

USED ON	CLASSIFICATION					CAD DRAWING NOT TO BE CHANGED MANUALLY			
	A0/8673	SIZE	DRG.No.	ISSUE	SIZE	DRG.No.	ISSUE		
		DRG. LIST FOR A1/8951		2					
		ITEM LIST FOR A1/8951		2					
A1		8951	2						
A2		8952	2						
A3		8953	2						
		SPECIFICATION UK/SC/5168		CURRENT					
							2	26-07-05	CS 2333
						1	14-10-92		
						ISSUE	DATE	MOD No	
ISSUE	DATE	MOD No	ISSUE	DATE	MOD No	REFERENCE No A/S 2525-7			
APPROVED	CONTRACTOR					CERTIFIED	APP'D FOR INSPECTION		
J. CLARK						G.DAVIES	J. STANFORD		
CHECKED	A1-8951-DL-1					CLASSIFICATION			
DRT	DEFENCE CLOTHING IPT (DLO CAVERSFIELD)					CONTRACTORS DRAWING LIST REF			
DRAWN	TITLE					DRAWING LIST FOR			SHEET No 1 OF 1
AH	FRAME ASSEMBLY, RUCKSACK, LONG					A1/8951			
	NSN 8465-99-978-9222								

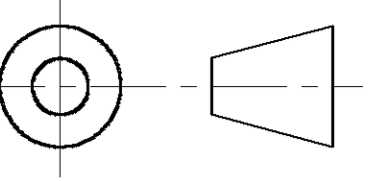
CLASSIFICATION

DRAWING PRODUCED TO BS.8888 AND ASSOCIATED STANDARDS ALL BURRS & SHARP EDGES TO BE REMOVED

CAD DRAWING NOT TO BE CHANGED MANUALLY

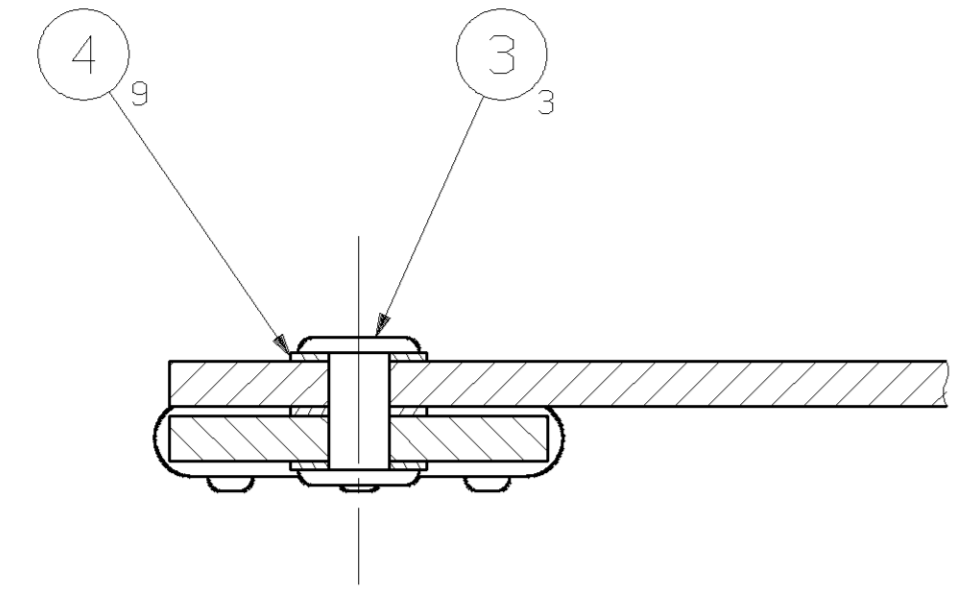
DO NOT SCALE

3RD. ANGLE PROJECTION



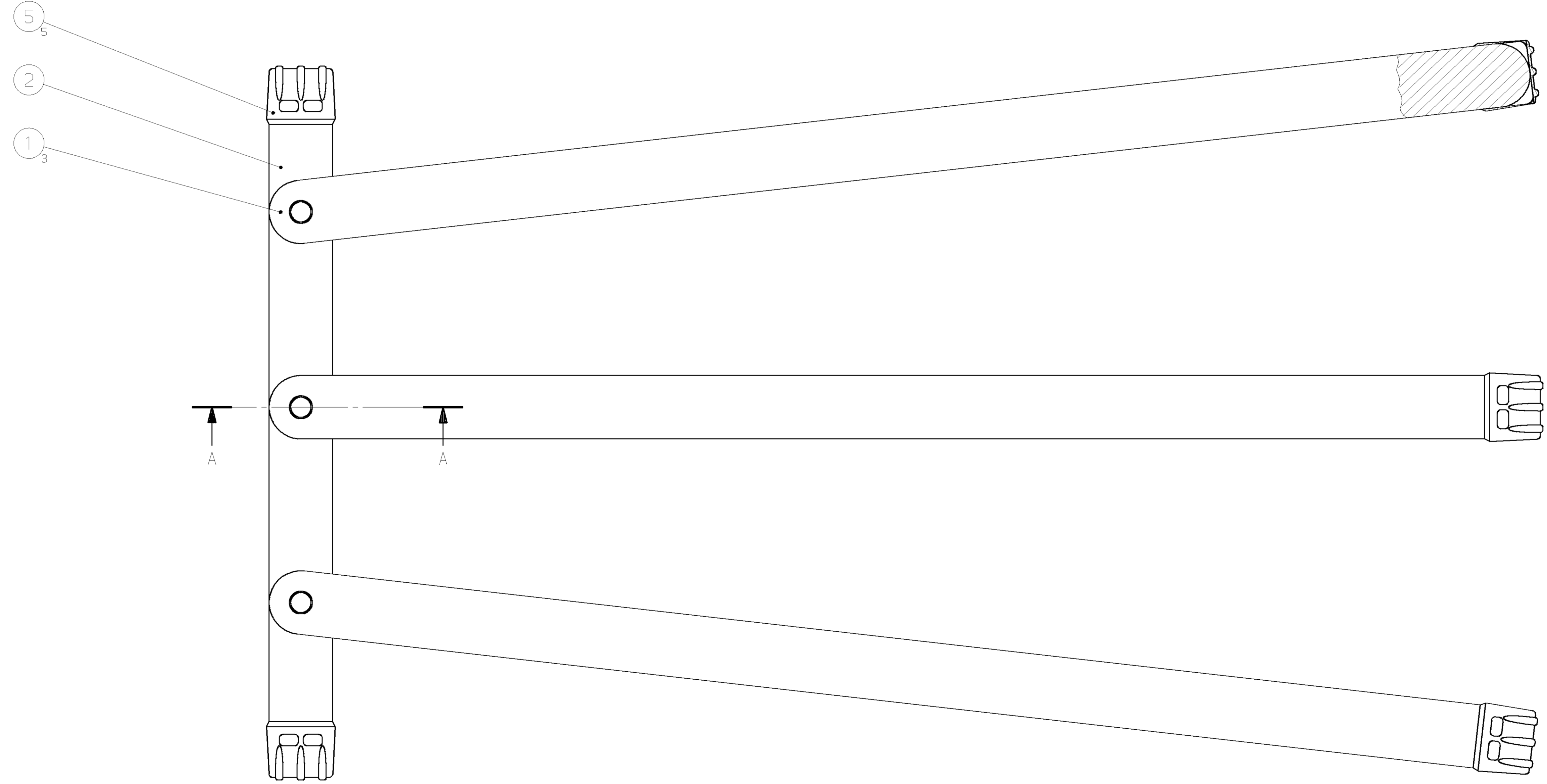
USED ON

A0/8673



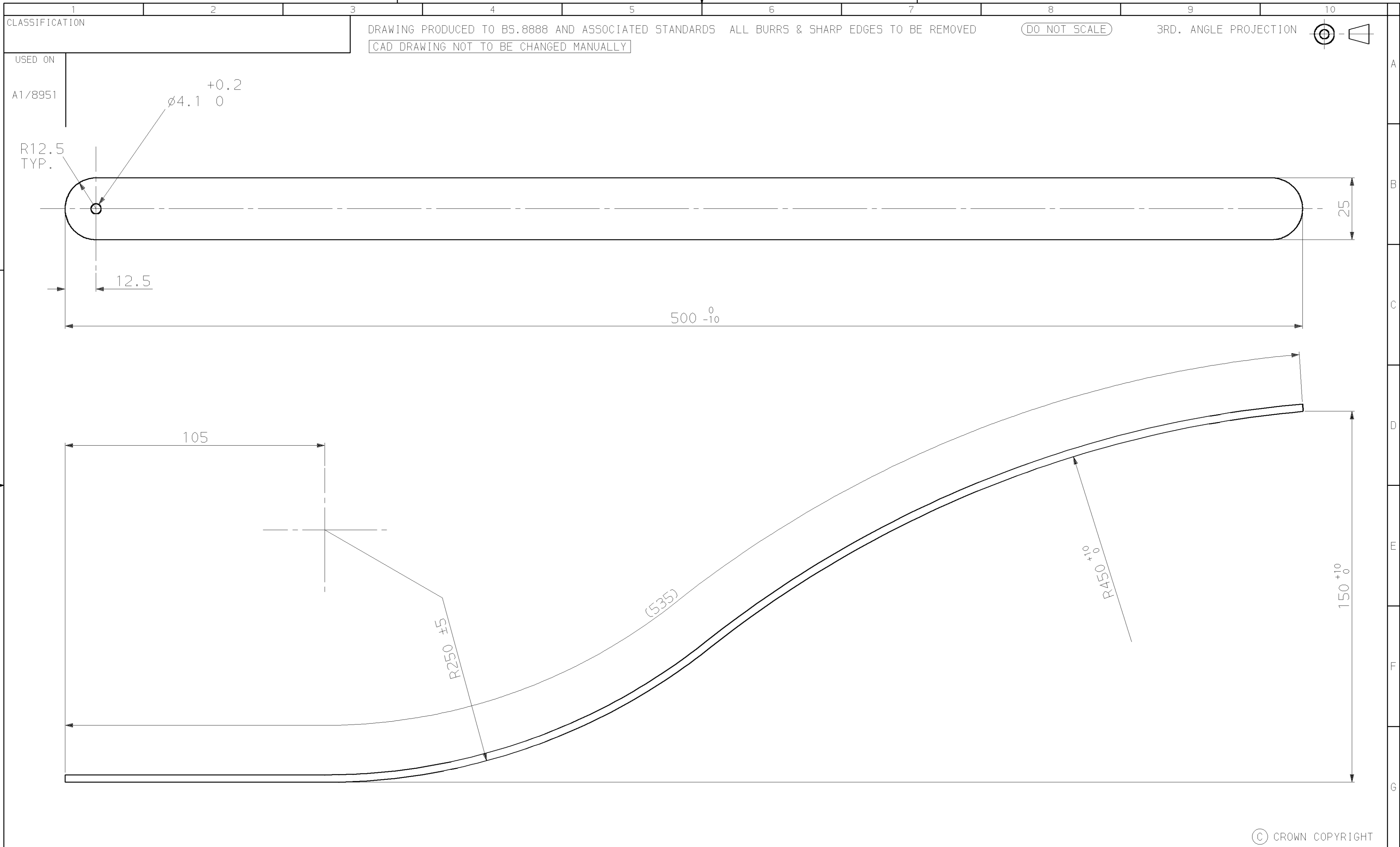
SECTION A-A
SCALE 2:1

NOTE: 1) SUPPORT TO MOVE FREELY AFTER RIVETING
2) FERRULE TO BE ADHERED TO SUPPORT WITH SUITABLE ADHESIVE



© CROWN COPYRIGHT

APPROVED J. CLARK							MATERIAL SEE SPECIFICATION UK/SC/5168	TOLERANCES NONE	DIMENSIONS IN MILLIMETRES	CONTRACTOR A1-8951	CLASSIFICATION
CHECKED DRT							FINISH SEE SPECIFICATION UK/SC/5168	UNLESS OTHERWISE STATED	ORIGINAL SCALE 1:1	DEFENCE CLOTHING IPT (DLO CAVERSFIELD)	CONTRACTORS DRAWING NO.
DRAWN AH	2 1	26-07-05 14-10-92	CS 2333				CERTIFIED G.DAVIES	APPROVED FOR INSPECTION D.BLACBURN	REFERENCE No A/S 2525-7	TITLE FRAME ASSEMBLY, RUCKSACK, LONG	DRAWING NO. A1/8951
	ISSUE	DATE	MOD NO.	ISSUE	DATE	MOD NO.				NSN 8465-99-978-9222	SHEET No 1 OF 1

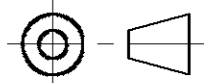


CLASSIFICATION

DRAWING PRODUCED TO BS.8888 AND ASSOCIATED STANDARDS ALL BURRS & SHARP EDGES TO BE REMOVED
 CAD DRAWING NOT TO BE CHANGED MANUALLY

DO NOT SCALE

3RD. ANGLE PROJECTION



USED ON
A1/8951

R12.5
TYP.

∅4.1 ^{+0.2}/₀

12.5

500 ⁰/₋₁₀

25

105

R250 ±5

(535)

R450 ⁰/₊₁₀

150 ⁰/₊₁₀

© CROWN COPYRIGHT

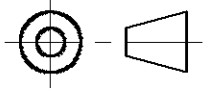
APPROVED							MATERIAL	TOLERANCES	CONTRACTOR	CLASSIFICATION
J. CLARK							ALUMINIUM ALLOY 3mm THICK, TO BS EN 573-3 EN AW-6082 T6	±1 UNLESS OTHERWISE STATED		
CHECKED							FINISH	DIMENSIONS IN MILLIMETRES	A2-8952	CONTRACTORS DRG.No.
DRT							NONE	ORIGINAL SCALE 1:1	DEFENCE CLOTHING IPT (DLO CAVERSFIELD)	
DRAWN	2	26-07-05	CS 2333				CERTIFIED	REFERENCE No	SUPPORT, LONG	DRG.No.
AH	1	14-10-92					G.DAVIES	A/S 2525-7		A2/8952
	ISSUE	DATE	MOD No	ISSUE	DATE	MOD No	APP'D FOR INSPECTION	NSN *		SHEET
							D.BLACKBURN			No 1
										OF 1

CLASSIFICATION

DRAWING PRODUCED TO BS.8888 AND ASSOCIATED STANDARDS
 ALL BURRS & SHARP EDGES TO BE REMOVED

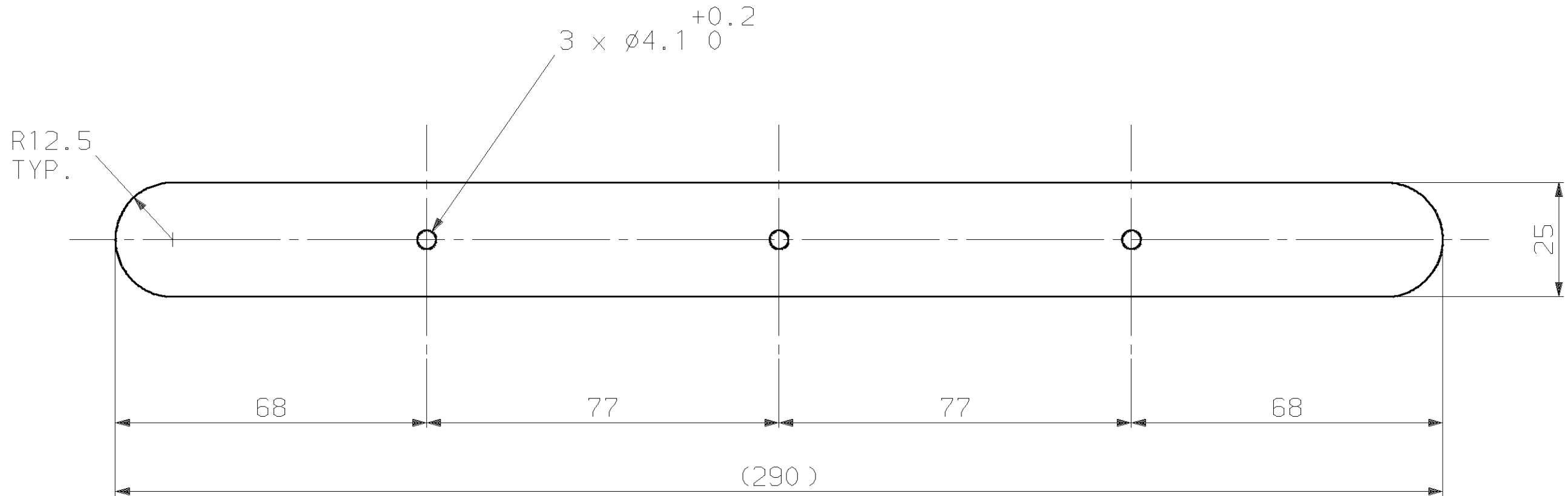
DO NOT SCALE

3RD. ANGLE PROJECTION



USED ON
 A1/8951
 A1/8954

CAD DRAWING NOT TO BE CHANGED MANUALLY



© CROWN COPYRIGHT

APPROVED				MATERIAL	TOLERANCES	CONTRACTOR	CLASSIFICATION
J. CLARK				ALUMINIUM ALLOY 3mm THICK TO BS EN 573-3 EN AW-6082 T6	± 0.5 UNLESS OTHERWISE STATED		
CHECKED				FINISH	DIMENSIONS IN mm	A3-8953	CONTRACTORS DRG.No.
DRT				NONE	ORIGINAL SCALE 1:1	DEFENCE CLOTHING IPT (DLO CAVERSFIELD)	
DRAWN	2	26-07-05	CS 2333	CERTIFIED	REFERENCE No	STAY	DRG.No.
AH	1	14-10-92		G.DAVIES	A/S 2525-7		A3/8953
	ISSUE	DATE	MOD No	APP'D FOR INSPECTION		NSN *	SHEET
				D.BLACKBURN			No 1 OF 1