

USED ON	CLASSIFICATION											
	REFERENCE No.			TITLE					COLUMN			
	8465-99-978-9220			RUCKSACK, LONG BACK (CON) D.P.M. IRR					A			
	8465-99-978-9221			RUCKSACK, SHORT BACK (CON) D.P.M. IRR					B			
	SIZE	DRAWING No	ISSUE				SIZE	DRAWING No	ISSUE			
			A	B	C	D			A	B	C	D
		DRAWING LIST FOR A0/8673 SHEET 1	12	12				ITEM LIST FOR A0/8676 SHEET 1	1	1		
		DRAWING LIST FOR A0/8673 SHEET 2	10	10				ITEM LIST FOR A0/8676 SHEET 2	1	1		
		DRAWING LIST FOR A0/8673 SHEET 3	2	2				ITEM LIST FOR A0/8676 SHEET 3	1	1		
		ITEM LIST FOR A0/8673 SHEET 1	5	5			A0	8676	4	4		
		ITEM LIST FOR A0/8673 SHEET 2	6	6								
	A0	8673	8	8				ITEM LIST FOR A0/8681 SHEET 1		4		
								ITEM LIST FOR A0/8681 SHEET 2		4		
								ITEM LIST FOR A0/8681 SHEET 3		2		
		DRAWING LIST FOR A1/8951 & ALL DRAWINGS	CURRENT				A0	8681		4		
							ITEM LIST FOR A0/8684 SHEET 1		5			
	DRAWING LIST FOR A1/8954 & ALL DRAWINGS	CURRENT					ITEM LIST FOR A0/8684 SHEET 2		3			
						A0	8684		5			
	ITEM LIST FOR A0/8675 SHEET 1	4					ITEM LIST FOR A0/8685 SHEET 1	1	1			
	ITEM LIST FOR A0/8675 SHEET 2	4					ITEM LIST FOR A0/8685 SHEET 2	1	1			
	ITEM LIST FOR A0/8675 SHEET 3	2				A0	8685	6	6			
A0	8675	3										
							12	25-07-05	CS 2329			
							11	07-03-97	CS 2047			
							ISSUE	DATE	MOD No			
ISSUE	DATE	MOD No	ISSUE	DATE	MOD No	REFERENCE No	A/S 2450					
APPROVED	CONTRACTOR					CERTIFIED	APP'D FOR INSPECTION					
M.KILBURN						G.FULLAGAR	R.LAZENBY					
CHECKED	AO-8673-DL-1					CLASSIFICATION						
JWR	DEFENCE CLOTHING IPT (DLO CAVERSFIELD)					CONTRACTORS DRAWING LIST REF						
DRAWN	TITLE					DRAWING LIST FOR					SHEET No 1 OF 3	
JWR	RUCKSACK LONG AND SHORT BACK '90 PATTERN EQUIPMENT					A0/8673						
	NSN SEE TABLE											

USED ON	CLASSIFICATION											
	REFERENCE No.			TITLE					COLUMN			
	8465-99-978-9220			RUCKSACK, LONG BACK (CON) D.P.M. IRR					A			
	8465-99-978-9221			RUCKSACK, SHORT BACK (CON) D.P.M. IRR					B			
	SIZE	DRAWING No	ISSUE				SIZE	DRAWING No	ISSUE			
			A	B	C	D			A	B	C	D
		ITEM LIST FOR A0/8686	1	1				ITEM LIST FOR A1/8677	1			
	A0	8686	6	6			A1	8677	4			
		ITEM LIST FOR A0/8690	1					ITEM LIST FOR A1/8678	1			
	A0	8690	5				A1	8678	4			
		ITEM LIST FOR A0/8692	1	1				ITEM LIST FOR A1/8679	1	1		
	A0	8692	4	4			A1	8679	4	4		
		ITEM LIST FOR A0/8700 SHEET 1		5				ITEM LIST FOR A1/8680		2		
		ITEM LIST FOR A0/8700 SHEET 2		3			A1	8680		4		
	A0	8700		6				ITEM LIST FOR A1/8682		1		
	ITEM LIST FOR A0/8702		1			A1	8682		4			
A0	8702		5				ITEM LIST FOR A1/8683		1			
	ITEM LIST FOR A1/8674	2				A1	8683		4			
A1	8674	4										
							10	25-07-05	CS 2329			
							9	07-03-97	CS 2047			
							ISSUE	DATE	MOD No			
ISSUE	DATE	MOD No	ISSUE	DATE	MOD No	REFERENCE No	A/S 2450					
APPROVED	CONTRACTOR					CERTIFIED	APP'D FOR INSPECTION					
M.KILBURN						G.FULLAGAR	R.LAZENBY					
CHECKED	AO-8673-DL-2					CLASSIFICATION						
JWR	DEFENCE CLOTHING IPT (DLO CAVERSFIELD)					CONTRACTORS DRAWING LIST REF						
DRAWN	RUCKSACK LONG AND SHORT BACK '90 PATTERN EQUIPMENT					DRAWING LIST FOR					SHEET No 2 OF 3	
JWR	NSN SEE TABLE					A0/8673						

USED ON	CLASSIFICATION										
	REFERENCE No.		TITLE							COLUMN	
	8465-99-978-9220		RUCKSACK, LONG BACK (CON) D.P.M. IRR							A	
	8465-99-978-9221		RUCKSACK, SHORT BACK (CON) D.P.M. IRR							B	
SIZE	DRAWING No	ISSUE				SIZE	DRAWING No	ISSUE			
		A	B	C	D			A	B	C	D
	ITEM LIST FOR A1/8687	1	1			A0	8696	3			
A1	8687	6	6			A0	8697	3	3		
						A0	8698	3	3		
	ITEM LIST FOR A1/8693	1	1			A0	8701 SHEET 1		4		
A1	8693	4	4			A0	8701 SHEET 2		2		
						A0	8703		4		
	ITEM LIST FOR A1/8694	1				A0	8705		3		
A1	8694	4				A0	8706		3		
	ITEM LIST FOR A1/8704		1			A1	8695	3			
A1	8704		4			A1	8699	4			
						A1	8707		4		
	ITEM LIST FOR A1/8708	1	1								
A1	8708	1	1				SPECIFICATION UK/SC/5168		CURRENT		
A0	8688 SHEET 1	4									
A0	8688 SHEET 2	2									
A0	8689	4	4								
A0	8691	4									
							2	25-07-05	CS 2329		
							1	07-03-97	CS 2047		
							ISSUE	DATE	MOD No		
ISSUE	DATE	MOD No	ISSUE	DATE	MOD No	REFERENCE No	A/S 2450				
APPROVED	CONTRACTOR					CERTIFIED	APP'D FOR INSPECTION				
M.KILBURN						G.FULLAGAR	R.LAZENBY				
CHECKED	A0-8673-DL-3					CLASSIFICATION					
JWR	DEFENCE CLOTHING IPT (DLO CAVERSFIELD)					CONTRACTORS DRAWING LIST REF					
DRAWN	TITLE					DRAWING LIST FOR					
JWR	RUCKSACK LONG AND SHORT BACK '90 PATTERN EQUIPMENT					A0/8673					
	NSN SEE TABLE					SHEET No 3 OF 3					

USED ON	CLASSIFICATION							
	REFERENCE No.	TITLE				COLUMN		
	8465-99-978-9220	RUCKSACK, LONG BACK (CON) D.P.M. IRR				A		
	8465-99-978-9221	RUCKSACK, SHORT BACK (CON) D.P.M. IRR				B		
	ITEM	DRG.No.	NAME	No. OFF				REMARKS
				A	B	C	D	
	1	A1/8674	BACK ASSEMBLY (LONG)	1				ITEM LIST
	2	A1/8680	BACK ASSEMBLY (SHORT)		1			ITEM LIST
	3	A0/8675	FRONT ASSEMBLY (LONG)	1				ITEM LIST
	4	A0/8681	FRONT ASSEMBLY (SHORT)		1			ITEM LIST
5	A0/8676	TOP LID ASSEMBLY	1	1			ITEM LIST	
6	A1/8677	BASE ASSEMBLY (LONG)	1				ITEM LIST	
7	A1/8682	BASE ASSEMBLY (SHORT)		1			ITEM LIST	
8	A1/8678	SHROUD ASSEMBLY (LONG)	1				ITEM LIST	
9	A1/8683	SHROUD ASSEMBLY (SHORT)		1			ITEM LIST	
10	A1/8679	FRAME COVER ASSEMBLY	1	1			ITEM LIST	

REDRAWN AT ISSUE 5									
						5	25-07-05	CS 2329	
						ISSUE	DATE	MOD No	
ISSUE	DATE	MOD No	ISSUE	DATE	MOD No	REFERENCE No	A/S 2450		
APPROVED	CONTRACTOR				CERTIFIED		APP'D FOR INSPECTION		
M.KILBURN					G.FULLAGAR		R.LAZENBY		
CHECKED	AO-8673-IL-1				CLASSIFICATION				
JWR	DEFENCE CLOTHING IPT (DLO CAVERSFIELD)				CONTRACTORS ITEM LIST REF				
DRAWN	RUCKSACK LONG AND SHORT BACK '90 PATTERN EQUIPMENT				ITEM LIST FOR				SHEET No 1 OF 2
JWR	NSN SEE TABLE				A0/8673				





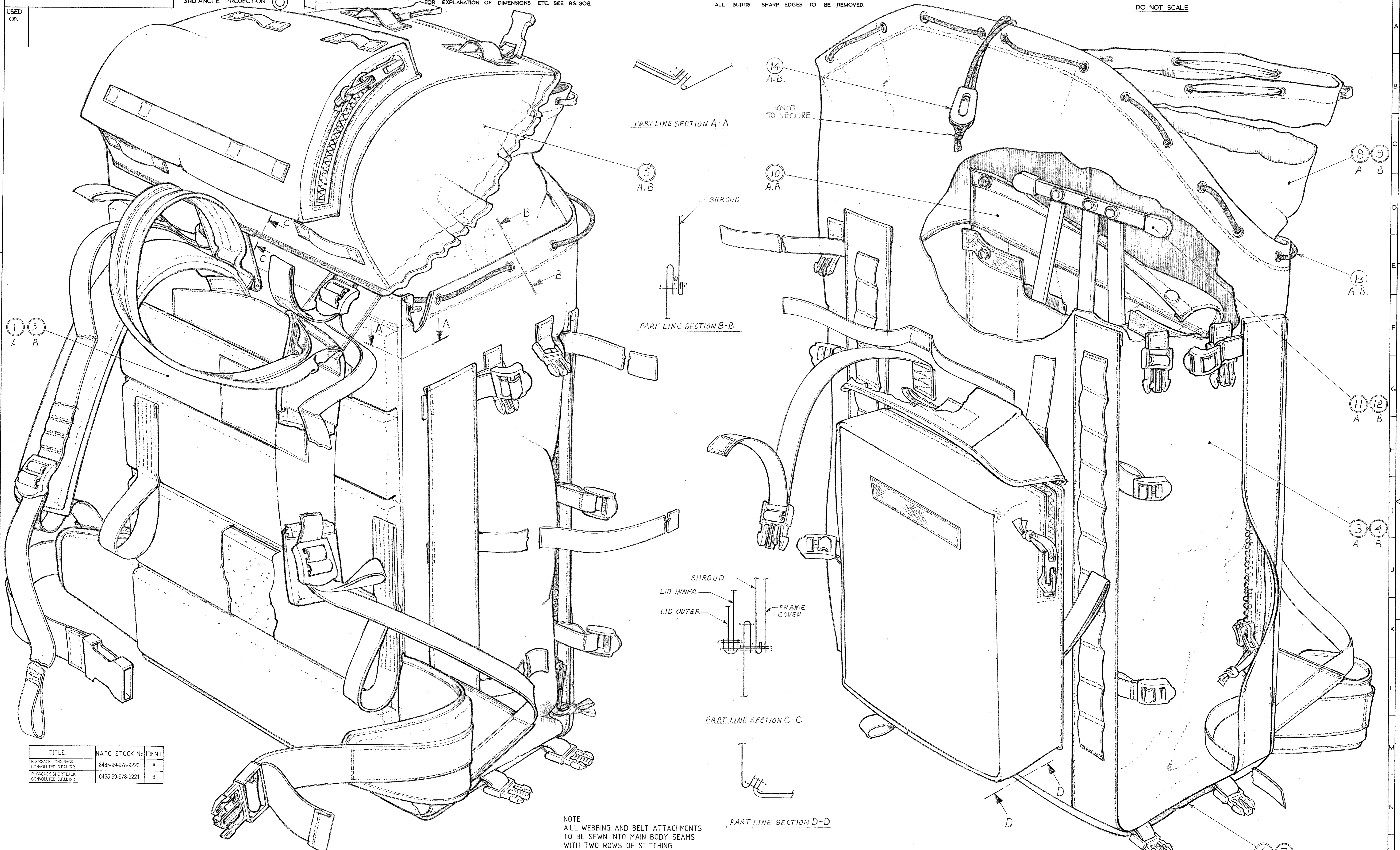
USED ON

3RD ANGLE PROJECTION

FOR EXPLANATION OF DIMENSIONS ETC. SEE BS. 308.

ALL BURRS SHARP EDGES TO BE REMOVED.

DO NOT SCALE



TITLE	NATO STOCK No	IDENT
RUCKSACK, LONG BACK CONVOLUTED, D.P.M. IRR	8465-99-978-9220	A
RUCKSACK, SHORT BACK CONVOLUTED, D.P.M. IRR	8465-99-978-9221	B

NOTE  
ALL WEBBING AND BELT ATTACHMENTS  
TO BE SEWN INTO MAIN BODY SEAMS  
WITH TWO ROWS OF STITCHING

APPROVED	8 7 6 5 4 3 2	25-07-05 23/9/93 5.10.92 21/9/92 18.9.91 8.1.91 5.11.90	CS 2329 CS 1870 CS 1755 CS 1750 CS 1688 CS 1633 CS 1512	APPROVED FOR INSPECTION <i>[Signature]</i>	MATERIAL SEE SPECIFICATION UK/SC/5168	FINISH	TOLERANCES	DIMENSIONS IN SCALE N.T.S.	CONTRACTOR STORES AND CLOTHING R & D ESTABLISHMENT	CLASSIFICATION
CHECKED	1	9-3-90	MOD. No.	CERTIFIED <i>[Signature]</i>			REFERENCE A/S 2450		TITLE RUCKSACK LONG & SHORT BACK '90 PATTERN EQUIPMENT	CONTRACTORS DRAWING No.
TRACED										DRAWING No A0/8673



USED ON	CLASSIFICATION					CAD DRAWING NOT TO BE CHANGED MANUALLY		
	A0/8673	SIZE	DRG.No.	ISSUE	SIZE	DRG.No.	ISSUE	
		DRG. LIST FOR A1/8954		2				
		ITEM LIST FOR A1/8954		2				
A1		8954	2					
A2		8955	2					
A3		8953	2					
		SPECIFICATION UK/SC/5168		CURRENT				
						2	26-07-05	CS 2334
						1	14-10-92	
						ISSUE	DATE	MOD No
ISSUE	DATE	MOD No	ISSUE	DATE	MOD No	REFERENCE No A/S 2525-7		
APPROVED	CONTRACTOR				CERTIFIED		APP'D FOR INSPECTION	
J. CLARK					G. DAVIES		D. BLACKBURN	
CHECKED	A1-8954-DL-1				CLASSIFICATION			
DRT	DEFENCE CLOTHING IPT (DLO CAVERSFIELD)				CONTRACTORS DRAWING LIST REF			
DRAWN	TITLE				DRAWING LIST FOR			SHEET No 1 OF 1
AH	FRAME ASSEMBLY, RUCKSACK, SHORT				A1/8954			
	NSN 8465-99-978-9223							





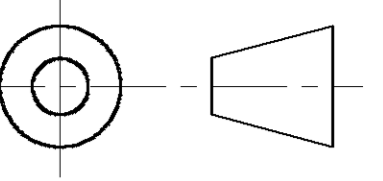
CLASSIFICATION

DRAWING PRODUCED TO BS.8888 AND ASSOCIATED STANDARDS ALL BURRS & SHARP EDGES TO BE REMOVED

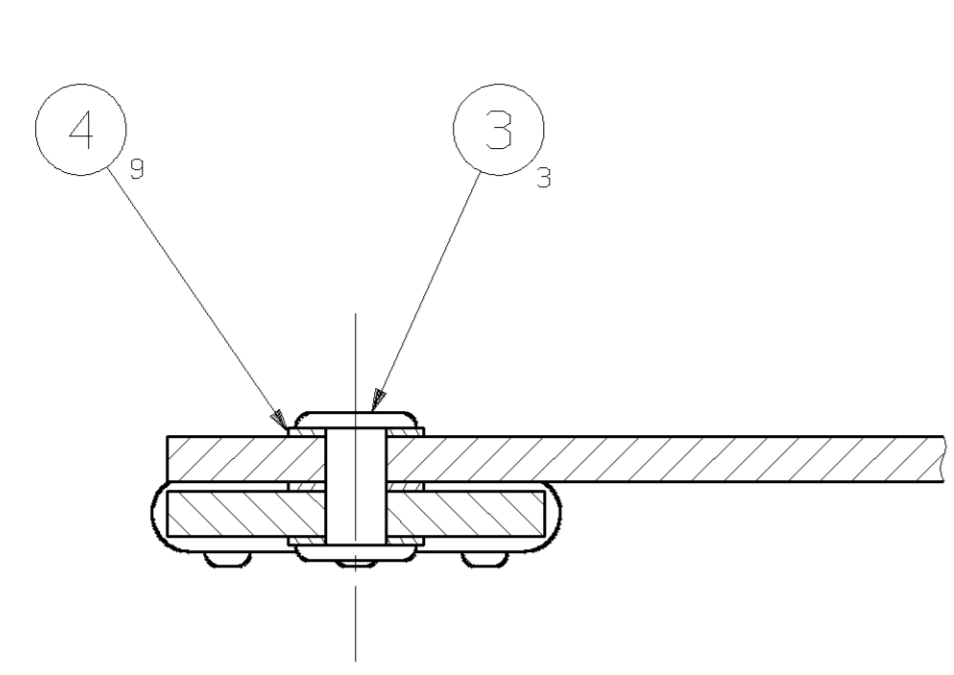
CAD DRAWING NOT TO BE CHANGED MANUALLY

DO NOT SCALE

3RD. ANGLE PROJECTION

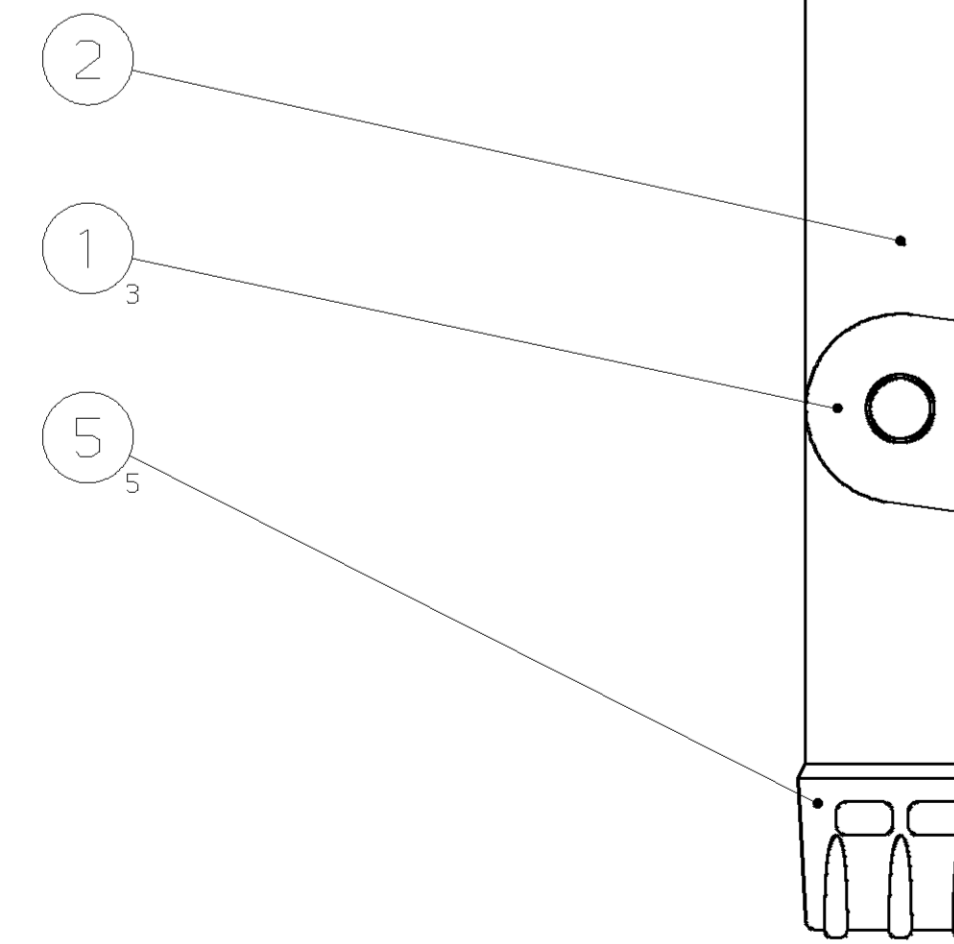
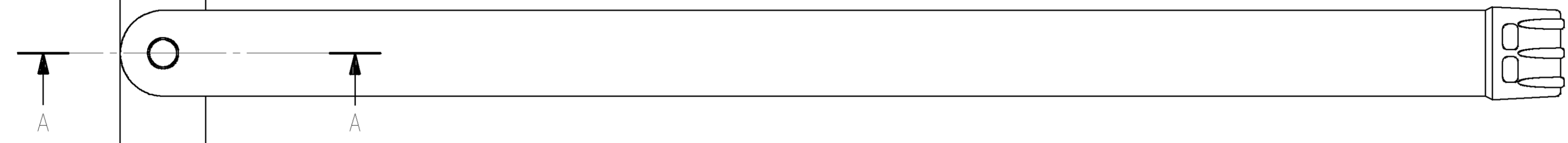
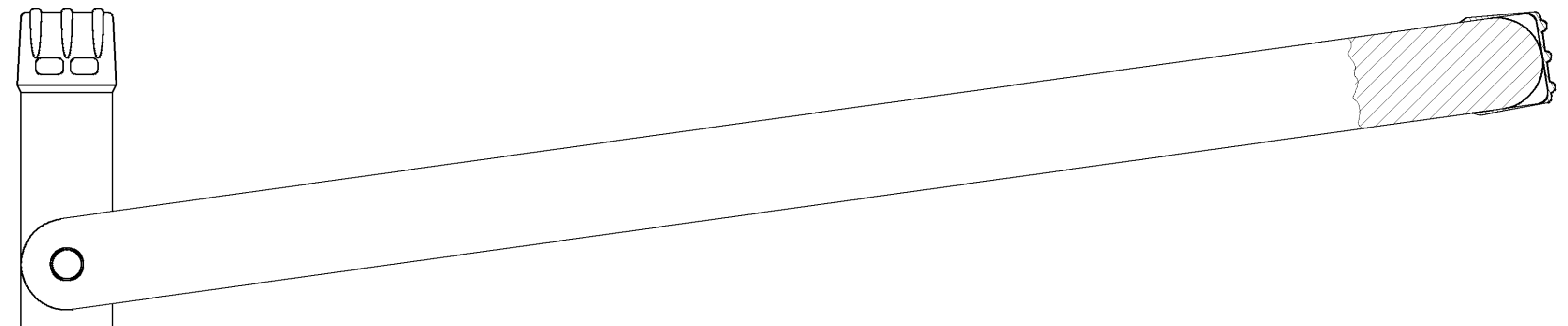
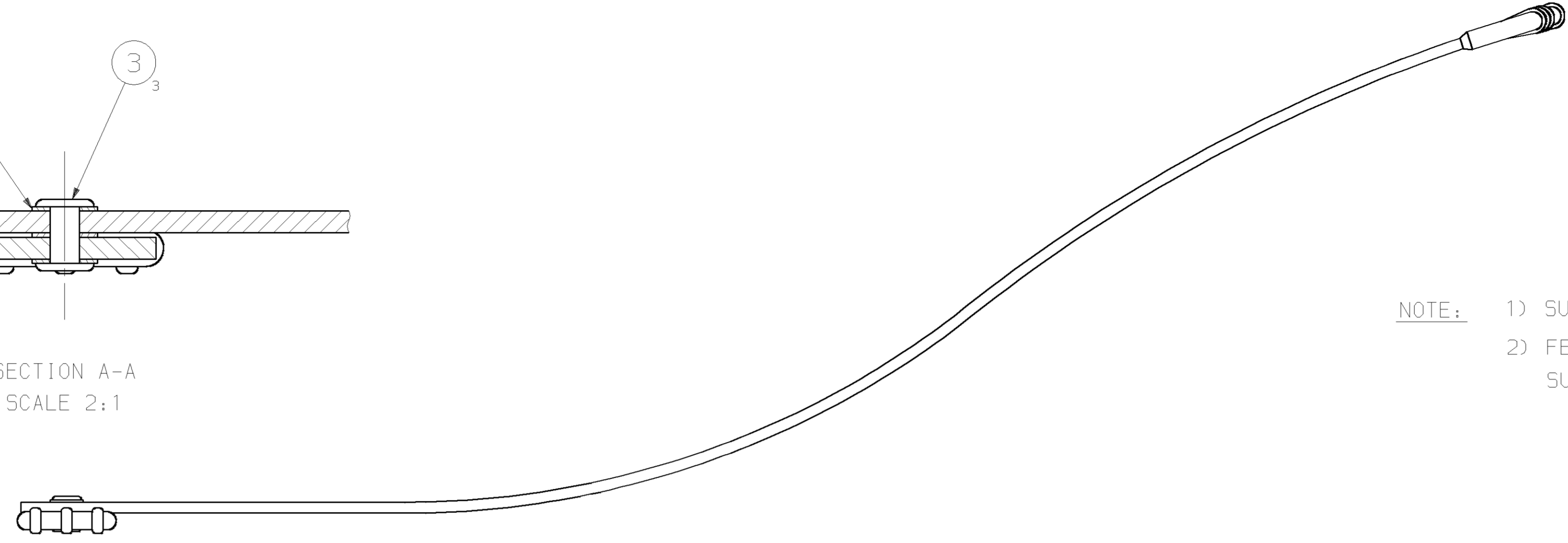


USED ON  
A0/8673



SECTION A-A  
SCALE 2:1

NOTE: 1) SUPPORT TO MOVE FREELY AFTER RIVETING  
2) FERRULE TO BE ADHERED TO SUPPORT WITH SUITABLE ADHESIVE



© CROWN COPYRIGHT

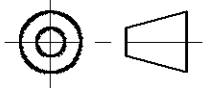
APPROVED J. CLARK							MATERIAL SEE SPECIFICATION UK/SC/5168	TOLERANCES NONE	DIMENSIONS IN MILLIMETRES	CONTRACTOR A1-8954	CLASSIFICATION
CHECKED DRT							FINISH SEE SPECIFICATION UK/SC/5168	UNLESS OTHERWISE STATED	ORIGINAL SCALE	DEFENCE CLOTHING IPT (DLO CAVERSFIELD)	CONTRACTORS DRAWING NO.
DRAWN AH	2 1	26-07-05 14-10-92	CS 2334				CERTIFIED G.DAVIES	APPROVED FOR INSPECTION D.BLACKBURN	REFERENCE No A/S 2525-7	TITLE FRAME ASSEMBLY, RUCKSACK, SHORT	DRAWING NO. A1/8954
	ISSUE	DATE	MOD NO.	ISSUE	DATE	MOD NO.				NSN 8465-99-978-9223	SHEET No 1 OF 1

CLASSIFICATION

DRAWING PRODUCED TO BS.8888 AND ASSOCIATED STANDARDS  
 ALL BURRS & SHARP EDGES TO BE REMOVED

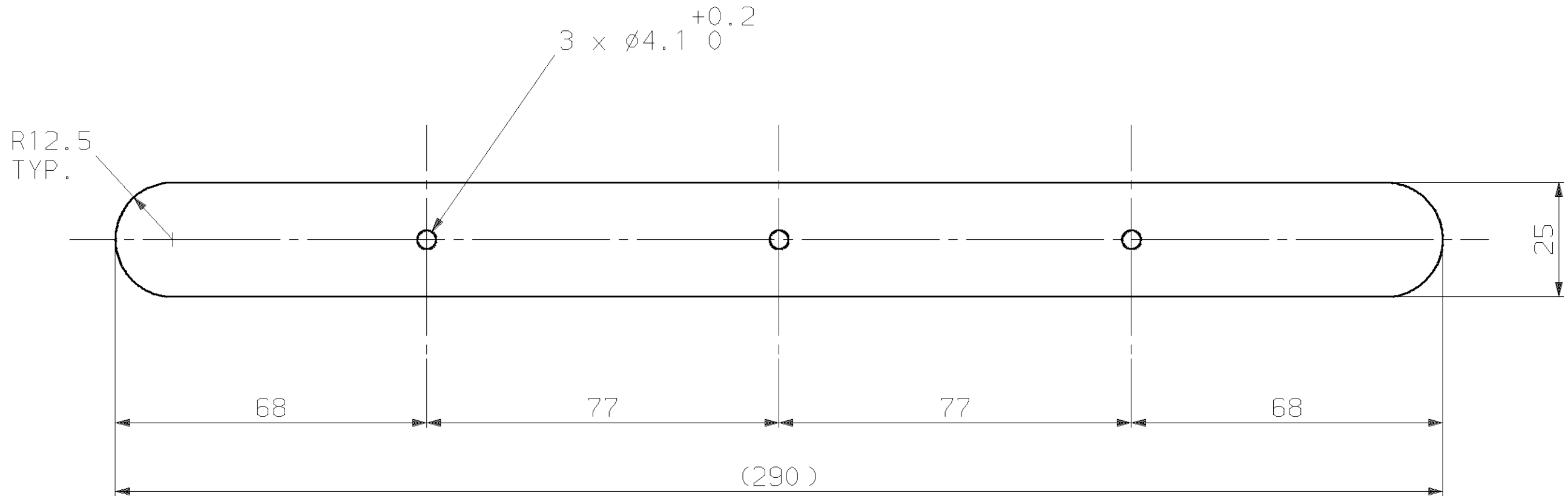
DO NOT SCALE

3RD. ANGLE PROJECTION



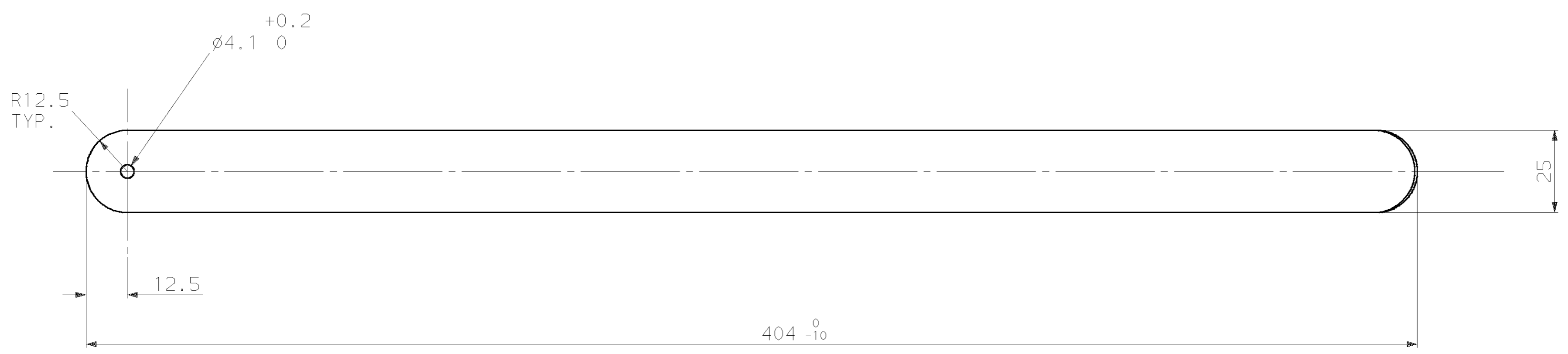
USED ON  
 A1/8951  
 A1/8954

CAD DRAWING NOT TO BE CHANGED MANUALLY



© CROWN COPYRIGHT

APPROVED				MATERIAL	TOLERANCES	CONTRACTOR	CLASSIFICATION
J. CLARK				ALUMINIUM ALLOY 3mm THICK TO BS EN 573-3 EN AW-6082 T6	±0.5 UNLESS OTHERWISE STATED		
CHECKED				FINISH	DIMENSIONS IN mm	A3-8953	CONTRACTORS DRG.No.
DRT				NONE	ORIGINAL SCALE 1:1	DEFENCE CLOTHING IPT (DLO CAVERSFIELD)	
DRAWN	2	26-07-05	CS 2333	CERTIFIED	REFERENCE No	STAY	DRG.No.
AH	1	14-10-92		G.DAVIES	A/S 2525-7		A3/8953
	ISSUE	DATE	MOD No	APP'D FOR INSPECTION		NSN *	SHEET
				D.BLACKBURN			No 1 OF 1



© CROWN COPYRIGHT

APPROVED							MATERIAL	TOLERANCES	CONTRACTOR	CLASSIFICATION
J. CLARK							ALUMINIUM ALLOY 3mm THICK TO BS EN 573-3 EN AW-6082 T6	±1 UNLESS OTHERWISE STATED	A2-8955	CONTRACTORS DRG.No.
CHECKED							FINISH	DIMENSIONS IN MILLIMETRES	DEFENCE CLOTHING IPT (DLO CAVERSFIELD)	
DRT							NONE	ORIGINAL SCALE 1:1	TITLE	
DRAWN	2	26-07-05	CS 2334				CERTIFIED	REFERENCE No	SUPPORT, SHORT	DRG.No.
AH	1	14-10-92					G.DAVIES	A/S 2525-7		A2/8955
ISSUE	DATE	MOD No	ISSUE	DATE	MOD No	APP'D FOR INSPECTION		NSN *		
						D.BLACKBURN				

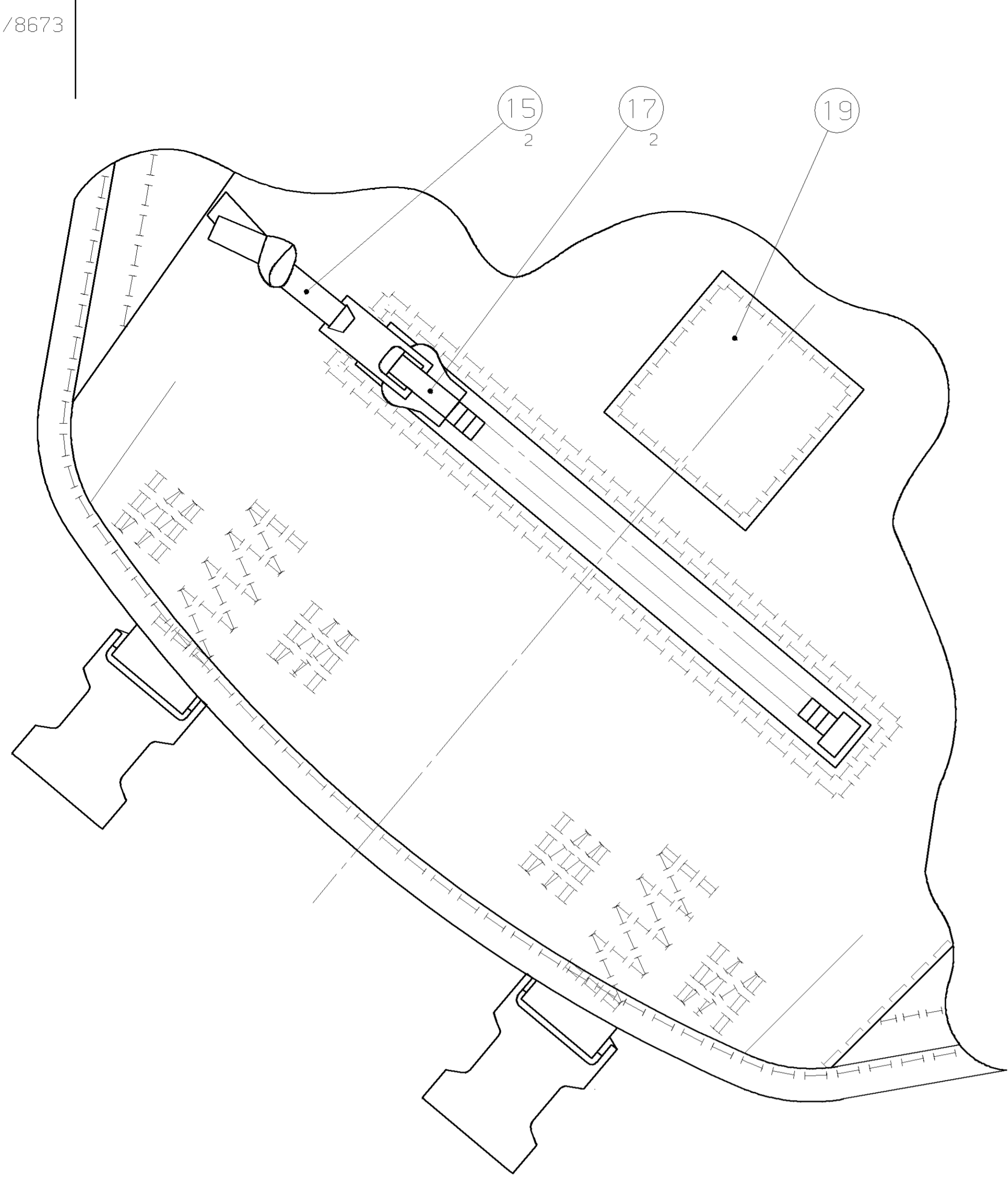
USED ON  A0/8673	CLASSIFICATION		CAD DRAWING NOT TO BE CHANGED MANUALLY		
	ITEM	DRG.No.	NAME	No. OFF	REMARKS
	1	A0/8697	PANEL A, CLOTH COATED PU ON NYLON, PATT No.8725C	1	
	2	A0/8697	PANEL B, CLOTH COATED PU ON NYLON, PATT No.8725C	1	
	3	A0/8698	PANEL C, CLOTH COATED PU ON NYLON, PATT No.8725C	1	
	4	A0/8698	PANEL D, CLOTH COATED PU ON NYLON, PATT No.8725C	1	
	5	A0/8698	PANEL E, CLOTH COATED PU ON NYLON, PATT No.8725C	1	
	6	A0/8698	PANEL F, CLOTH COATED PU ON NYLON, PATT No.8725C	1	
	7	A0/8698	PANEL G, CLOTH COATED PU ON NYLON, PATT No.8725C	1	

						1	25-07-05	CS 2329	
						ISSUE	DATE	MOD No	
ISSUE	DATE	MOD No	ISSUE	DATE	MOD No	REFERENCE No	A/S 2450		
APPROVED M.KILBURN	CONTRACTOR					CERTIFIED G.FULLAGAR	APP'D FOR INSPECTION R.LAZENBY		
CHECKED JWR	AO-8676-IL-1					CLASSIFICATION			
DRAWN JWR	DEFENCE CLOTHING IPT (DLO CAVERSFIELD)					CONTRACTORS ITEM LIST REF			
	TITLE RUCKSACK LONG AND SHORT 90 PATTERN, TOP LID ASSEMBLY					ITEM LIST FOR A0/8676			SHEET No 1 OF 3
	NSN *								

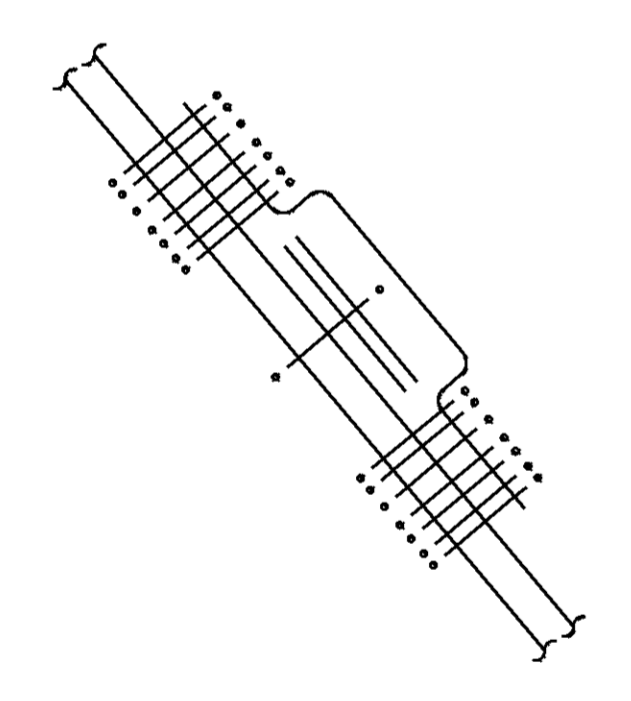
USED ON		CLASSIFICATION				CAD DRAWING NOT TO BE CHANGED MANUALLY			
A0/8673	ITEM	DRG.No.	NAME			No. OFF	REMARKS		
	8	A0/8698	PANEL H, CLOTH COATED PU ON NYLON, PATT No.8725C			1			
	9	A0/8698	PANEL J, CLOTH COATED PU ON NYLON, PATT No.8725C			1			
	10	N.D.	WEBBING, 25mm WIDE, PATT No.9350F			1	CUT LENGTH 260mm		
	11	N.D.	WEBBING, 25mm WIDE, PATT No.9350F			2	CUT LENGTH 130mm		
	12	N.D.	WEBBING, 25mm WIDE, PATT No.9350F			2	CUT LENGTH 90mm		
	13	N.D.	WEBBING, 25mm WIDE, PATT No.9350F			4	CUT LENGTH 80mm		
	14	N.D.	TAPE TEXTILE, 19mm WIDE, PATT No.9447F			AS REQ.			
							1	25-07-05	CS 2329
							ISSUE	DATE	MOD No
	ISSUE	DATE	MOD No	ISSUE	DATE	MOD No	REFERENCE No	A/S 2450	
	APPROVED	CONTRACTOR				CERTIFIED		APP'D FOR INSPECTION	
	M.KILBURN					G.FULLAGAR		R.LAZENBY	
	CHECKED	AO-8676-IL-2				CLASSIFICATION			
	JWR	DEFENCE CLOTHING IPT (DLO CAVERSFIELD)				CONTRACTORS ITEM LIST REF			
	DRAWN	TITLE				ITEM LIST FOR			
JWR	RUCKSACK LONG AND SHORT 90 PATTERN, TOP LID ASSEMBLY				A0/8676				
		NSN *				SHEET		No 2 OF 3	



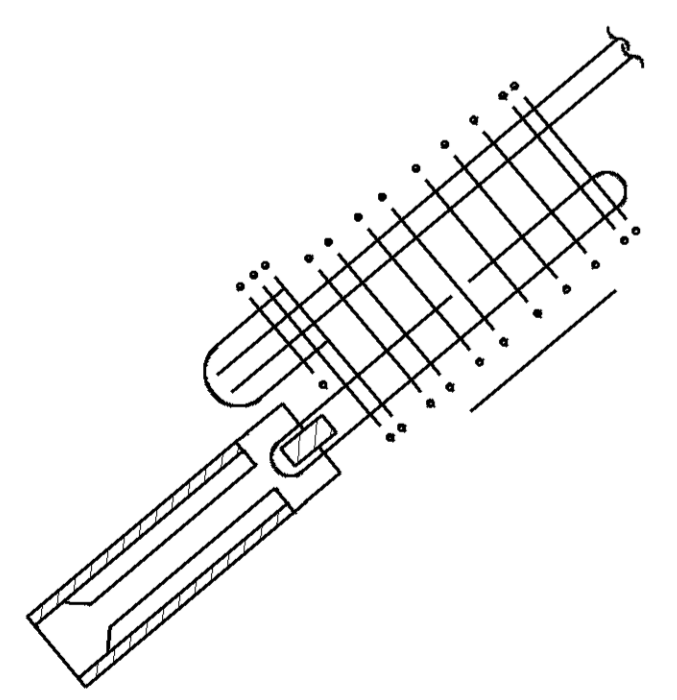
USED ON  A0/8673	CLASSIFICATION					CAD DRAWING NOT TO BE CHANGED MANUALLY		
A0/8673	ITEM	DRG.No.	NAME			No. OFF	REMARKS	
	15	N.D.	CORD BRAIDED, 7mm WIDE, PATT No.9505C			2	CUT LENGTH 200mm	
	16	N.D.	CORD, ELASTIC, ø3mm			2	CUT LENGTH 250mm	
	17	N.D.	SLIDE FASTENER, 19mm WIDE CLOSED END, 250mm LONG			2		
	18	N.D.	BUCKLE, SR 25, FEMALE			2		
	19	N.D.	MARKING LABEL			1	CUT SIZE 50mm x 50mm	
							1	25-07-05
ISSUE	DATE	MOD No	ISSUE	DATE	MOD No	REFERENCE No	A/S	2450
APPROVED M.KILBURN	CONTRACTOR				CERTIFIED G.FULLAGAR		APP'D FOR INSPECTION R.LAZENBY	
CHECKED JWR	AO-8676-IL-3 DEFENCE CLOTHING IPT (DLO CAVERSFIELD)				CLASSIFICATION			
DRAWN JWR	TITLE RUCKSACK LONG AND SHORT 90 PATTERN, TOP LID ASSEMBLY				CONTRACTORS ITEM LIST REF			
NSN *					ITEM LIST FOR <b>A0/8676</b>			SHEET No 3 OF 3



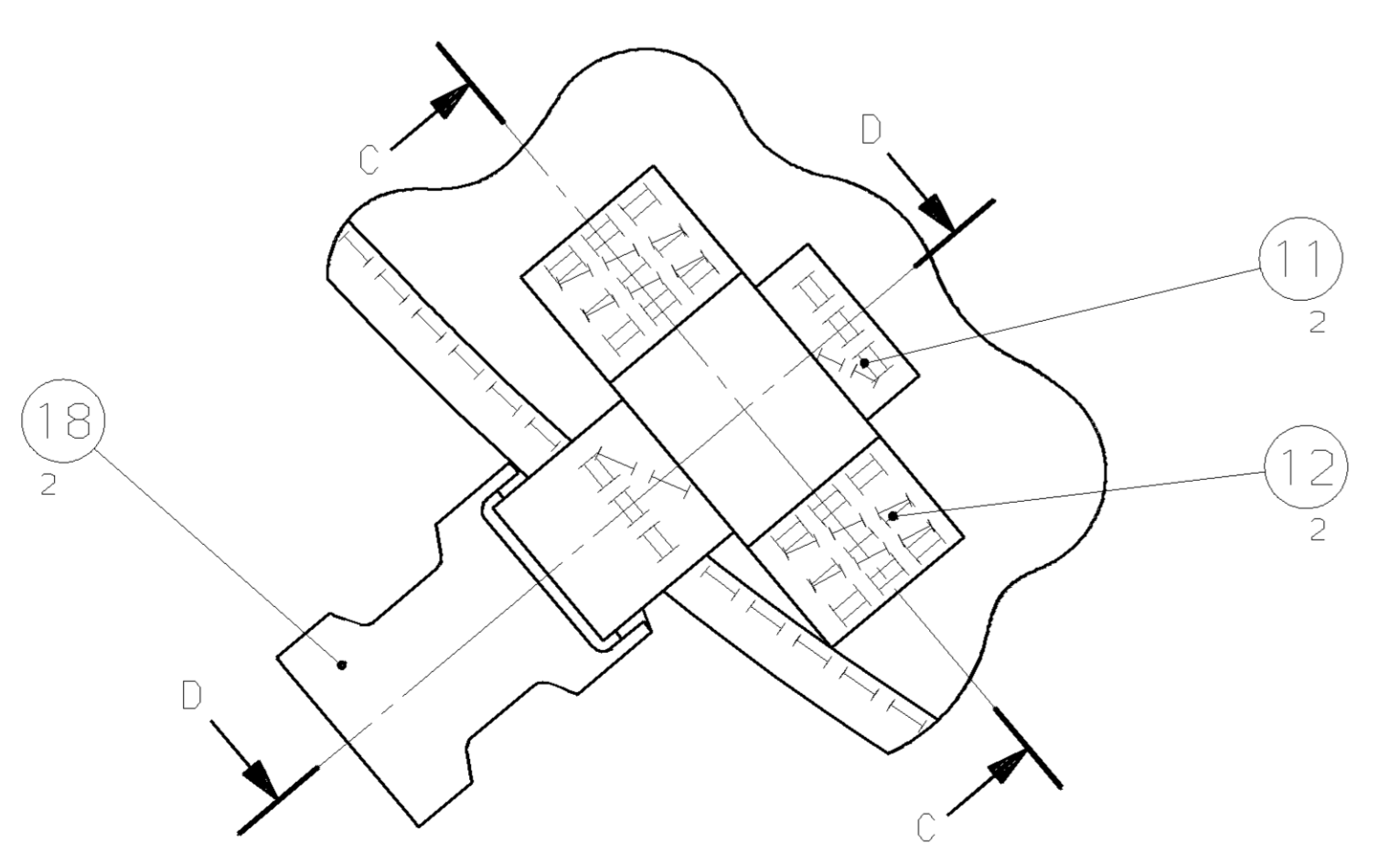
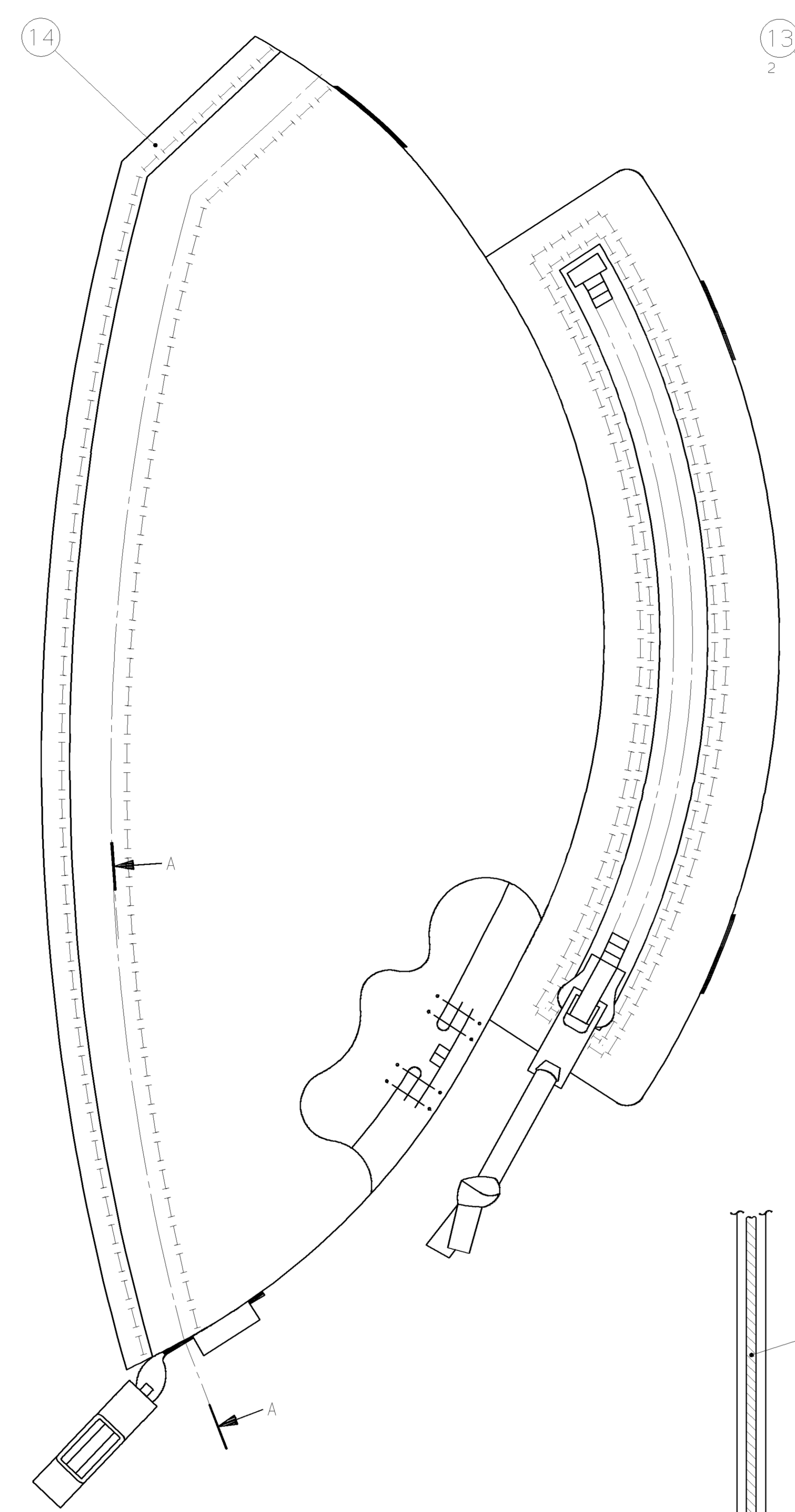
PART VIEW SHOWING DETAILS OF SLIDE FASTENER AND STITCHING



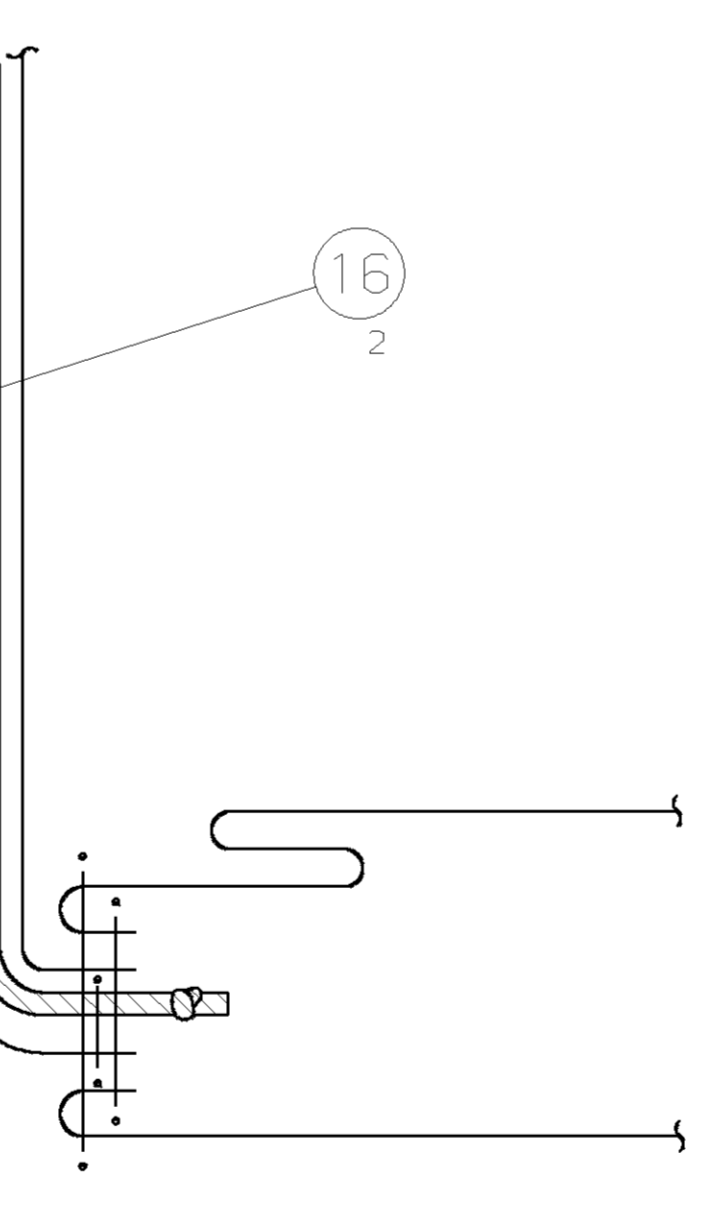
LINE SECTION C-C



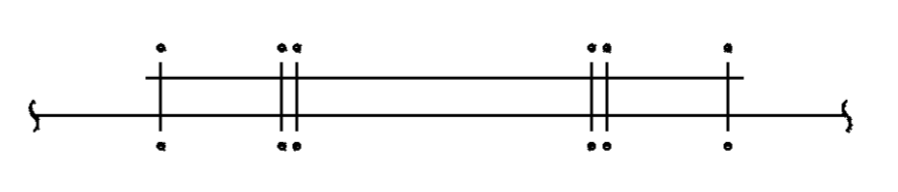
LINE SECTION D-D



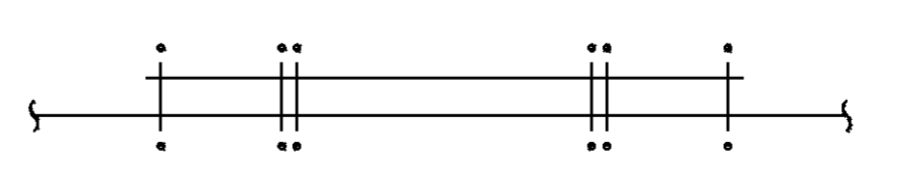
PART VIEW SHOWING STITCHING DETAIL



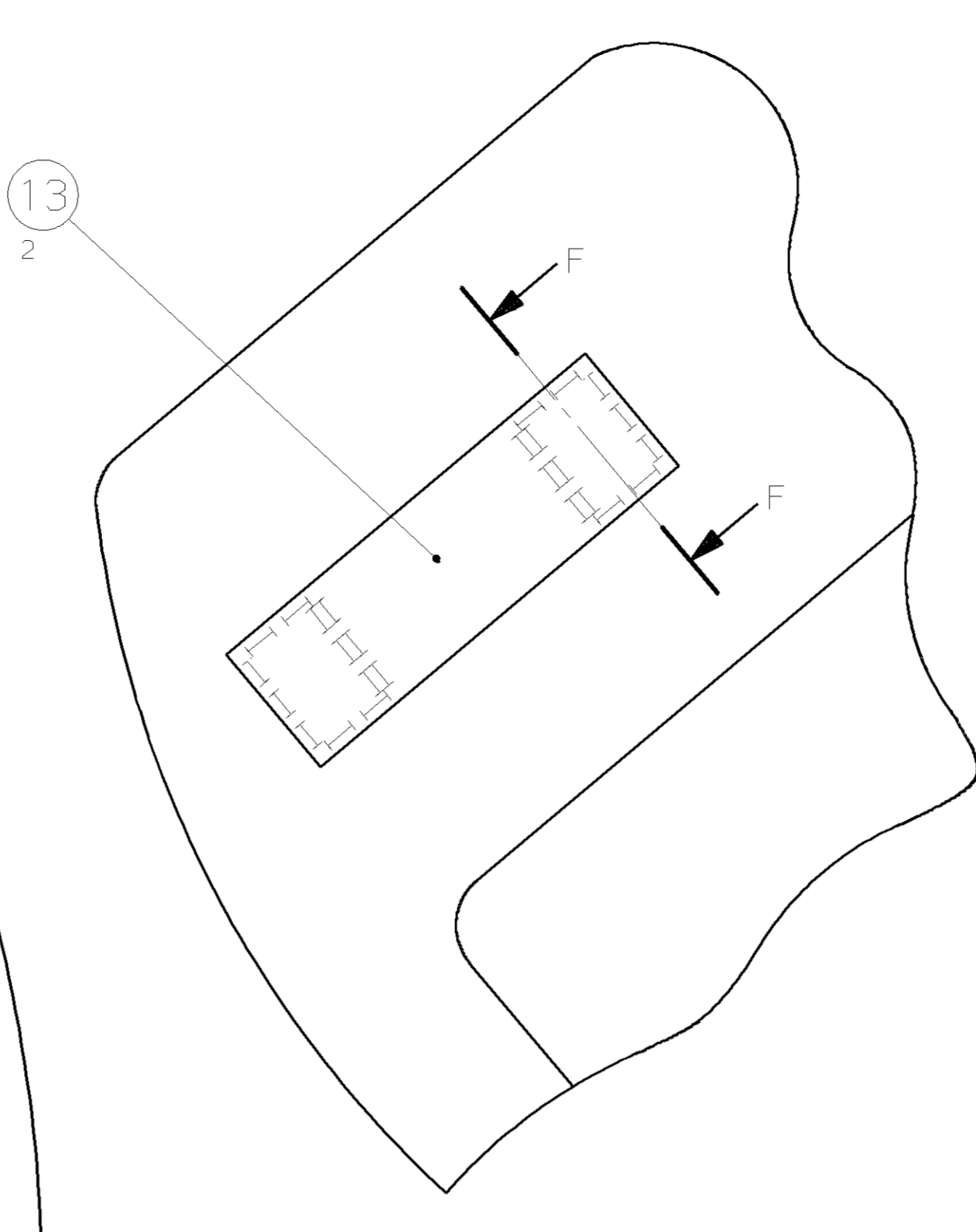
LINE SECTION A-A



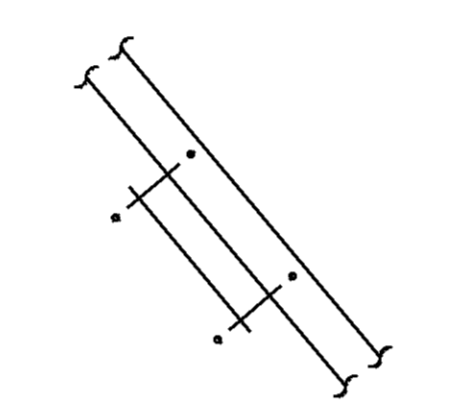
LINE SECTION E-E



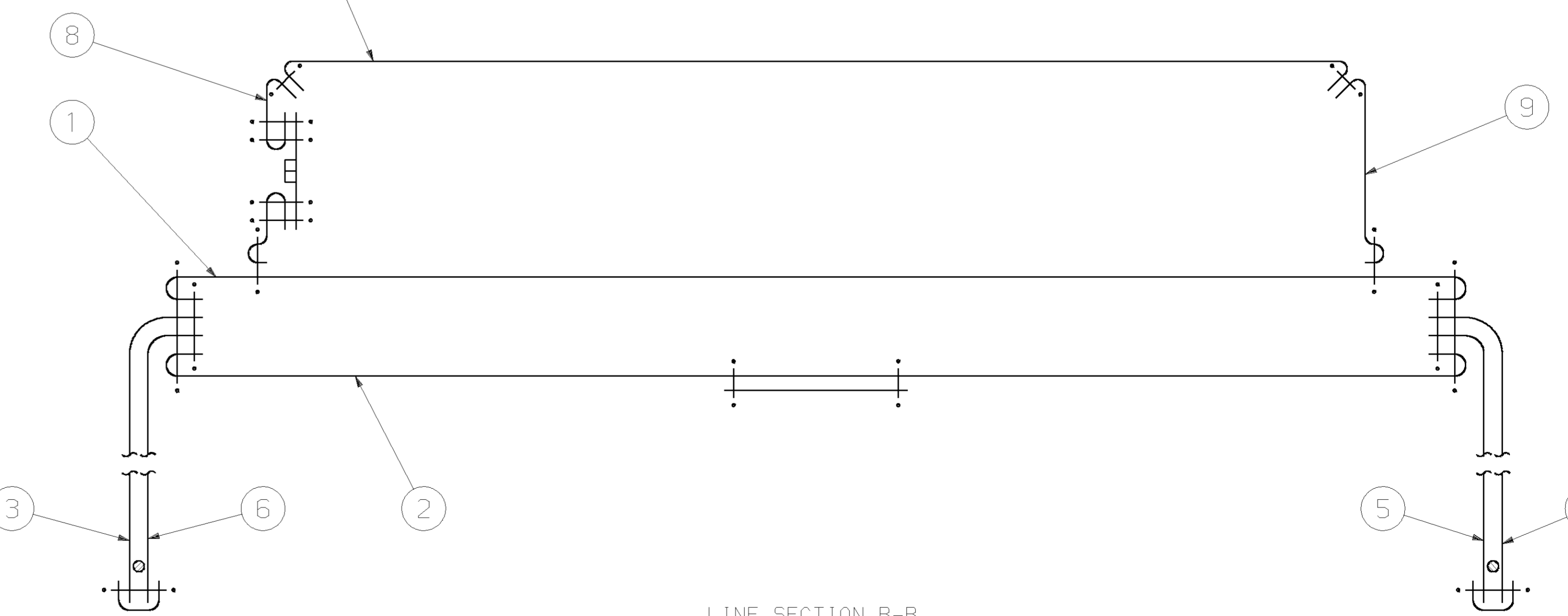
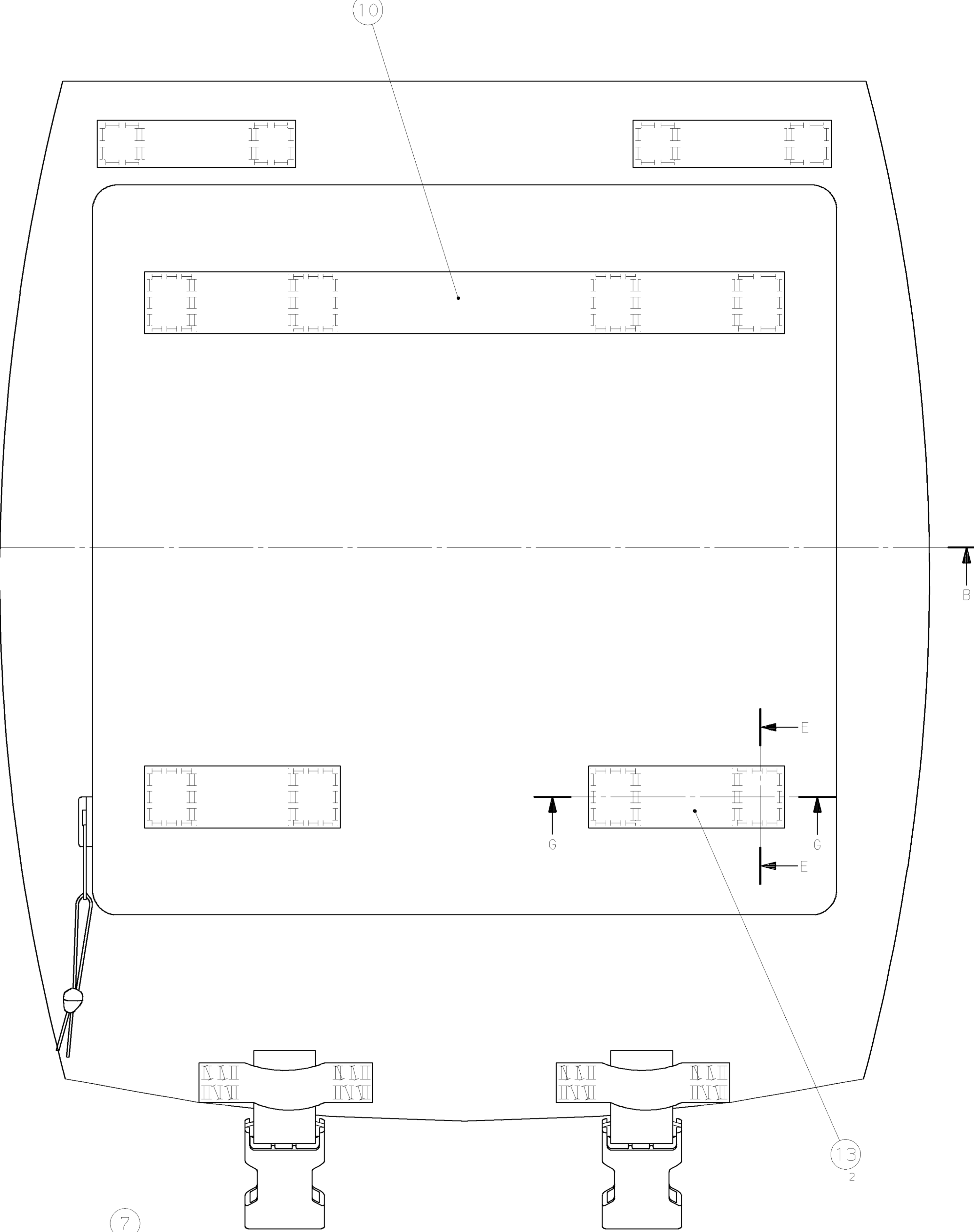
LINE SECTION G-G



PART VIEW SHOWING STITCHING DETAIL



LINE SECTION F-F



LINE SECTION B-B

STITCHING SHOWN THUS OR

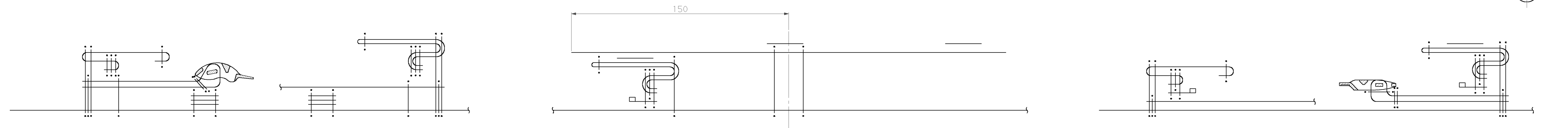
APPROVED M. KILBURN										CERTIFIED G. FULLAGAR	MATERIAL SEE SPECIFICATION UK/SC/5168	TOLERANCES NONE UNLESS OTHERWISE STATED	DIMENSIONS IN MILLIMETRES	CONTRACTOR DEFENCE CLOTHING IPT (DLO CAVERSFIELD)	CLASSIFICATION
CHECKED JWR										APPROVED FOR INSPECTION R. LAZENBY	FINISH SEE SPECIFICATION UK/SC/5168	REFERENCE No A/S 2450	ORIGINAL SCALE 1:1	TITLE RUCKSACK LONG AND SHORT 90 PATTERN, TOP LID ASSEMBLY	CONTRACTORS DRAWING NO.
DRAWN JWR														DRAWING NO. A0/8676	SHEET No 1 OF 1
ISSUE	DATE	MOD NO.	ISSUE	DATE	MOD NO.	ISSUE	DATE	MOD NO.	ISSUE	DATE	MOD NO.				
4	25-07-05	CS 2329													

USED ON		CLASSIFICATION				CAD DRAWING NOT TO BE CHANGED MANUALLY			
A0/8673	ITEM	DRG.No.	NAME			No. OFF	REMARKS		
	1	A0/8692	RUCKSACK LONG AND SHORT 90 PATTERN FRONT POCKET ASSEMBLY AND PANELS			1	ITEM LIST		
	2	A1/8693	RUCKSACK LONG AND SHORT 90 PATTERN FRONT POCKET LID ASSEMBLY AND PANELS			1	ITEM LIST		
	3	A1/8704	ZIP COVER ASSEMBLY WITH WEBBING, RIGHT HAND			1	ITEM LIST		
	4	A1/8704	ZIP COVER ASSEMBLY WITH WEBBING, LEFT HAND			1	ITEM LIST		
	5	A1/8704	ZIP COVER ASSEMBLY, RIGHT HAND			1	ITEM LIST		
	6	A1/8704	ZIP COVER ASSEMBLY, LEFT HAND			1	ITEM LIST		
	7	A0/8706	PANEL A, CLOTH COATED PU ON NYLON, PATT No.8725C			1			
							REDRAWN AT ISSUE 4		
							4	25-07-05	CS 2329
							ISSUE	DATE	MOD No
	ISSUE	DATE	MOD No	ISSUE	DATE	MOD No	REFERENCE No	A/S 2450	
	APPROVED	CONTRACTOR				CERTIFIED		APP'D FOR INSPECTION	
	M.KILBURN					G.FULLAGAR		R.LAZENBY	
CHECKED	AO-8681-IL-1				CLASSIFICATION				
JWR	DEFENCE CLOTHING IPT (DLO CAVERSFIELD)				CONTRACTORS ITEM LIST REF				
DRAWN	RUCKSACK SHORT 90 PATTERN, FRONT ASSEMBLY				ITEM LIST FOR			SHEET No 1 OF 3	
JWR	NSN *				A0/8681				

USED ON  A0/8673	CLASSIFICATION					CAD DRAWING NOT TO BE CHANGED MANUALLY			
	ITEM	DRG.No.	NAME			No. OFF	REMARKS		
	8	N.D.	WEBBING, 25mm WIDE,			2	CUT LENGTH		
			PATT No.9350F				400mm		
	9	N.D.	WEBBING, 25mm WIDE,			2	CUT LENGTH		
			PATT No.9350F				200mm		
	10	N.D.	WEBBING, 25mm WIDE,			2	CUT LENGTH		
			PATT No.9350F				850mm		
	11	N.D.	WEBBING, 19mm WIDE,			4	CUT LENGTH		
			PATT No.9350F				400mm		
	12	N.D.	WEBBING, 19mm WIDE,			4	CUT LENGTH		
			PATT No.9350F				200mm		
	13	N.D.	WEBBING, 19mm WIDE,			4	CUT LENGTH		
			PATT No.9350F				100mm		
	14	N.D.	WEBBING, 19mm WIDE,			4	CUT LENGTH		
			PATT No.9350F				80mm		
						REDRAWN AT ISSUE 4			
							4	25-07-05	CS 2329
ISSUE		DATE		MOD No		ISSUE	DATE	MOD No	
ISSUE		DATE		MOD No		REFERENCE No A/S 2450			
APPROVED	CONTRACTOR					CERTIFIED		APP'D FOR INSPECTION	
M.KILBURN						G.FULLAGAR		R.LAZENBY	
CHECKED	AO-8681-IL-2					CLASSIFICATION			
JWR	DEFENCE CLOTHING IPT (DLO CAVERSFIELD)					CONTRACTORS ITEM LIST REF			
DRAWN	RUCKSACK SHORT 90					ITEM LIST FOR			SHEET No 2 OF 3
JWR	PATTERN, FRONT ASSEMBLY					A0/8681			
		NSN *							

USED ON A0/8673	CLASSIFICATION					CAD DRAWING NOT TO BE CHANGED MANUALLY		
	ITEM	DRG.No.	NAME			No. OFF	REMARKS	
15	N.D.	WEBBING, 25mm WIDE,			2	CUT LENGTH		
		PATT No.9350F				240mm		
16	N.D.	WEBBING, 25mm WIDE,			1	CUT LENGTH		
		PATT No.9350F				230mm		
17	N.D.	TAPE TEXTILE, 19mm WIDE,			1	CUT LENGTH		
		PATT No.9447F				300mm		
18	N.D.	BUCKLE SLL 25			2			
19	N.D.	BUCKLE LL 20			4			
20	N.D.	BUCKLE SR 20, MALE			8			
21	N.D.	BUCKLE SR 25, MALE			2			
22	N.D.	EYELET AND WASHER,			12			
		REF NO 2A/000/2B						
					REDRAWN AT ISSUE 4			
						4	25-07-05	CS 2329
						ISSUE	DATE	MOD No
ISSUE	DATE	MOD No	ISSUE	DATE	MOD No	REFERENCE No	A/S 2450	
APPROVED M.KILBURN	CONTRACTOR				CERTIFIED G.FULLAGAR		APP'D FOR INSPECTION R.LAZENBY	
CHECKED JWR	AO-8681-IL-3				CLASSIFICATION			
DRAWN JWR	DEFENCE CLOTHING IPT (DLO CAVERSFIELD)				CONTRACTORS ITEM LIST REF			
TITLE				RUCKSACK SHORT 90		ITEM LIST FOR		SHEET No 3 OF 3
NSN *				PATTERN, FRONT ASSEMBLY		A0/8681		



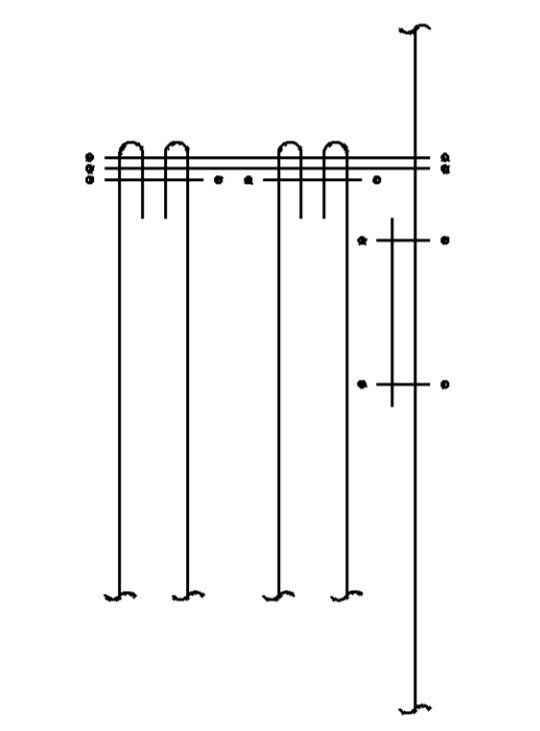
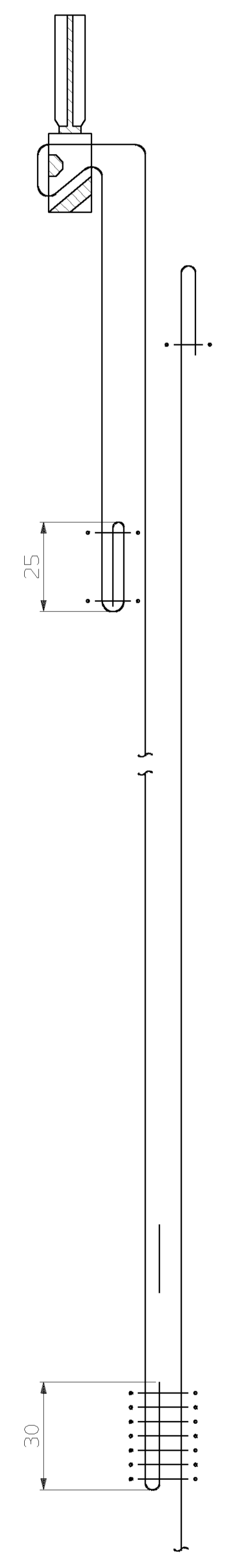
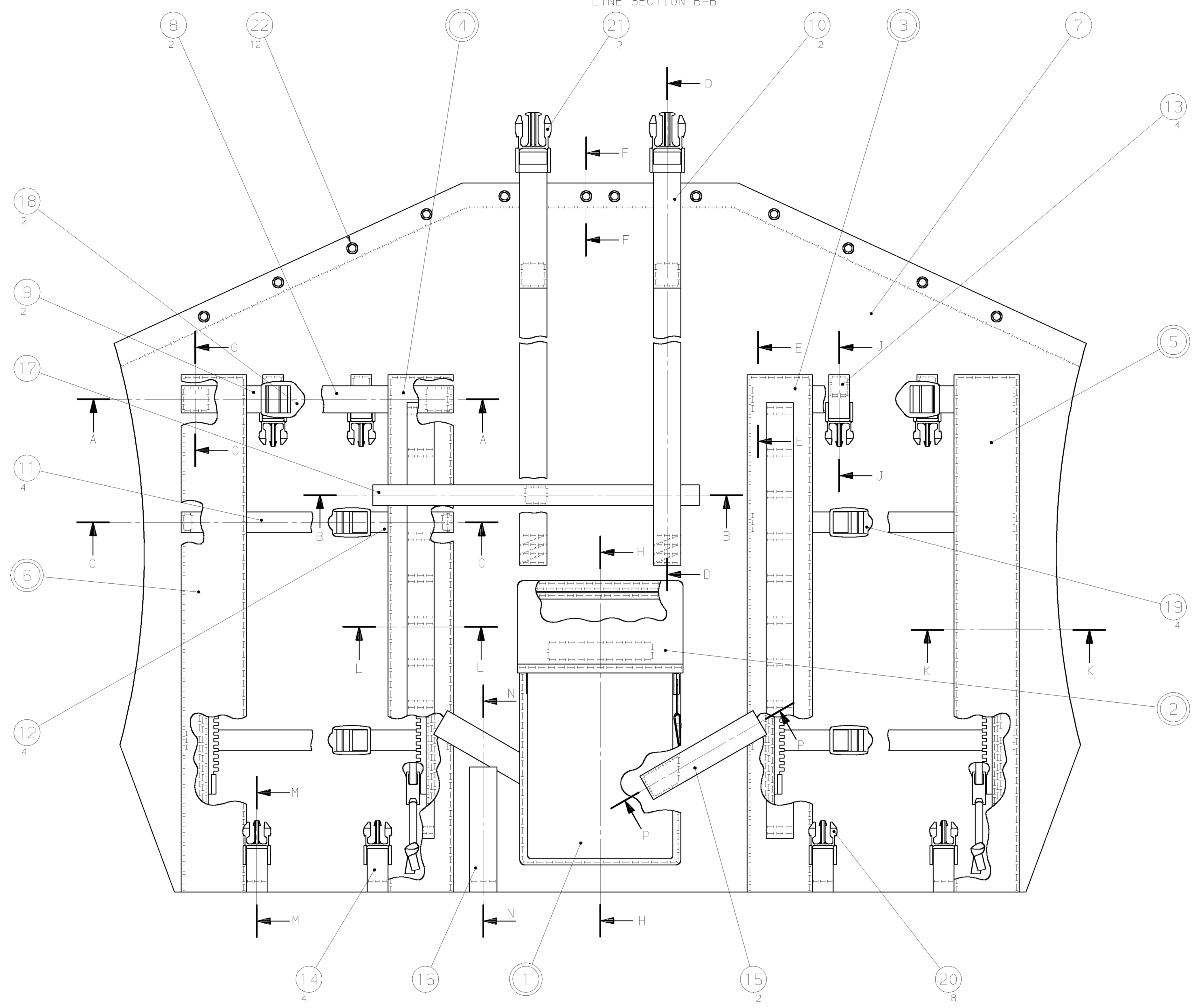


LINE SECTION A-A

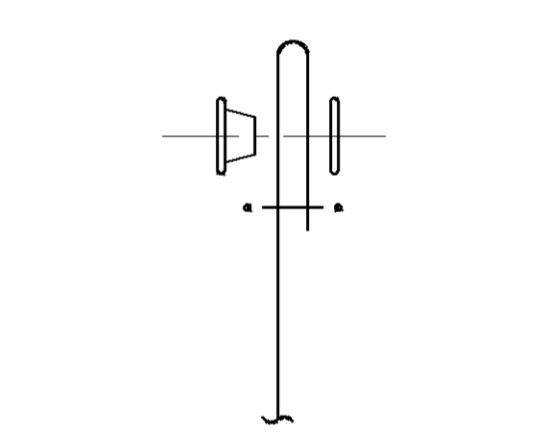
LINE SECTION B-B

LINE SECTION C-C

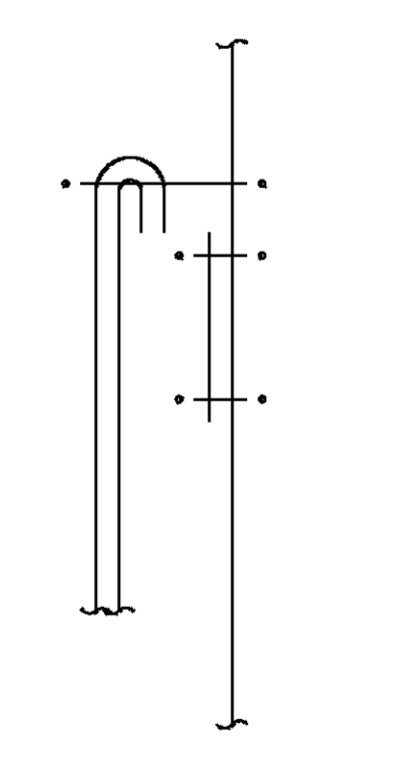
STITCHING SHOWN THUS OR



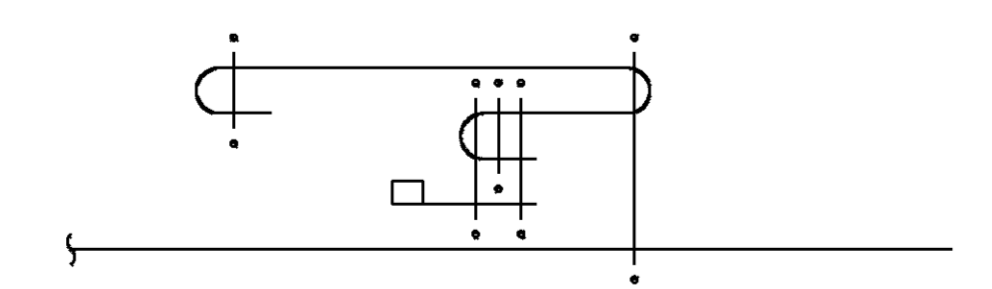
LINE SECTION E-E



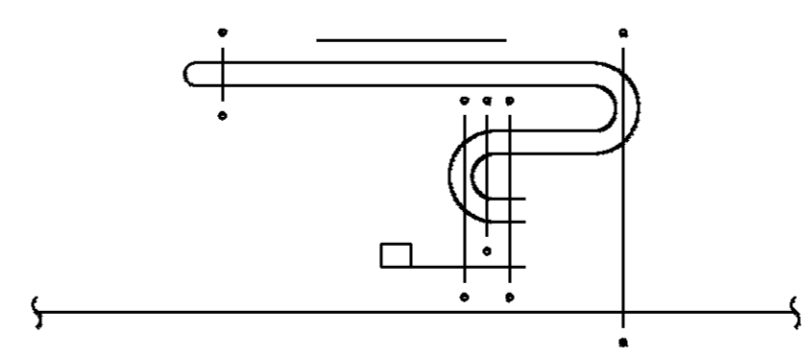
LINE SECTION F-F



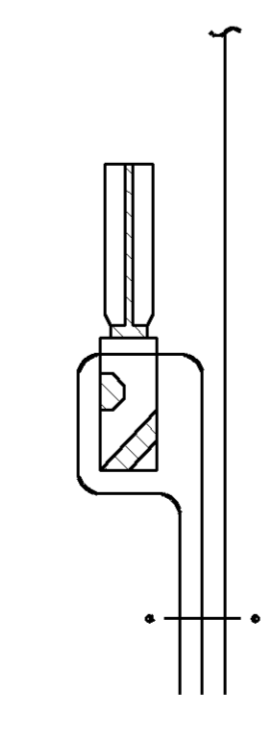
LINE SECTION G-G



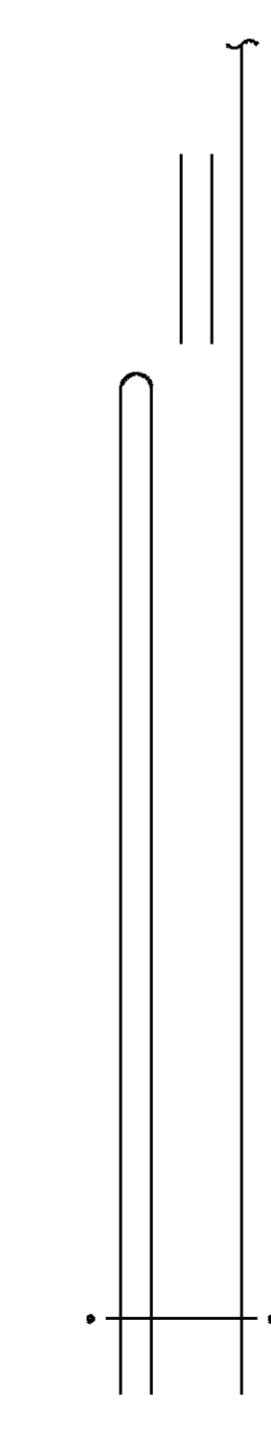
LINE SECTION K-K



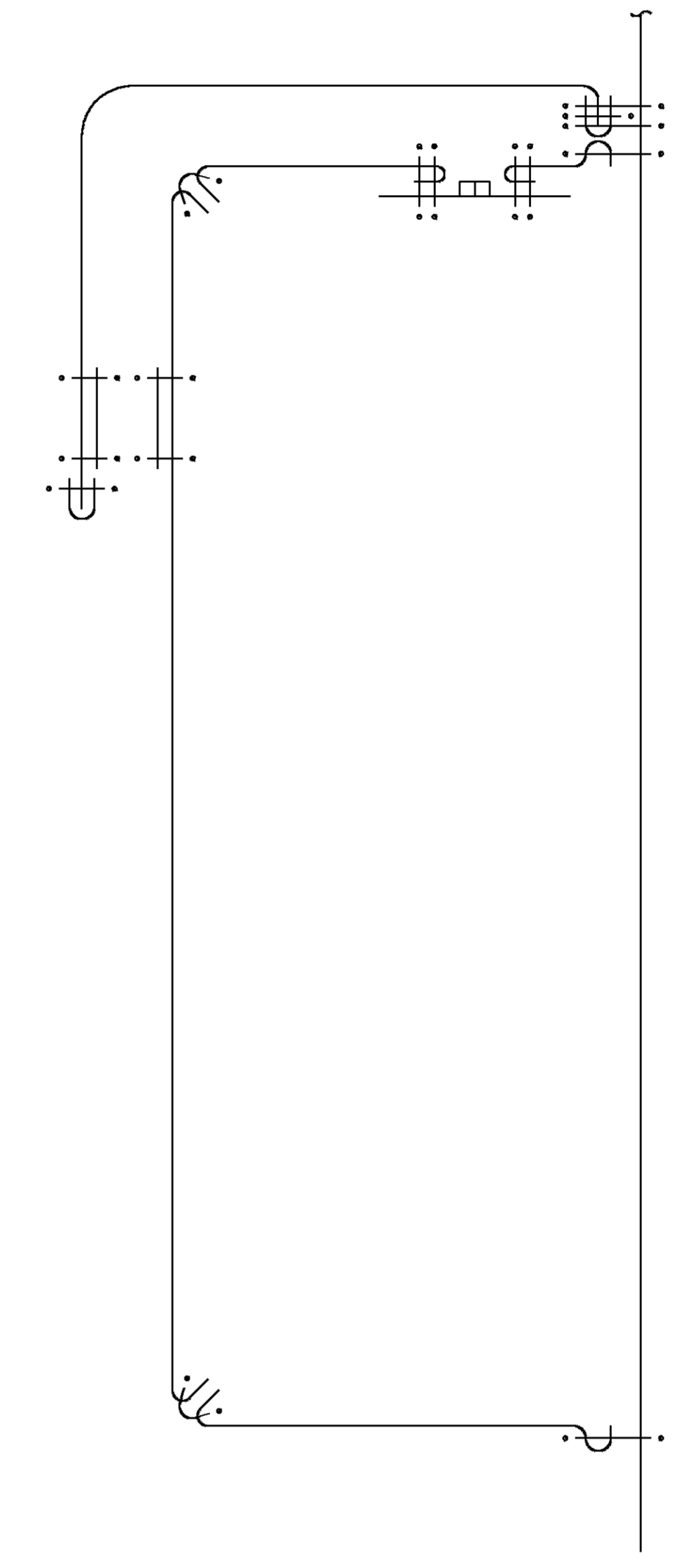
LINE SECTION L-L



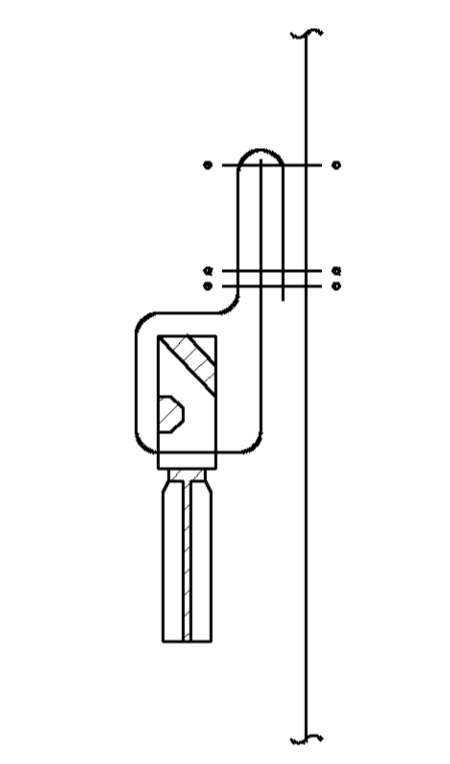
LINE SECTION M-M



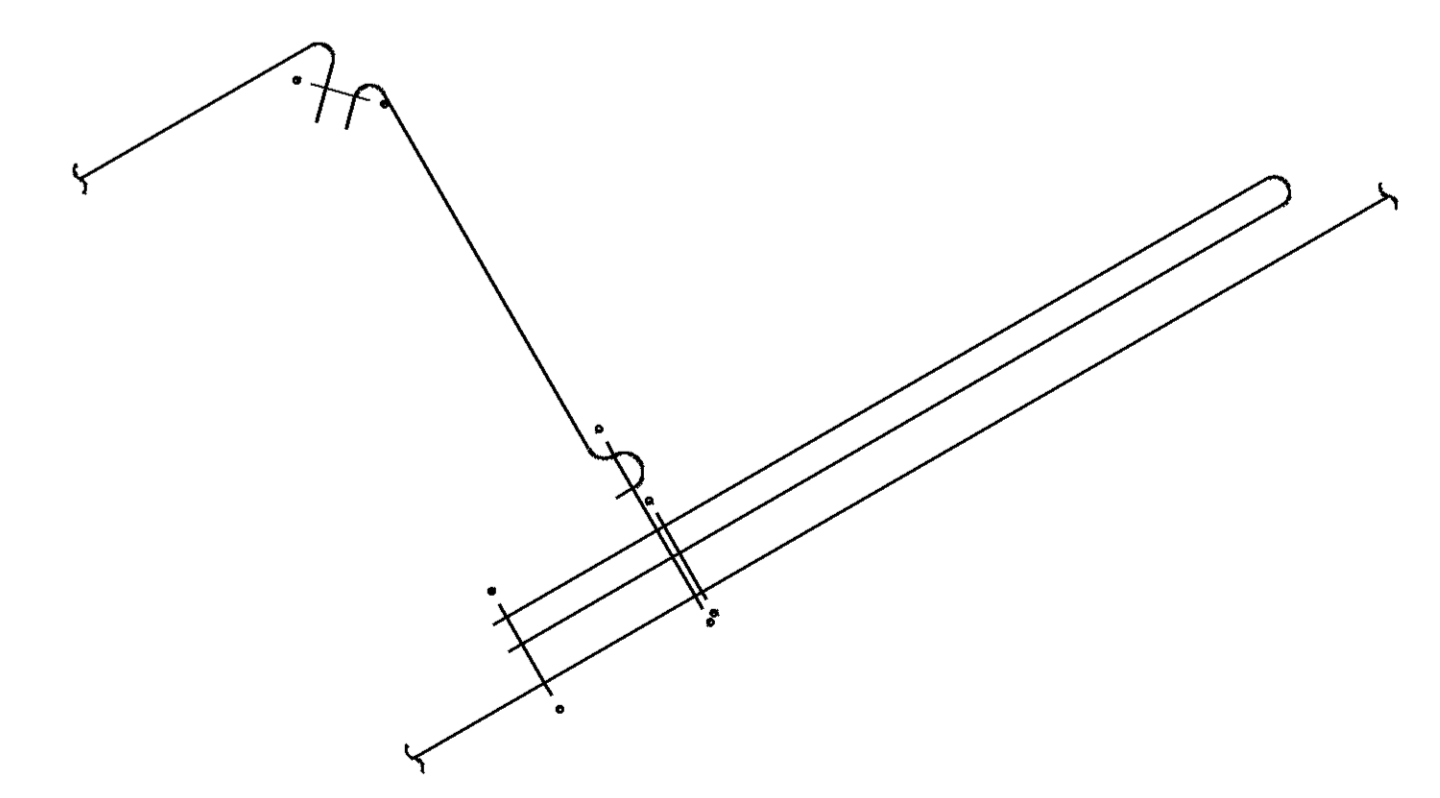
LINE SECTION N-N



LINE SECTION H-H



LINE SECTION J-J



LINE SECTION P-P

REDRAWN AT ISSUE 4

APPROVED M.KILBURN										CERTIFIED G.FULLAGAR	MATERIAL SEE SPECIFICATION UK/SC/5168	TOLERANCES NONE UNLESS OTHERWISE STATED	DIMENSIONS IN MILLIMETRES	CONTRACTOR A0-8681	CLASSIFICATION
CHECKED JWR										APPROVED FOR INSPECTION R.LAZENBY	FINISH SEE SPECIFICATION UK/SC/5168	REFERENCE No A/S 2450	ORIGINAL SCALE 1:2 AND 1:1	DEFENCE CLOTHING IPT (DLO CAVERSFIELD)	CONTRACTORS DRAWING NO.
DRAWN JWR	4	25-07-05	CS 2329											TITLE RUCKSACK SHORT 90 PATTERN, FRONT ASSEMBLY	DRAWING NO. A0/8681
	ISSUE	DATE	MOD NO.	ISSUE	DATE	MOD NO.	ISSUE	DATE	MOD NO.					NSN *	SHEET No 1 OF 1

© CROWN COPYRIGHT

USED ON  
A0/8684  
A0/8700

CLASSIFICATION

CAD DRAWING NOT TO BE CHANGED MANUALLY

ITEM	DRG.No.	NAME	No. OFF	REMARKS
1	A1/8708	RUCKSACK LONG AND SHORT 90 PATTERN, HANDLE ASSEMBLY AND PANELS	1	ITEM LIST
2	A0/8689	PANEL A, CLOTH COATED PU ON NYLON, PATT No.8725C	1	
3	A0/8689	PANEL B, CLOTH COATED PU ON NYLON, PATT No.8725C	1	
4	A0/8689	PANEL C, CLOTH COATED PU ON NYLON, PATT No.8145F	1	
5	A0/8689	PANEL D, CLOTH COATED PU ON NYLON, PATT No.8145F	1	
6	A0/8689	PANEL E, EXPANDED POLYETHYLENE SHEET, 15mm THICK	2	
7	A0/8689	PANEL F, CLOTH COATED PU ON NYLON, PATT No.8725C	2	

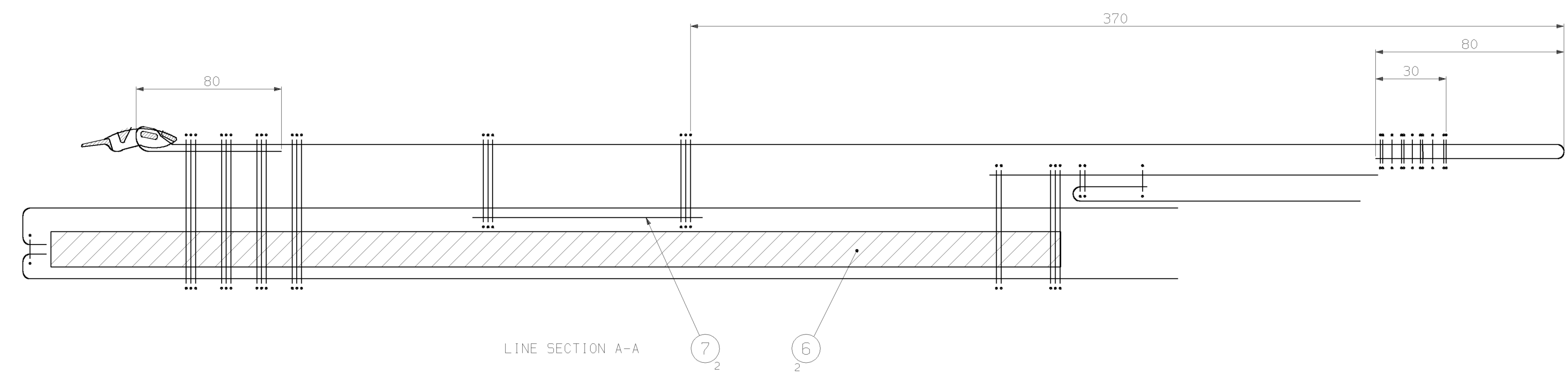
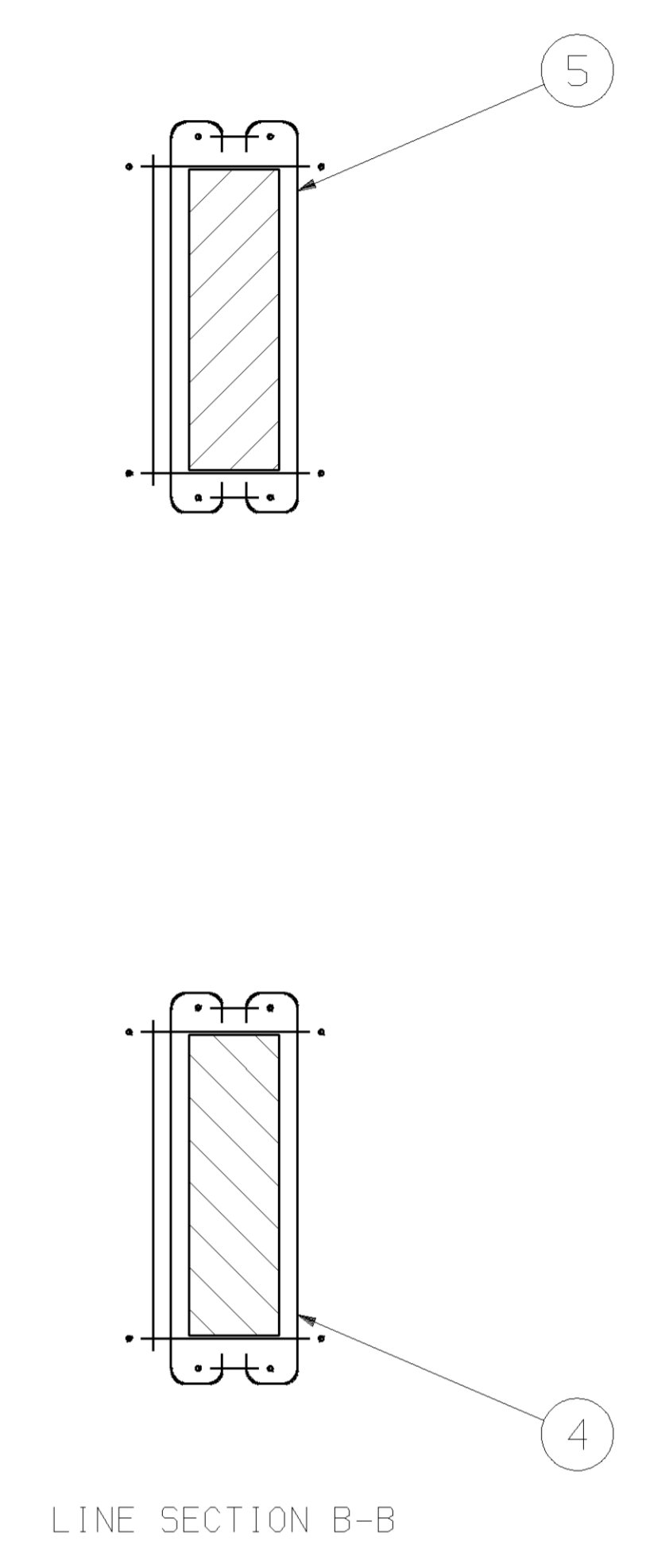
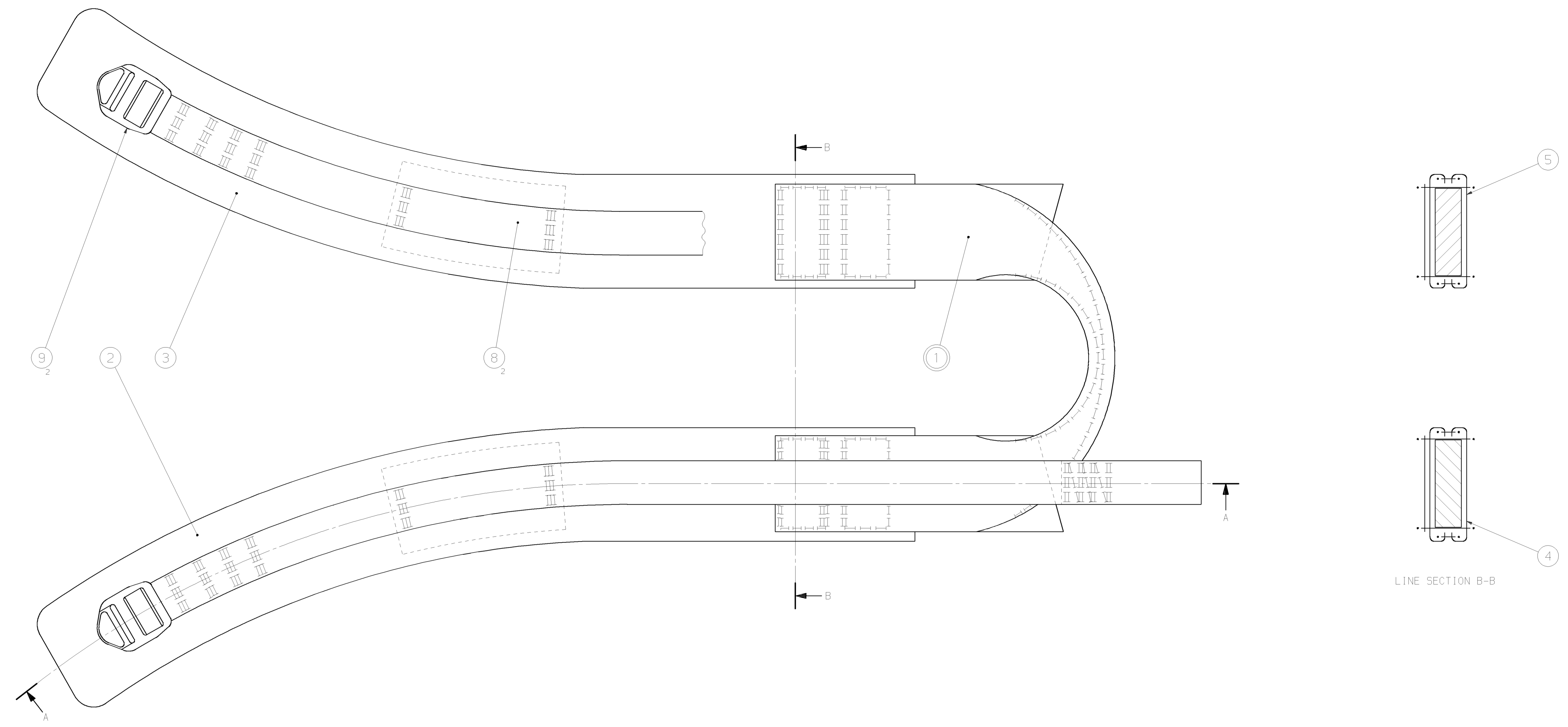
						1	25-07-05	CS 2329
						ISSUE	DATE	MOD No
ISSUE	DATE	MOD No	ISSUE	DATE	MOD No	REFERENCE No	A/S 2450	

APPROVED M.KILBURN	CONTRACTOR			CERTIFIED G.FULLAGAR	APP'D FOR INSPECTION R.LAZENBY		
CHECKED JWR	AO-8685-IL-1			CLASSIFICATION			
DRAWN JWR	DEFENCE CLOTHING IPT (DLO CAVERSFIELD)			CONTRACTORS ITEM LIST REF			
	TITLE RUCKSACK LONG AND SHORT 90 PATTERN, SHOULDER STRAP ASSEMBLY			ITEM LIST FOR A0/8685			SHEET No 1 OF 2
	NSN *						

USED ON A0/8684 A0/8700		CLASSIFICATION				CAD DRAWING NOT TO BE CHANGED MANUALLY		
		ITEM	DRG.No.	NAME		No. OFF	REMARKS	
8		N.D.	WEBBING, 25mm WIDE,		2	CUT LENGTH		
			PATT No.9350F				785mm	
9		N.D.	BUCKLE, SLL25		2			
						1	25-07-05	CS 2329
						ISSUE	DATE	MOD No
ISSUE	DATE	MOD No	ISSUE	DATE	MOD No	REFERENCE No	A/S 2450	
APPROVED	CONTRACTOR				CERTIFIED		APP'D FOR INSPECTION	
M.KILBURN					G.FULLAGAR		R.LAZENBY	
	AO-8685-IL-2				CLASSIFICATION			
CHECKED	DEFENCE CLOTHING IPT (DLO CAVERSFIELD)							
JWR	TITLE				CONTRACTORS ITEM LIST REF			
	RUCKSACK LONG AND SHORT							
	90 PATTERN, SHOULDER							
	STRAP ASSEMBLY							
DRAWN	NSN *				ITEM LIST FOR		SHEET	
JWR					A0/8685		No 2 OF 2	

USED ON  
A0/8684  
A0/8700

STITCHING SHOWN THUS  OR 



© CROWN COPYRIGHT

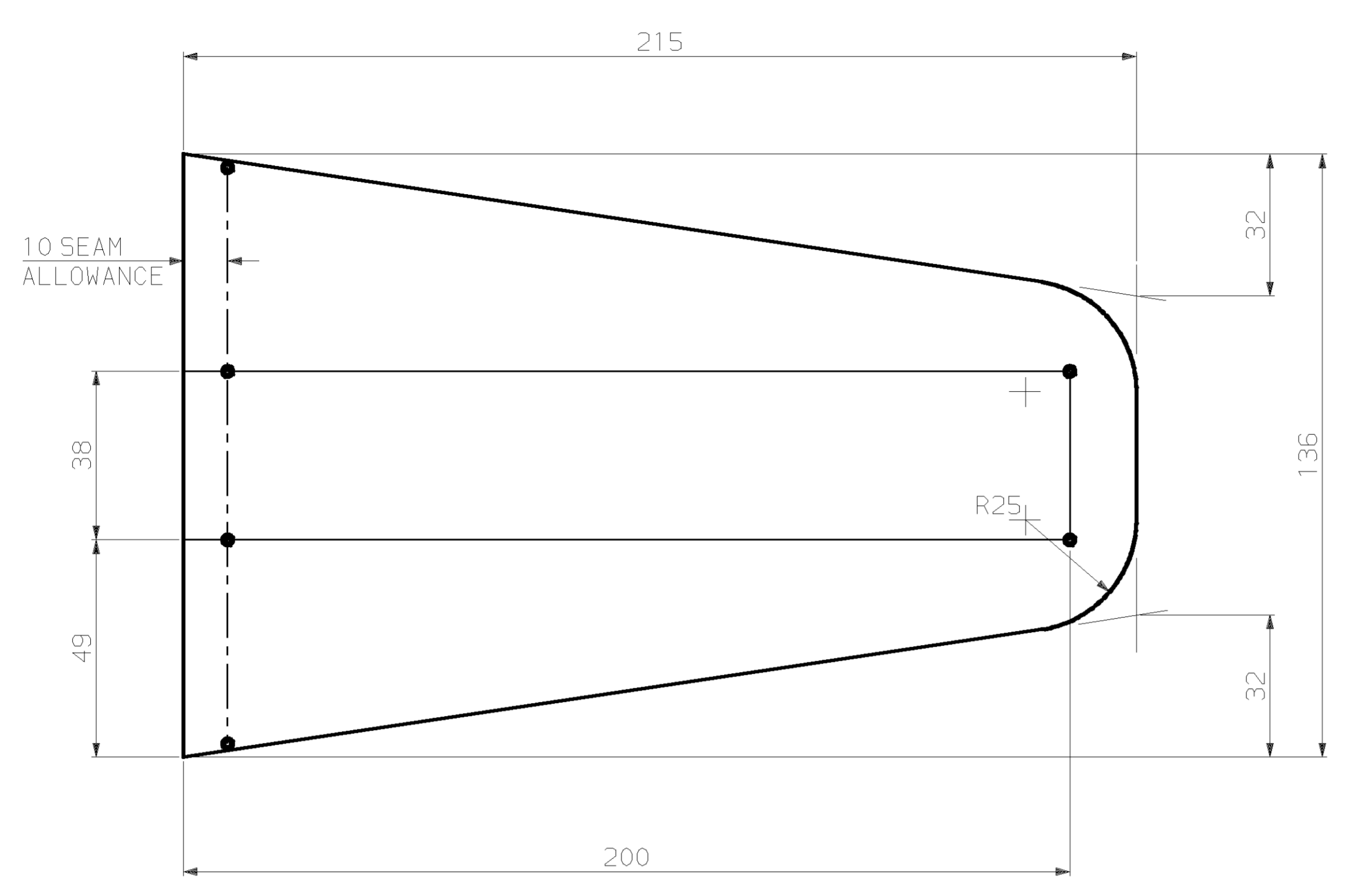
APPROVED M. KILBURN										CERTIFIED G. FULLAGAR										MATERIAL SEE SPECIFICATION UK/SC/5168										TOLERANCES NONE UNLESS OTHERWISE STATED										DIMENSIONS IN MILLIMETRES										CONTRACTOR DEFENCE CLOTHING IPT (DLO CAVERSFIELD)										CLASSIFICATION																			
CHECKED JWR										APPROVED FOR INSPECTION R. LAZENBY										FINISH SEE SPECIFICATION UK/SC/5168										REFERENCE No A/S 2450										ORIGINAL SCALE 1:1										TITLE RUCKSACK LONG AND SHORT 90 PATTERN, SHOULDER STRAP ASSEMBLY										DRAWING NO. A0/8685										SHEET No 1 OF 1									
DRAWN JWR										ISSUE 6										DATE 25-07-05										MOD NO. CS 2329																																																	

USED ON A0/8684 A0/8700		CLASSIFICATION				CAD DRAWING NOT TO BE CHANGED MANUALLY		
ITEM	DRG.No.	NAME			No. OFF	REMARKS		
1	A0/8686	PANEL A, CLOTH COATED PU ON NYLON, PATT No.8725C			2			
2	A0/8686	PANEL B, CLOTH COATED PU ON NYLON, PATT No.8725C			2			
3	A0/8686	PANEL C, EXPANDED POLYETHYLENE SHEET, 15mm THICK			2			
4	N.D.	WEBBING, 38mm WIDE, PATT No.9350F			1	CUT LENGTH 625mm		
5	N.D.	WEBBING, 38mm WIDE, PATT No.9350F			1	CUT LENGTH 400mm		
6	N.D.	TAPE TEXTILE, 19mm WIDE, PATT No.9447F			2	CUT LENGTH 490mm		
7	N.D.	BUCKLE SR40, MALE			1			
8	N.D.	BUCKLE SR40, FEMALE			1			
					1	25-07-05	CS 2329	
					ISSUE	DATE	MOD No	
ISSUE	DATE	MOD No	ISSUE	DATE	MOD No	REFERENCE No	A/S 2450	
APPROVED M.KILBURN	CONTRACTOR				CERTIFIED G.FULLAGAR	APP'D FOR INSPECTION R.LAZENBY		
CHECKED JWR	AO-8686-IL-1 DEFENCE CLOTHING IPT (DLO CAVERSFIELD)				CLASSIFICATION			
DRAWN JWR	TITLE RUCKSACK LONG AND SHORT 90 PATTERN, BELT ASSEMBLY AND PANELS A TO C NSN *				CONTRACTORS ITEM LIST REF			
					ITEM LIST FOR <b>A0/8686</b>		SHEET No 1 OF 1	

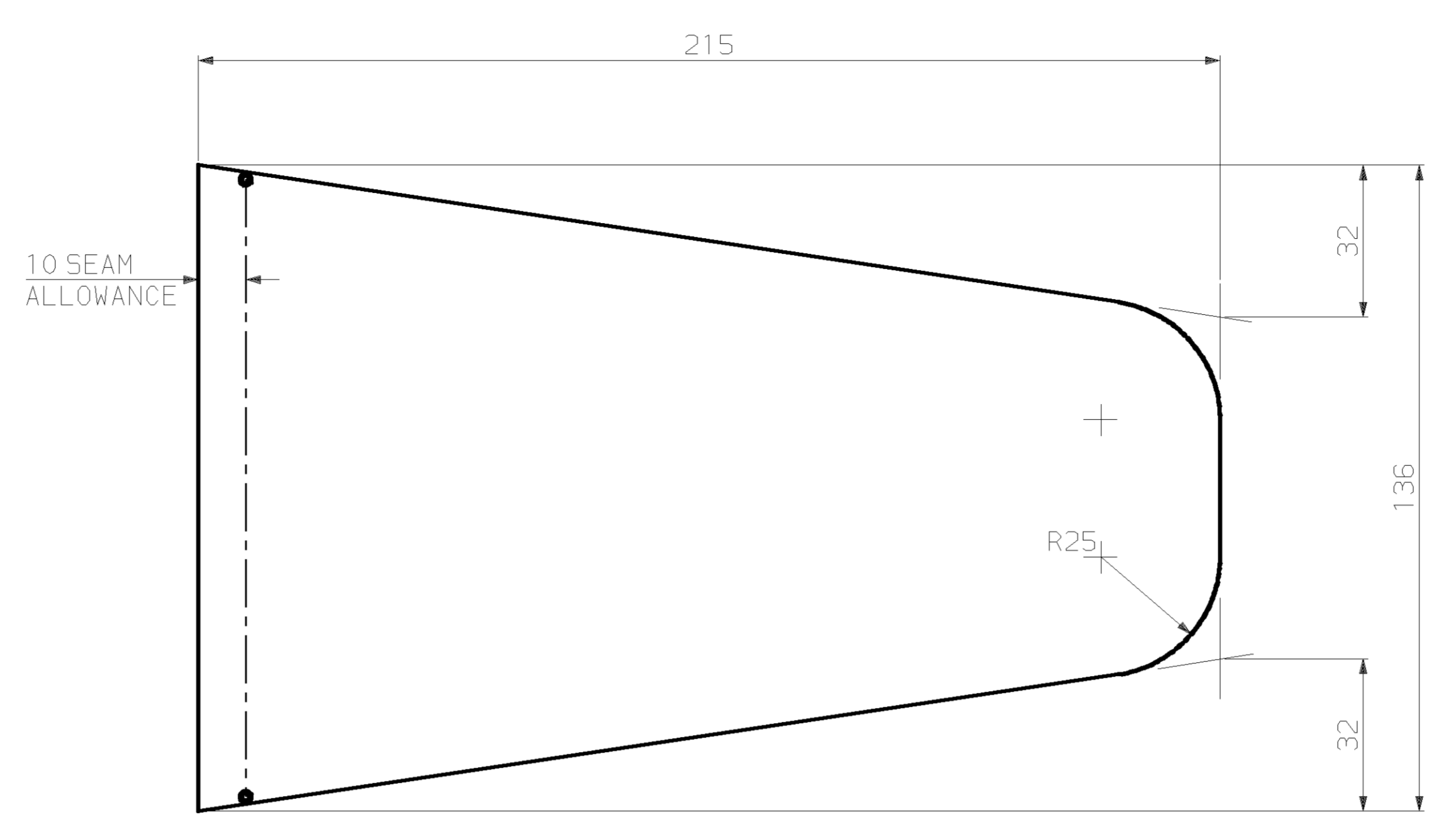


USED ON  
A0/8684  
A0/8700

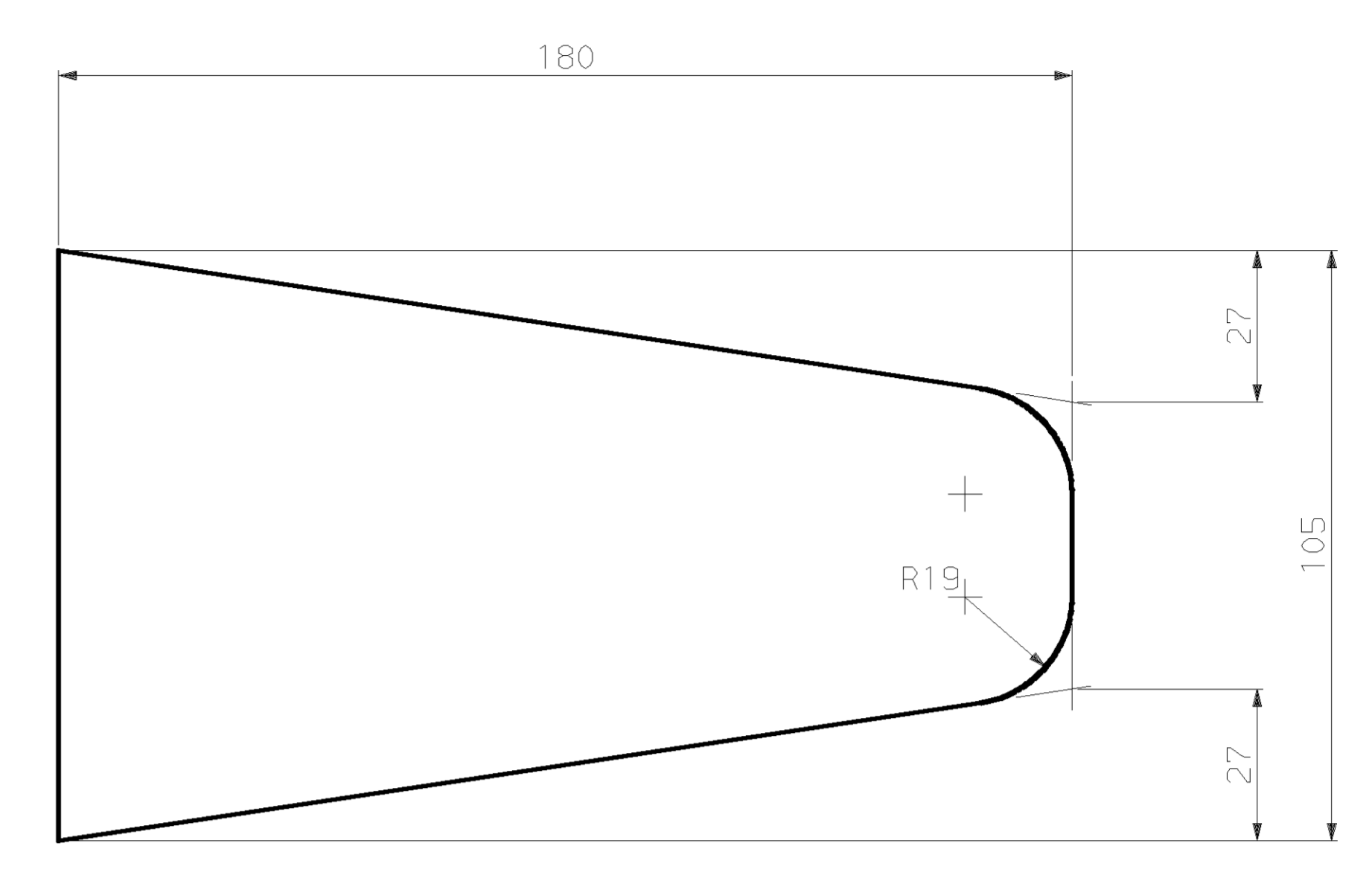
CUTTING LINE ———  
SEAM LINE - - - - -  
FOLD LINE - · - · - ·  
LOCATION FOR PARTS ● OR ◆



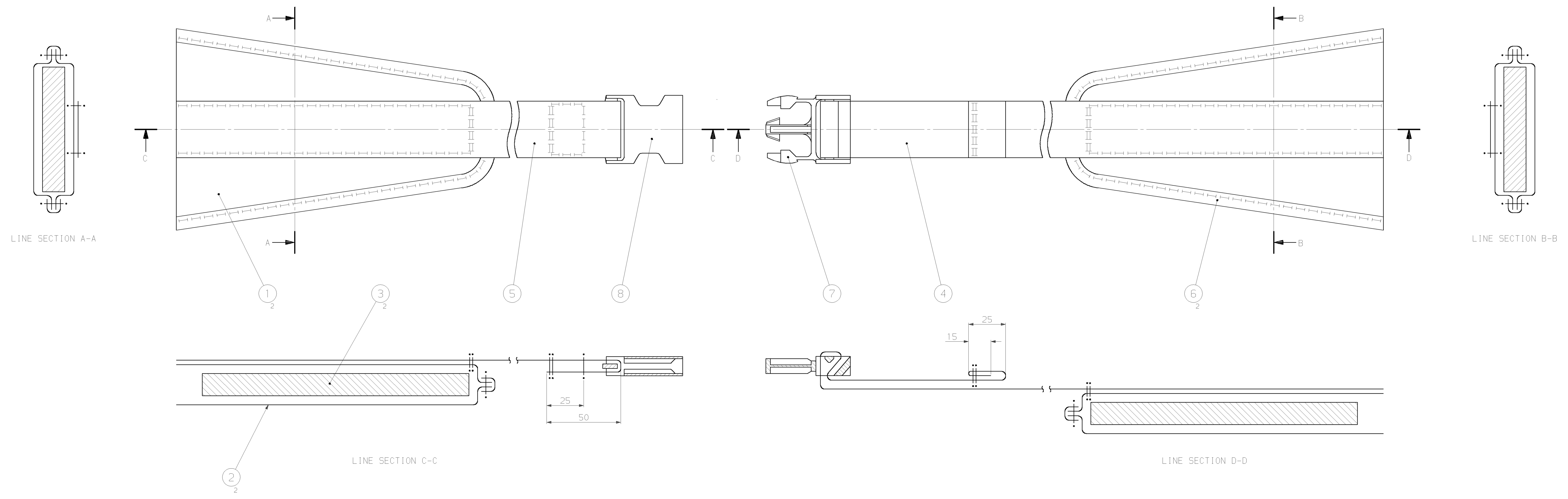
PANEL A - BELT OUTER



PANEL B - BELT INNER



PANEL C - BELT PADDING

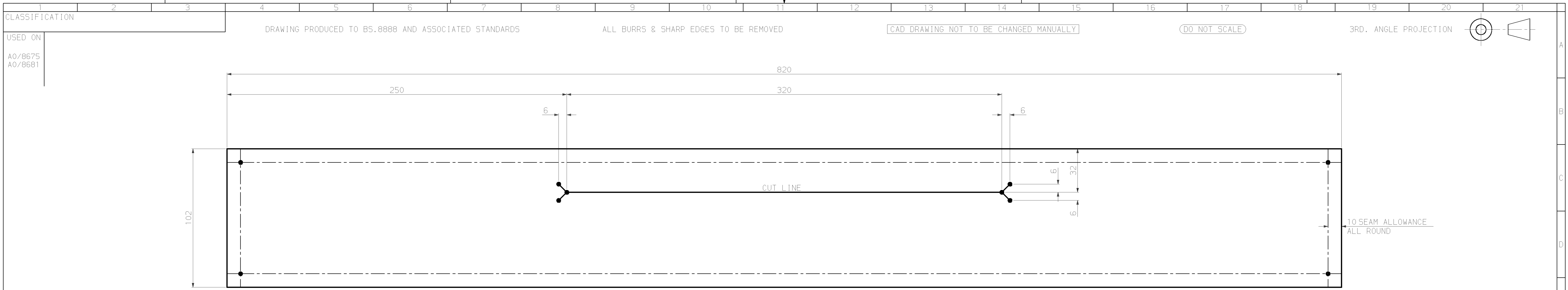


STITCHING SHOWN THUS ——— OR |||

© CROWN COPYRIGHT

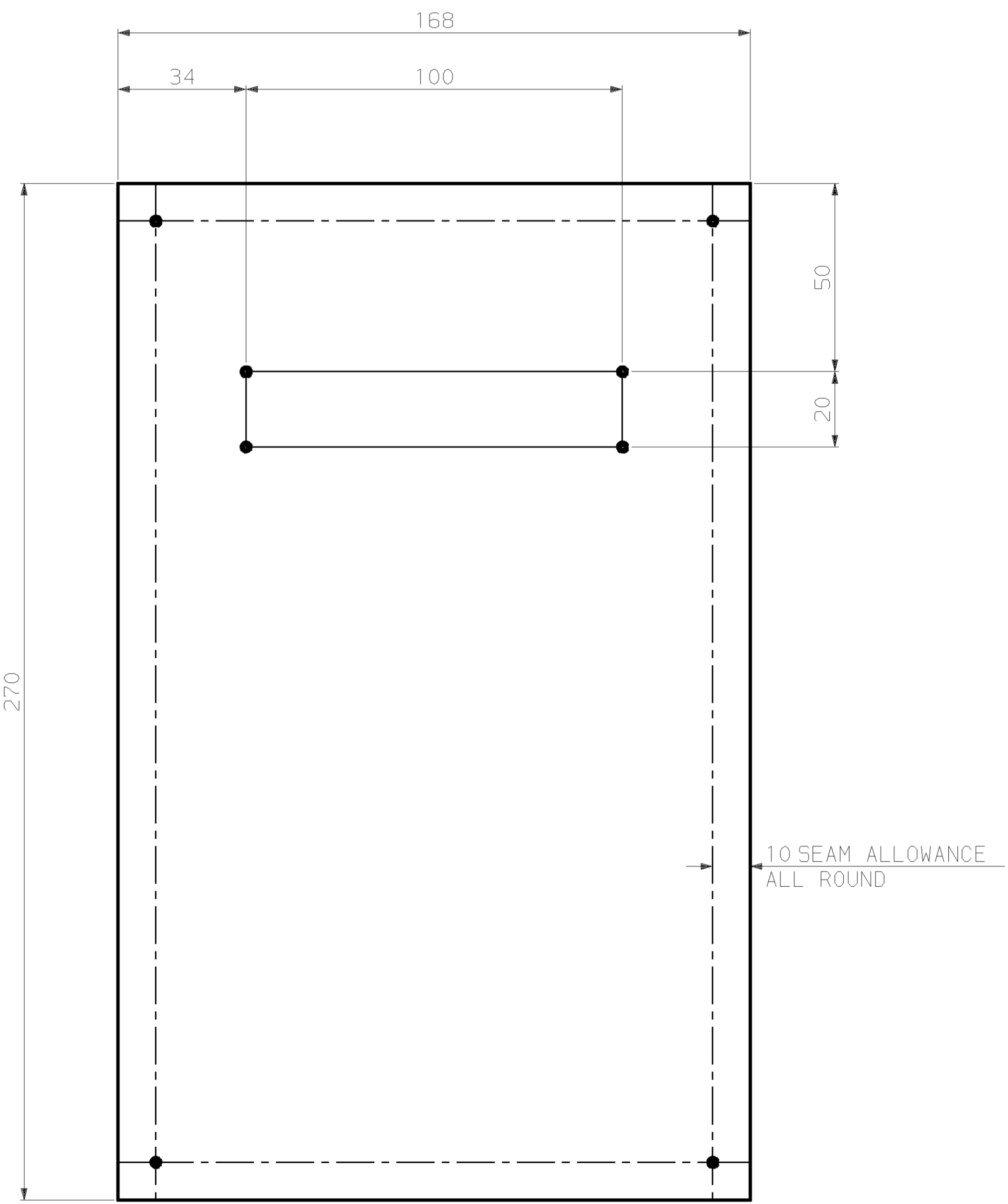
REDRAWN AT ISSUE 6										CERTIFIED		MATERIAL		TOLERANCES		DIMENSIONS IN		CONTRACTOR		CLASSIFICATION	
APPROVED M.K.ILBURN										G.FULLAGAR		SEE SPECIFICATION UK/SC/5168		NONE		MILLIMETRES		AO-8686		CONTRACTORS DRAWING NO.	
CHECKED JWR										APPROVED FOR INSPECTION		FINISH		UNLESS OTHERWISE STATED		ORIGINAL SCALE		TITLE		DRAWING NO.	
DRAWN JWR										R.LAZENBY		SEE SPECIFICATION UK/SC/5168		REFERENCE No		1:1		RUCKSACK LONG AND SHORT 90 PATTERN, BELT ASSEMBLY AND PANELS A TO C		A0/8686	
ISSUE DATE MOD NO. ISSUE DATE MOD NO. ISSUE DATE MOD NO. ISSUE DATE MOD NO.														A/S 2450				NSN *		SHEET No 1 OF 1	



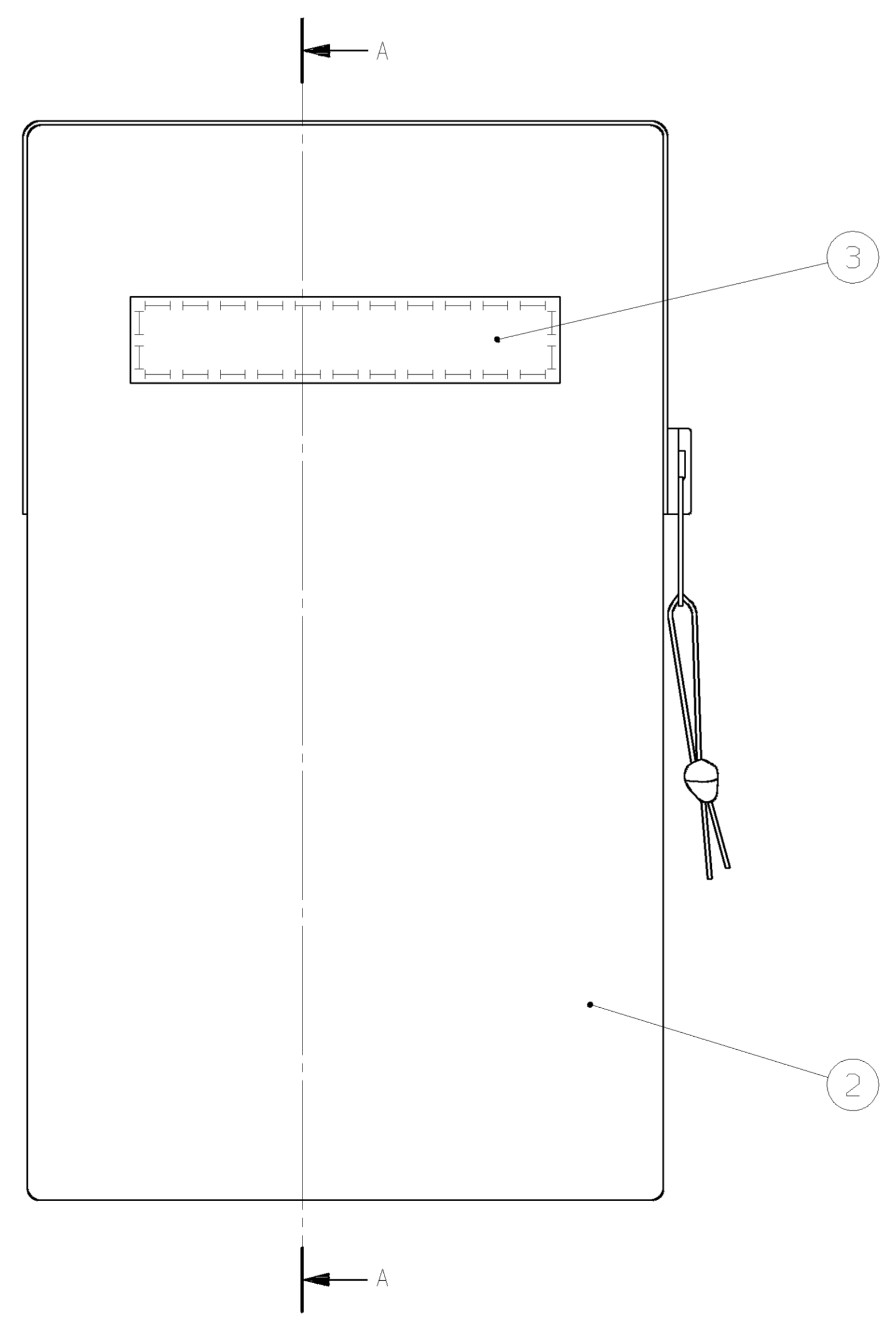


PANEL A  
GUSSET, FRONT POCKET

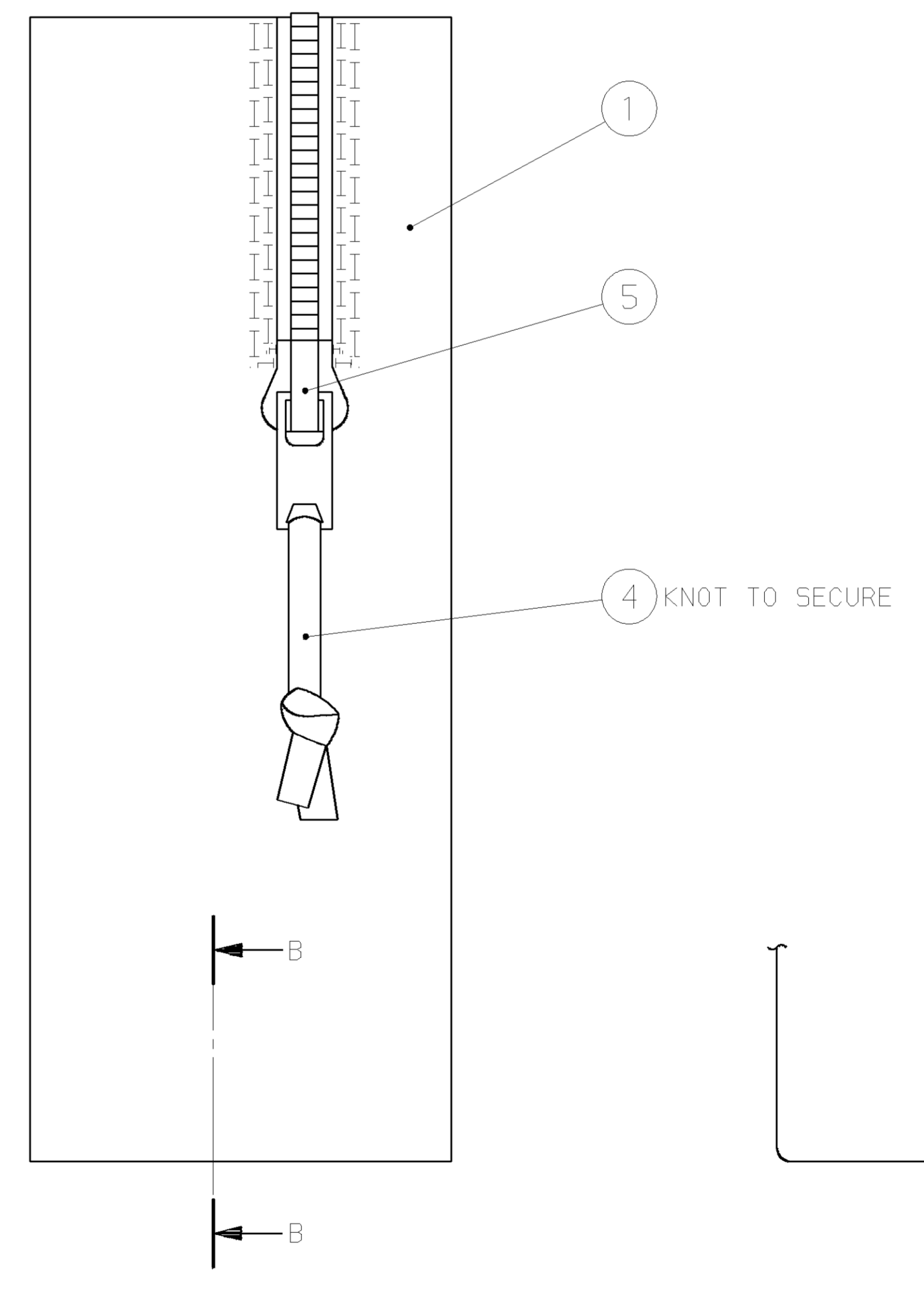
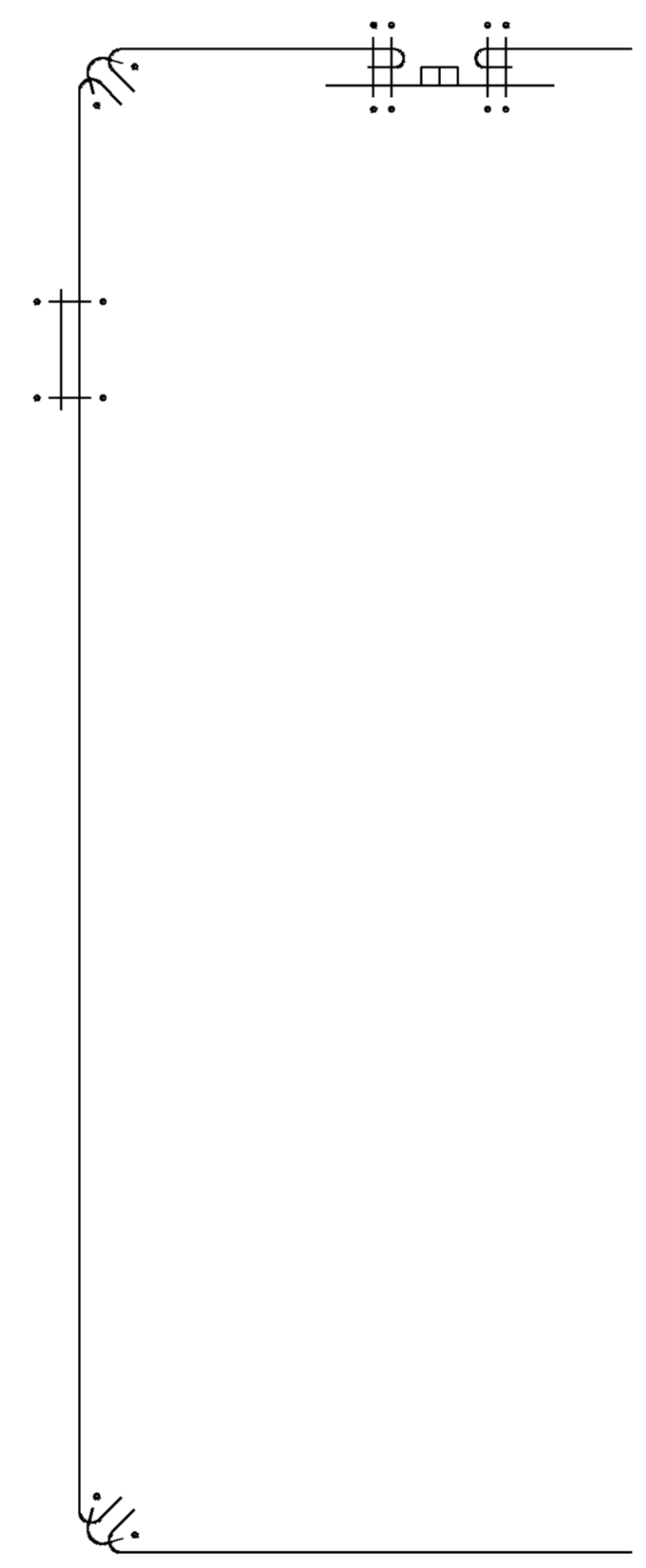
CUTTING LINE ———  
 SEAM LINE - - - - -  
 FOLD LINE - · - · -  
 LOCATION FOR PARTS ● — OR ◆



PANEL B, FRONT



LINE SECTION A-A



LINE SECTION B-B

STITCHING SHOWN THUS ——— OR |||

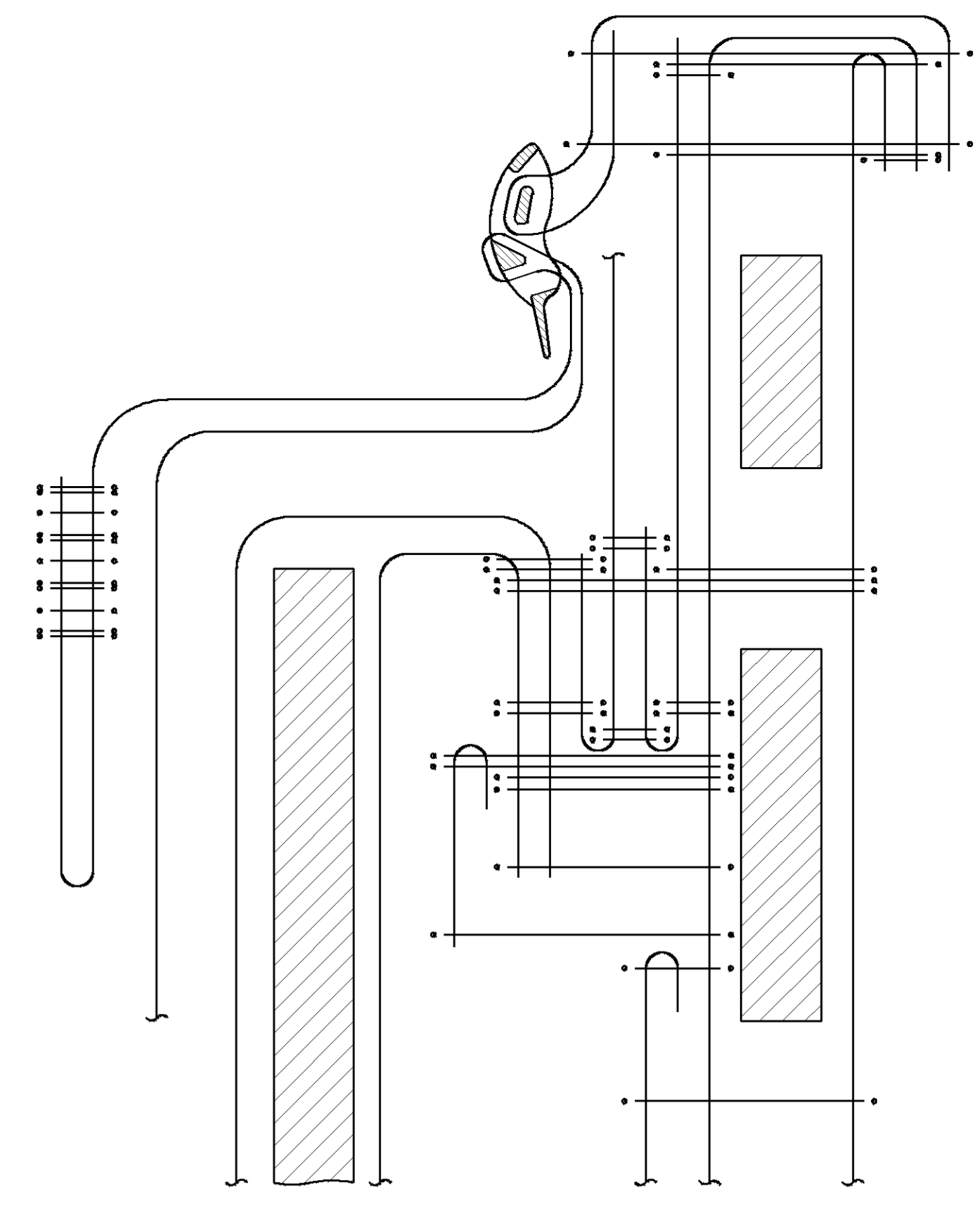
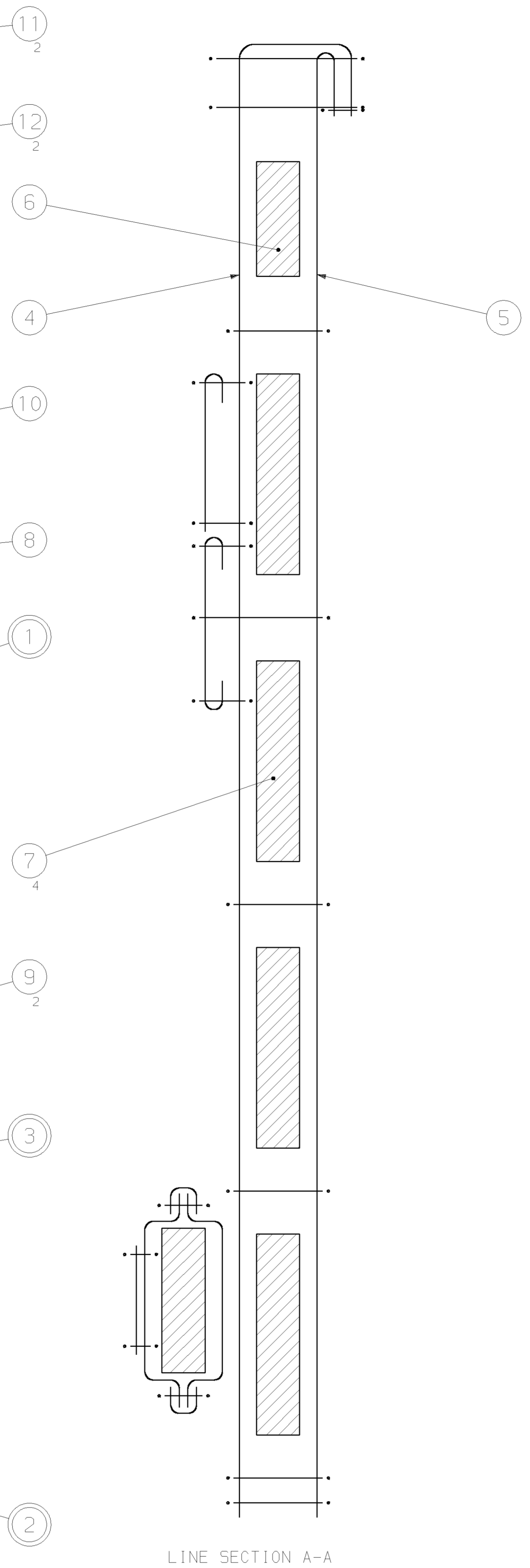
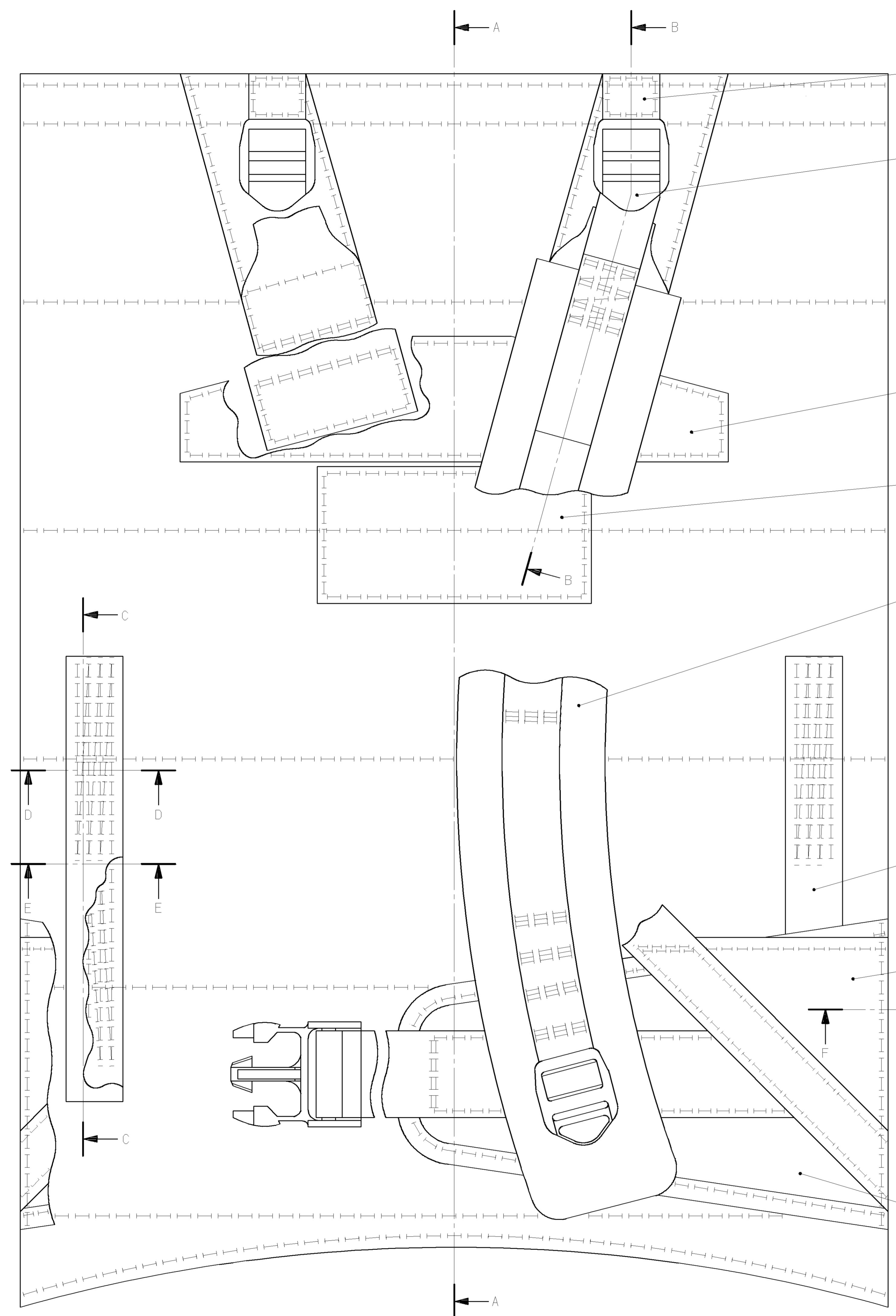
© CROWN COPYRIGHT

APPROVED M.KILBURN										CERTIFIED G.FULLAGAR	MATERIAL SEE SPECIFICATION UK/SC/5168	TOLERANCES NONE UNLESS OTHERWISE STATED	DIMENSIONS IN MILLIMETRES	CONTRACTOR DEFENCE CLOTHING IPT (DLO CAVERSFIELD)	CLASSIFICATION CONTRACTORS DRAWING NO.
CHECKED JWR										APPROVED FOR INSPECTION R.LAZENBY	FINISH SEE SPECIFICATION UK/SC/5168	REFERENCE No A/S 2450	ORIGINAL SCALE 1:1	TITLE RUCKSACK LONG AND SHORT 90 PATTERN FRONT POCKET ASSEMBLY AND PANELS	DRAWING NO. A0/8692
ISSUE	DATE	MOD NO.	ISSUE	DATE	MOD NO.	ISSUE	DATE	MOD NO.	ISSUE	DATE	MOD NO.	SHEET No 1 OF 1			

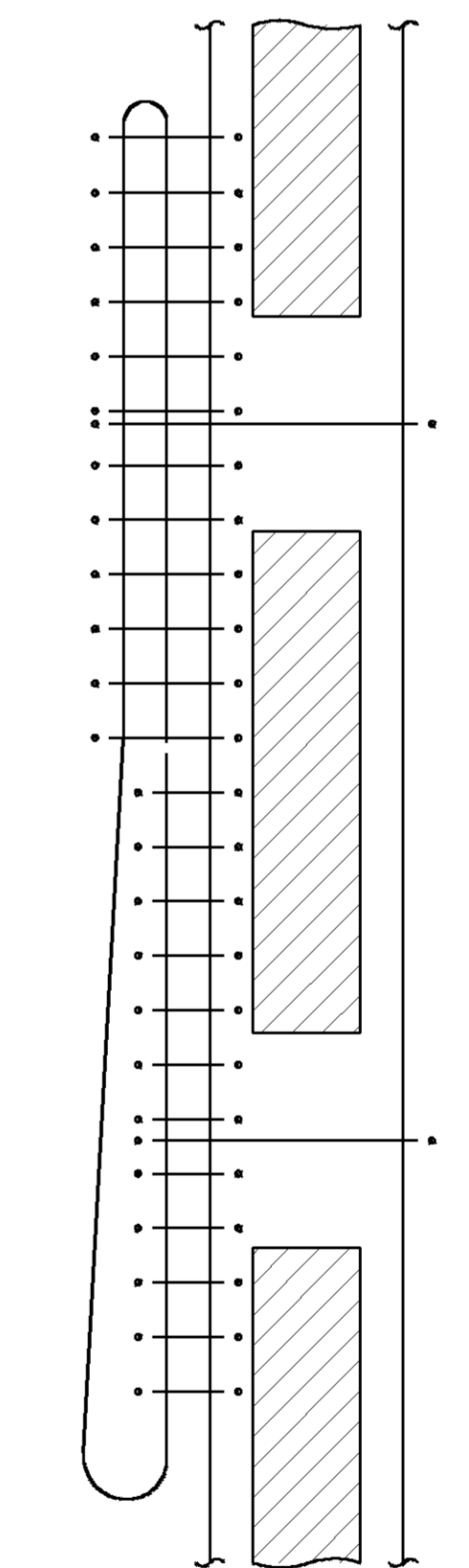
USED ON		CLASSIFICATION				CAD DRAWING NOT TO BE CHANGED MANUALLY			
A1/8680	ITEM	DRG.No.	NAME			No. OFF	REMARKS		
	1	A0/8685	RUCKSACK LONG AND SHORT 90 PATTERN, SHOULDER STRAP ASSEMBLY			1	ITEM LIST		
	2	A0/8686	RUCKSACK LONG AND SHORT 90 PATTERN, BELT ASSEMBLY AND PANELS A TO C			1	ITEM LIST		
	3	A1/8687	RUCKSACK LONG AND SHORT 90 PATTERN, STRAP TAB ASSEMBLY AND PANELS			1	ITEM LIST		
	4	A0/8701	PANEL A, CLOTH COATED PU ON NYLON, PATT No.8725C			1			
	5	A0/8701	PANEL B, CLOTH COATED PU ON NYLON, PATT No.8725C			1			
	6	A0/8701	PANEL C, EXPANDED POLYETHYLENE SHEET, 15mm THICK			1			
	7	A0/8701	PANEL D, EXPANDED POLYETHYLENE SHEET, 15mm THICK			4			
							REDRAWN AT ISSUE 5		
							5	25-07-05	CS 2329
							ISSUE	DATE	MOD No
	ISSUE	DATE	MOD No	ISSUE	DATE	MOD No	REFERENCE No	A/S 2450	
	APPROVED	CONTRACTOR					CERTIFIED	APP'D FOR INSPECTION	
	M.KILBURN						G.FULLAGAR	R.LAZENBY	
CHECKED	A0-8700-IL-1					CLASSIFICATION			
JWR	DEFENCE CLOTHING IPT (DLO CAVERSFIELD)					CONTRACTORS ITEM LIST REF			
DRAWN	TITLE					ITEM LIST FOR		SHEET No 1 OF 2	
JWR	RUCKSACK SHORT 90 PATTERN, BACK OUTER ASSEMBLY					A0/8700			
		NSN	*						

USED ON  A1/8680	CLASSIFICATION		CAD DRAWING NOT TO BE CHANGED MANUALLY				
	ITEM	DRG.No.	NAME			No. OFF	REMARKS
	8	N.D.	IDENTIFICATION LABEL, CLOTH COATED PU ON NYLON PATT No.8145F			1	CUT SIZE  130mm x 70mm
	9	N.D.	WEBBING, 25mm WIDE,  PATT No.9350F			2	CUT LENGTH  430mm
	10	N.D.	WEBBING, 55mm WIDE,  PATT No.9442F			1	CUT LENGTH  260mm
	11	N.D.	WEBBING, 25mm WIDE,  PATT No.9350F			2	CUT LENGTH  125mm
	12	N.D.	BUCKLE, SLL 25			2	
							REDRAWN AT ISSUE 5
					5	25-07-05	CS 2329
					ISSUE	DATE	MOD No
ISSUE	DATE	MOD No	ISSUE	DATE	MOD No	REFERENCE No	A/S 2450
APPROVED M.KILBURN	CONTRACTOR				CERTIFIED G.FULLAGAR	APP'D FOR INSPECTION R.LAZENBY	
CHECKED JWR	AO-8700-IL-2 DEFENCE CLOTHING IPT (DLO CAVERSFIELD)				CLASSIFICATION		
DRAWN JWR	TITLE RUCKSACK SHORT 90 PATTERN, BACK OUTER ASSEMBLY				CONTRACTORS ITEM LIST REF		
	NSN *				ITEM LIST FOR AO/8700		SHEET No 2 OF 2

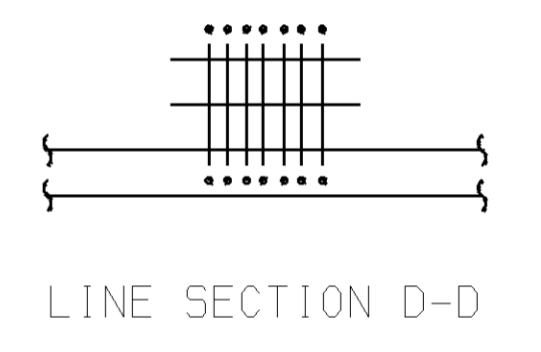




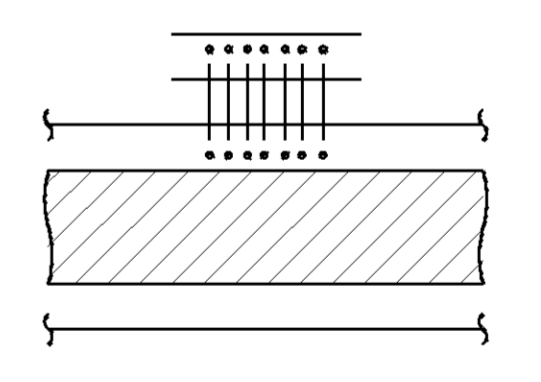
LINE SECTION B-B



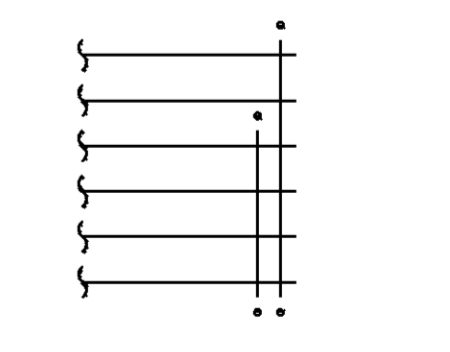
LINE SECTION C-C



LINE SECTION D-D



LINE SECTION E-E



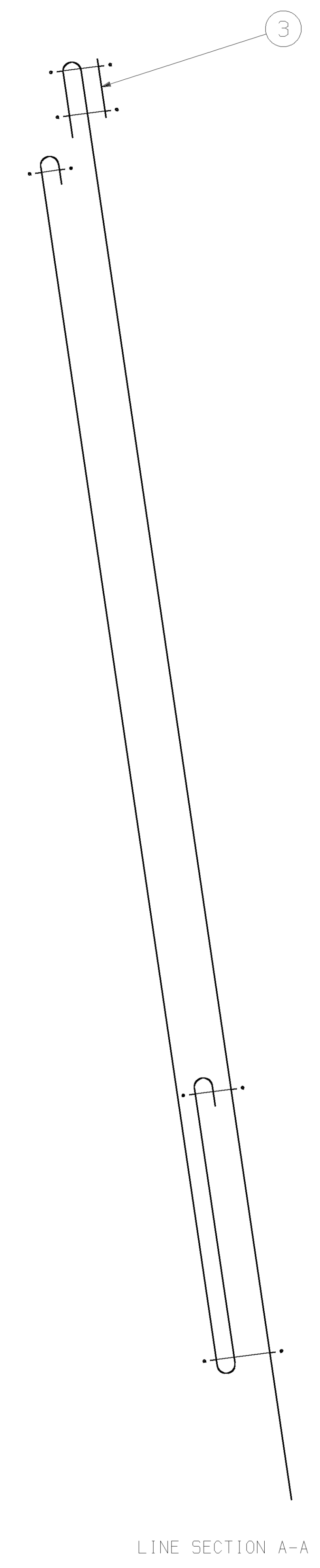
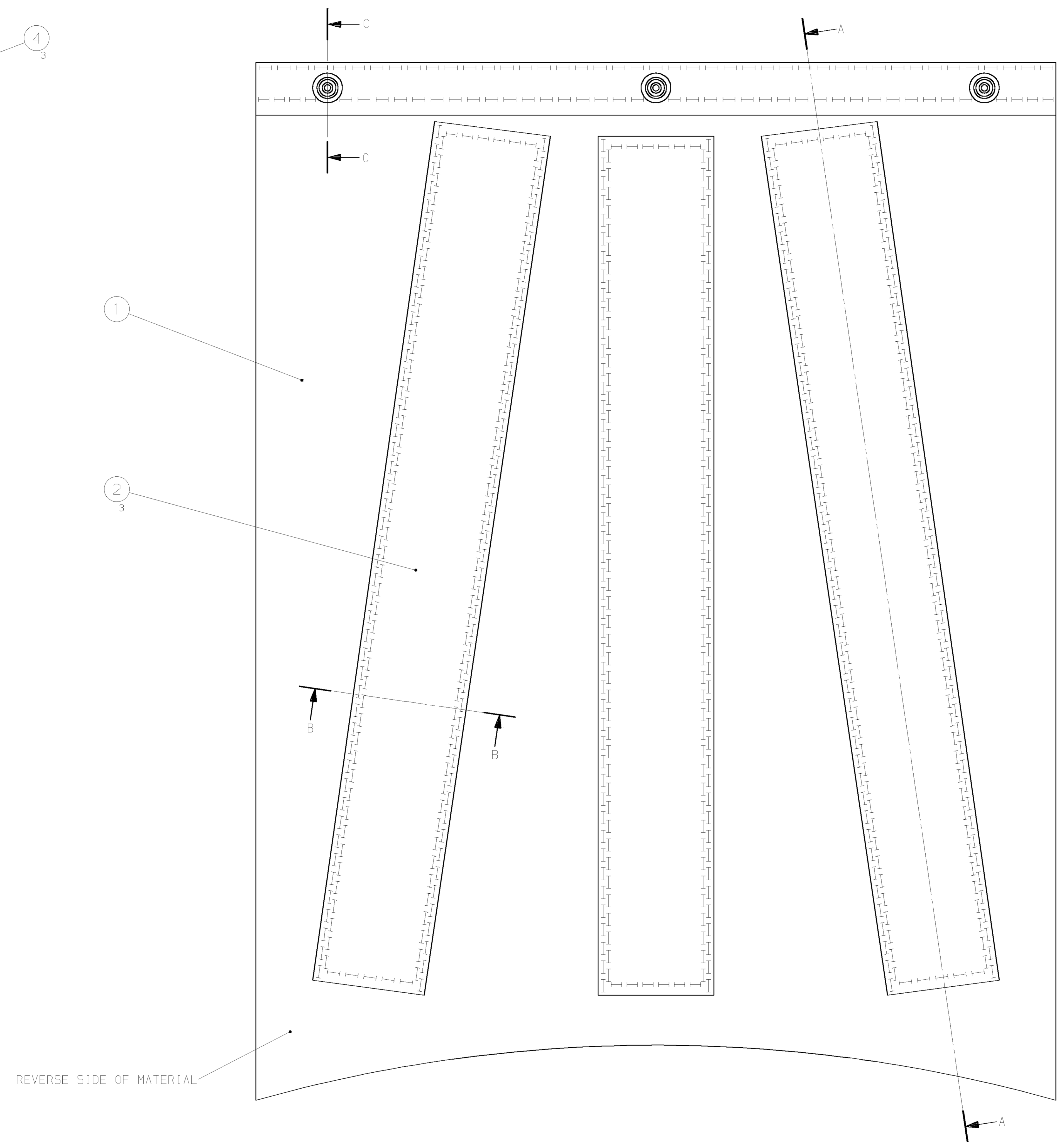
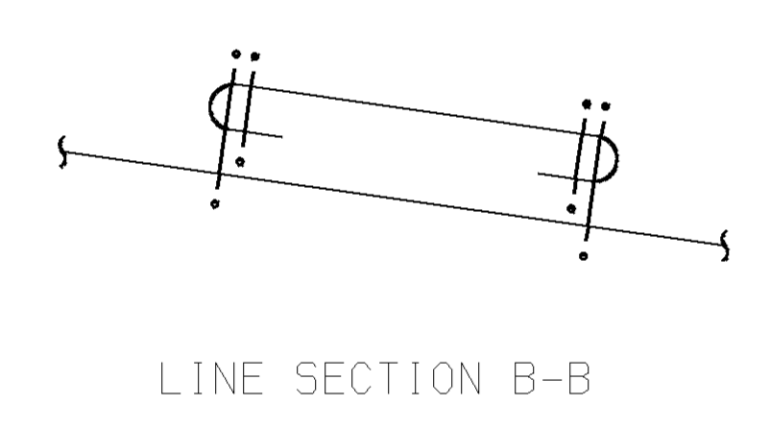
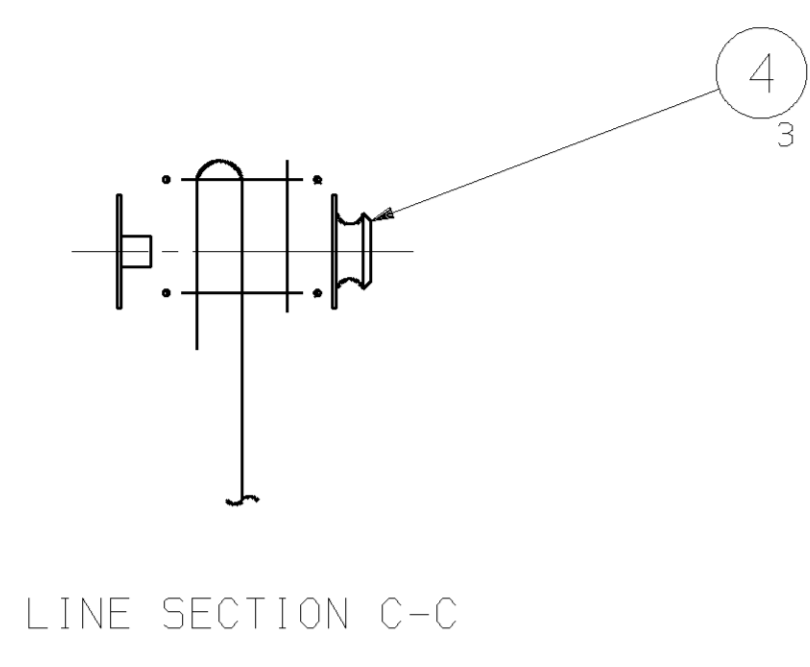
LINE SECTION F-F

STITCHING SHOWN THUS OR

© CROWN COPYRIGHT

APPROVED M. KILBURN										CERTIFIED G. FULLAGAR		MATERIAL SEE SPECIFICATION UK/SC/5168		TOLERANCES NONE UNLESS OTHERWISE STATED		DIMENSIONS IN MILLIMETRES		CONTRACTOR DEFENCE CLOTHING IPT (DLO CAVERSFIELD)		CLASSIFICATION			
CHECKED JWR										APPROVED FOR INSPECTION R. LAZENBY		FINISH SEE SPECIFICATION UK/SC/5168		REFERENCE No A/S 2450		ORIGINAL SCALE 1:1		TITLE RUCKSACK SHORT 90 PATTERN, BACK OUTER ASSEMBLY		DRAWING NO. A0/8700		SHEET No 1 OF 1	
DRAWN JWR										ISSUE 6		DATE 25-07-05		MOD NO. CS 2329									
REDRAWN AT ISSUE 6																							





STITCHING SHOWN THUS OR

© CROWN COPYRIGHT

APPROVED M.KILBURN										CERTIFIED G.FULLAGAR		MATERIAL SEE SPECIFICATION UK/SC/5168		TOLERANCES NONE UNLESS OTHERWISE STATED		DIMENSIONS IN MILLIMETRES		CONTRACTOR DEFENCE CLOTHING IPT (DLO CAVERSFIELD)		CLASSIFICATION			
CHECKED JWR										APPROVED FOR INSPECTION R.LAZENBY		FINISH SEE SPECIFICATION UK/SC/5168		REFERENCE No A/S 2450		ORIGINAL SCALE 1:1		TITLE RUCKSACK SHORT 90 PATTERN BACK INNER ASSEMBLY		DRAWING NO. A0/8702		SHEET No 1 OF 1	
DRAWN JWR										ISSUE		DATE		MOD NO.		ISSUE		DATE		MOD NO.		DRAWING NO. A0/8702	



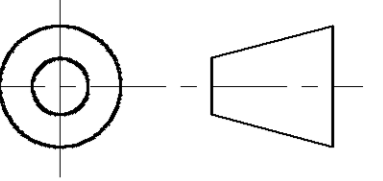
CLASSIFICATION

DRAWING PRODUCED TO BS.8888 AND ASSOCIATED STANDARDS ALL BURRS & SHARP EDGES TO BE REMOVED

CAD DRAWING NOT TO BE CHANGED MANUALLY

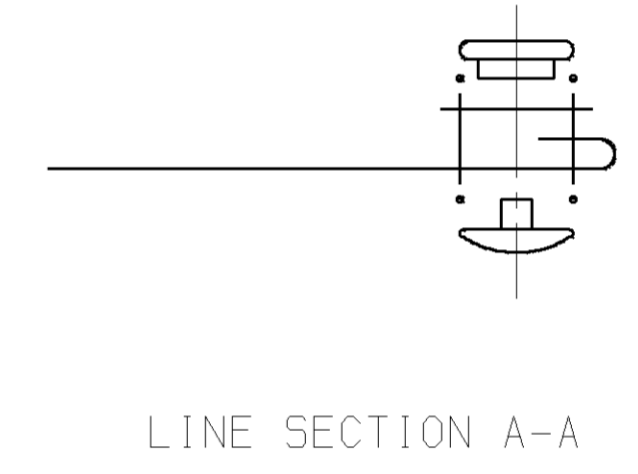
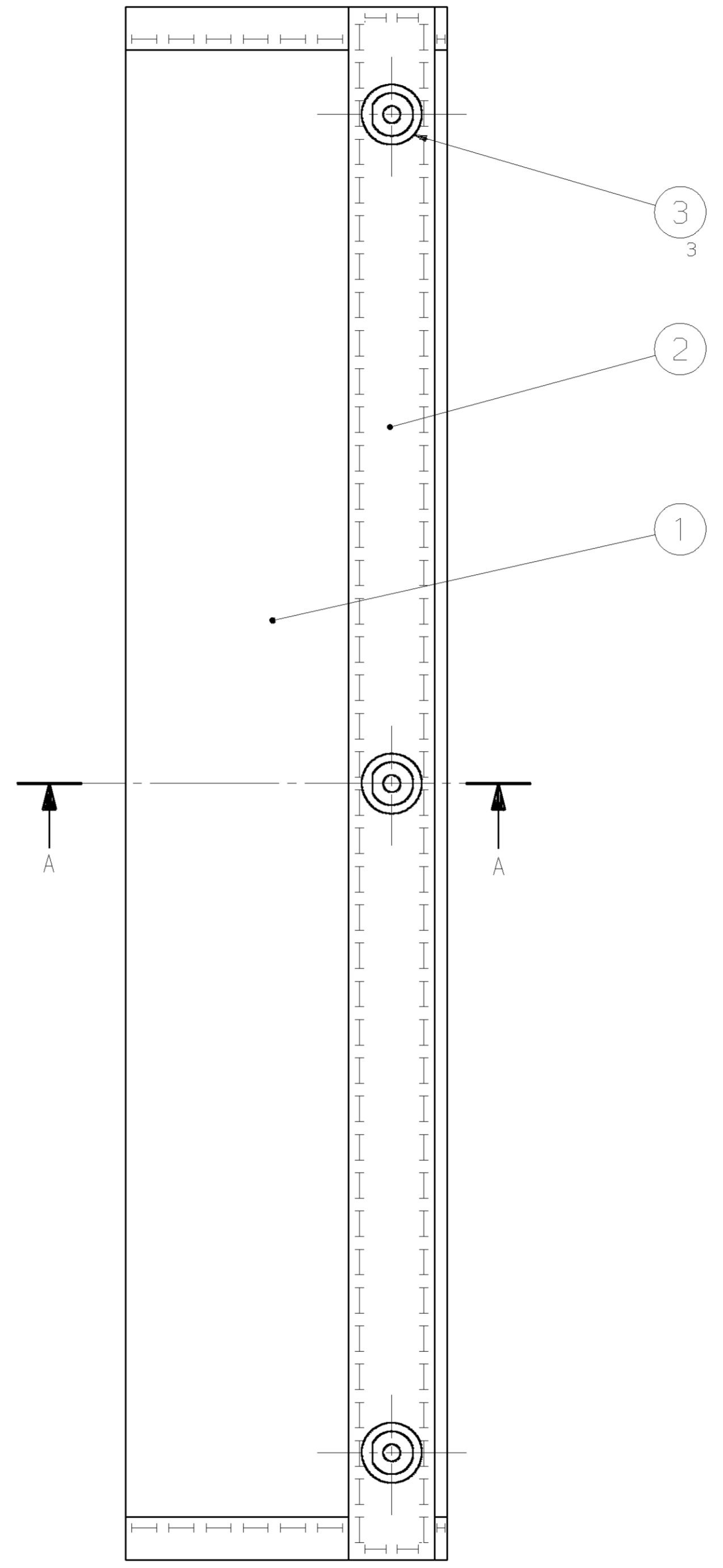
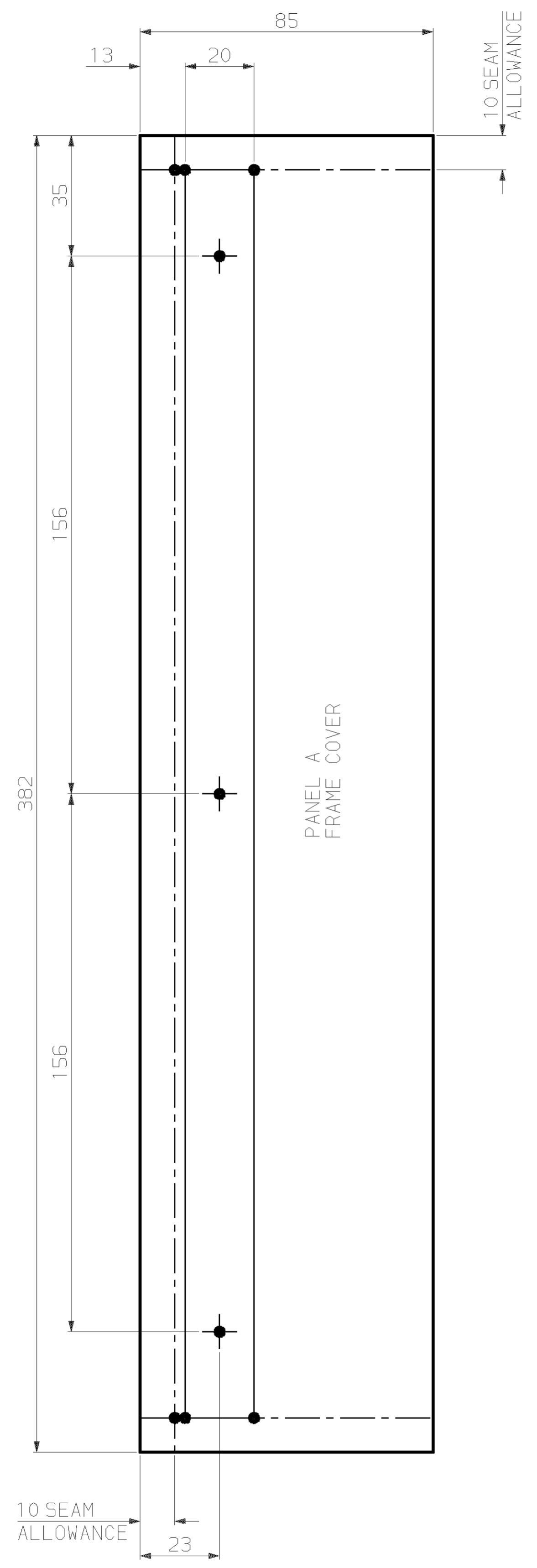
DO NOT SCALE

3RD. ANGLE PROJECTION



USED ON  
A0/8673

CUTTING LINE ———  
SEAM LINE - - - - -  
FOLD LINE - · - · -  
LOCATION FOR PARTS ● ——— OR +



STITCHING SHOWN THUS ——— OR |||

© CROWN COPYRIGHT

REDRAWN AT ISSUE 4

APPROVED M. KILBURN						MATERIAL SEE SPECIFICATION UK/SC/5168	TOLERANCES NONE	DIMENSIONS IN MILLIMETRES	CONTRACTOR A1-8679	CLASSIFICATION
CHECKED JWR						FINISH SEE SPECIFICATION UK/SC/5168	UNLESS OTHERWISE STATED	ORIGINAL SCALE 1:1	DEFENCE CLOTHING IPT (DLO CAVERSFIELD)	CONTRACTORS DRAWING NO.
DRAWN JWR	4	25-07-05	C5 2329			CERTIFIED G. FULLAGAR	APPROVED FOR INSPECTION R. LAZENBY	REFERENCE No A/S 2450	TITLE RUCKSACK LONG AND SHORT 90 PATTERN, FRAME COVER ASSEMBLY AND PANEL	DRAWING NO. A1/8679
	ISSUE	DATE	MOD NO.	ISSUE	DATE	MOD NO.			NSN *	SHEET No 1 OF 1



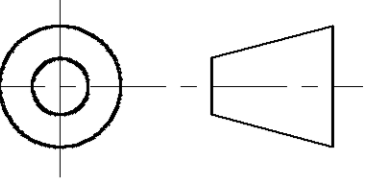
CLASSIFICATION

DRAWING PRODUCED TO BS.8888 AND ASSOCIATED STANDARDS ALL BURRS & SHARP EDGES TO BE REMOVED

CAD DRAWING NOT TO BE CHANGED MANUALLY

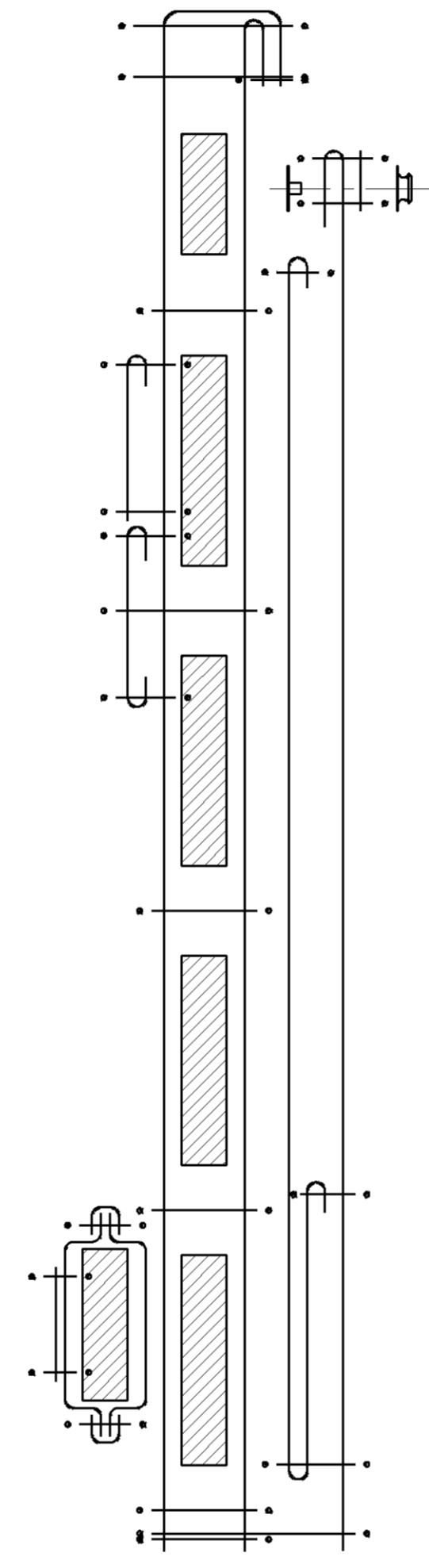
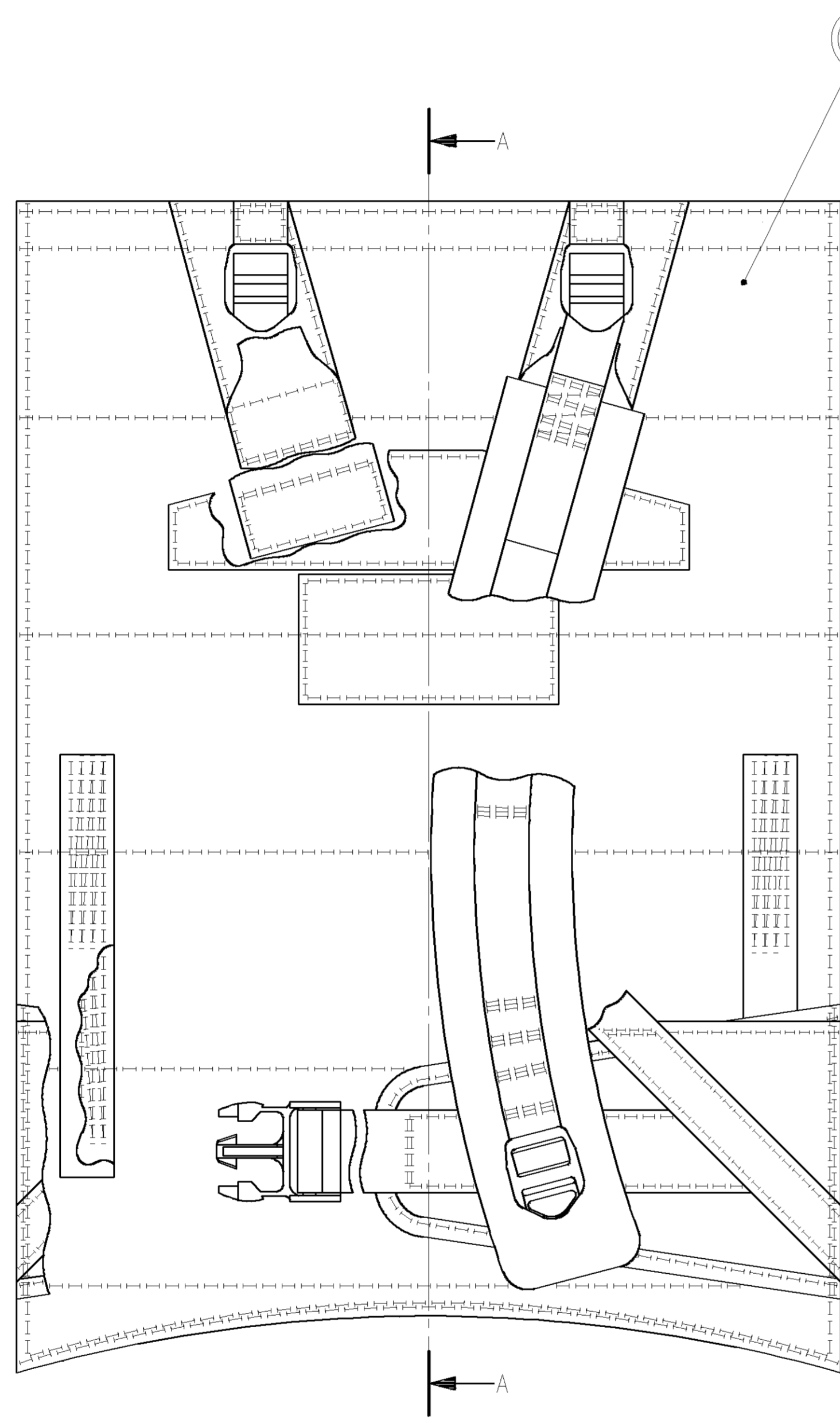
DO NOT SCALE

3RD. ANGLE PROJECTION

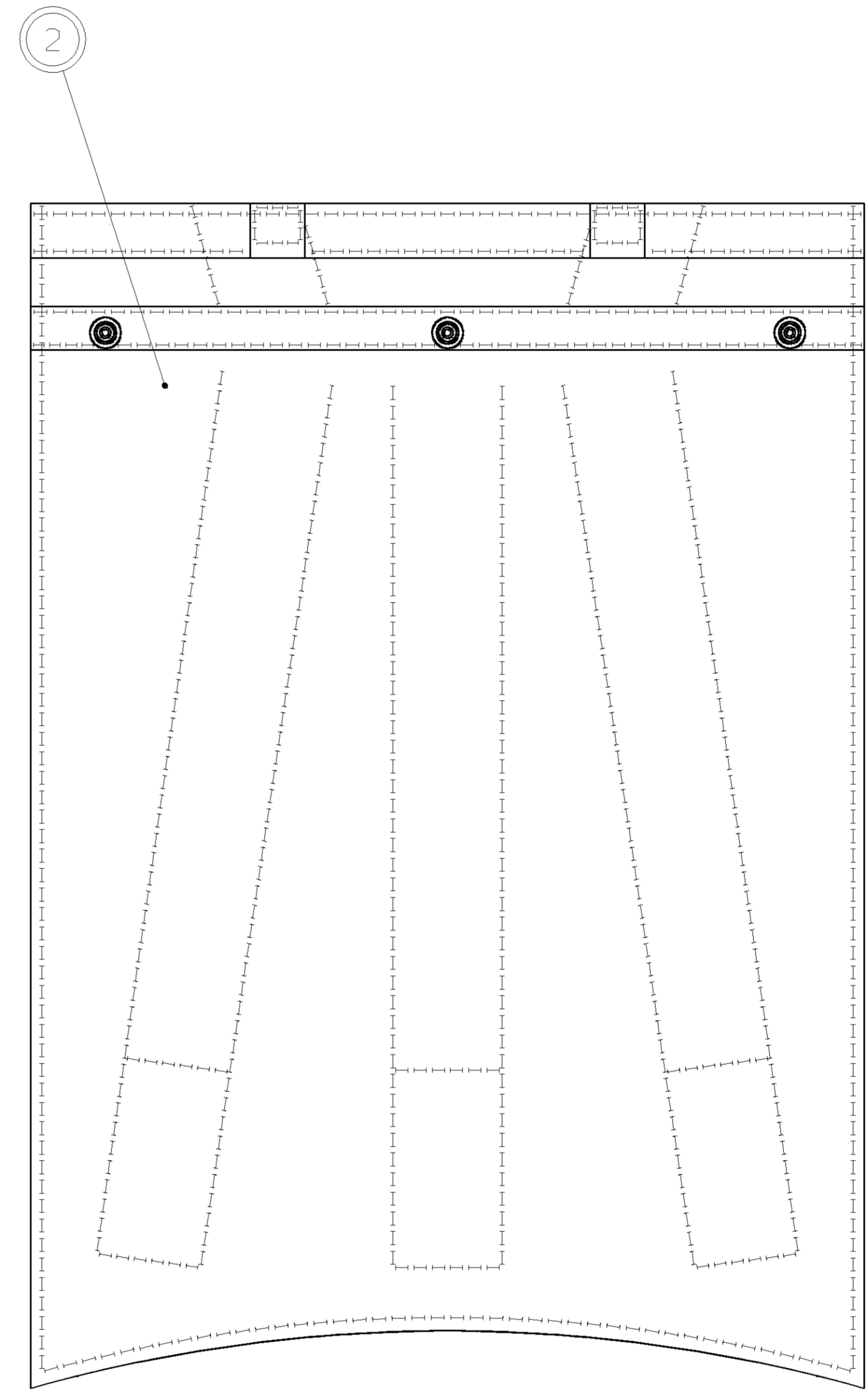


USED ON  
A0/8673

STITCHING SHOWN THUS OR



LINE SECTION A-A



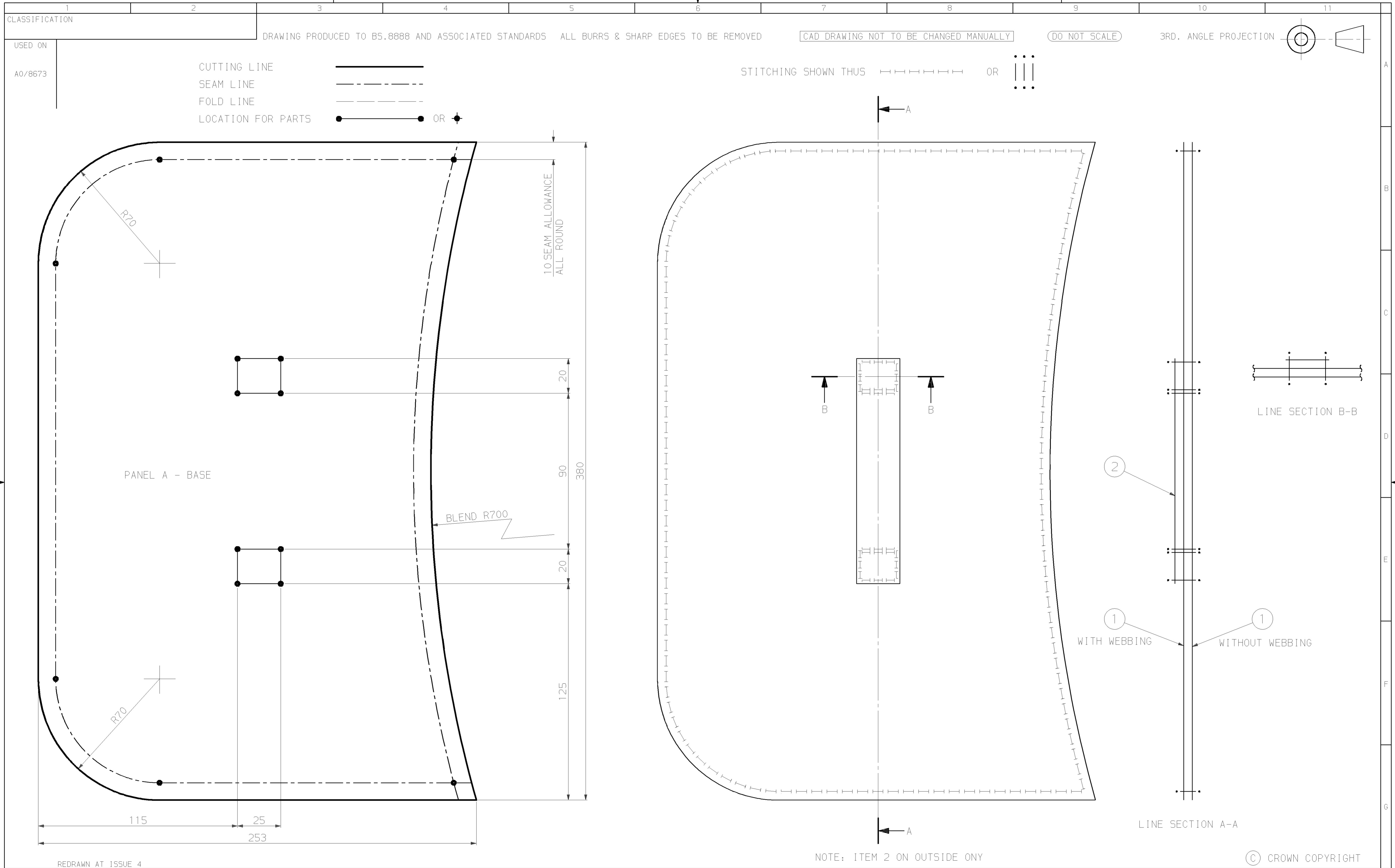
REDRAWN AT ISSUE 4

© CROWN COPYRIGHT

APPROVED M. KILBURN						MATERIAL SEE SPECIFICATION UK/SC/5168	TOLERANCES NONE	DIMENSIONS IN MILLIMETRES	CONTRACTOR A1-8680	CLASSIFICATION CONTRACTORS DRAWING NO.
CHECKED JWR						FINISH SEE SPECIFICATION UK/SC/5168	UNLESS OTHERWISE STATED	ORIGINAL SCALE 1:2	DEFENCE CLOTHING IPT (DLO CAVERSFIELD)	DRAWING NO. A1/8680
DRAWN JWR	4	25-07-05	C5 2329			CERTIFIED G. FULLAGAR	APPROVED FOR INSPECTION R. LAZENBY	REFERENCE No A/S 2450	TITLE RUCKSACK SHORT 90 PATTERN, BACK ASSEMBLY	SHEET No 1 OF 1
ISSUE	DATE	MOD NO.	ISSUE	DATE	MOD NO.				NSN *	







REDRAWN AT ISSUE 4

NOTE: ITEM 2 ON OUTSIDE ONLY

© CROWN COPYRIGHT

APPROVED M. KILBURN						MATERIAL SEE SPECIFICATION UK/SC/5168	TOLERANCES NONE	DIMENSIONS IN MILLIMETRES	CONTRACTOR A1-8682	CLASSIFICATION CONTRACTORS DRAWING NO.
CHECKED JWR						FINISH SEE SPECIFICATION UK/SC/5168	UNLESS OTHERWISE STATED	ORIGINAL SCALE 1:1	DEFENCE CLOTHING IPT (DLO CAVERSFIELD)	DRAWING NO. A1/8682
DRAWN JWR	4	25-07-05	C5 2329			CERTIFIED G. FULLAGAR	APPROVED FOR INSPECTION R. LAZENBY	REFERENCE No A/S 2450	TITLE RUCKSACK SHORT 90 PATTERN, BASE ASSEMBLY AND PANEL	SHEET No 1 OF 1
ISSUE	DATE	MOD NO.	ISSUE	DATE	MOD NO.				NSN *	

USED ON  A0/8673	CLASSIFICATION		CAD DRAWING NOT TO BE CHANGED MANUALLY			
	ITEM	DRG.No.	NAME		No. OFF	REMARKS
	1	A1/8707	PANEL A, CLOTH COATED PU ON NYLON, PATT No.8145F		1	
	2	N.D.	CORD, POLYESTER, SYC 32		1	CUT LENGTH 1600mm
	3	N.D.	EYELET AND WASHER, REF NO 2A/000/2B		14	
	4	N.D.	CORD GRIP, C1 3/4		1	

						1	25-07-05	CS 2329	
						ISSUE	DATE	MOD No	
ISSUE	DATE	MOD No	ISSUE	DATE	MOD No	REFERENCE No	A/S 2450		
APPROVED	CONTRACTOR					CERTIFIED	APP'D FOR INSPECTION		
M.KILBURN						G.FULLAGAR	R.LAZENBY		
CHECKED	A1-8683-IL-1					CLASSIFICATION			
JWR	DEFENCE CLOTHING IPT (DLO CAVERSFIELD)					CONTRACTORS ITEM LIST REF			
DRAWN	RUCKSACK SHORT 90					ITEM LIST FOR			SHEET No 1 OF 1
JWR	PATTERN SHROUD ASSEMBLY					A1/8683			
	NSN *								

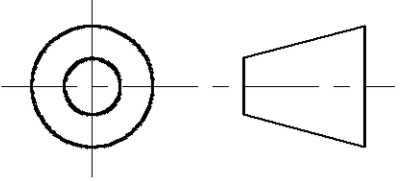
CLASSIFICATION

DRAWING PRODUCED TO BS.8888 AND ASSOCIATED STANDARDS ALL BURRS & SHARP EDGES TO BE REMOVED

CAD DRAWING NOT TO BE CHANGED MANUALLY

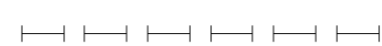

DO NOT SCALE

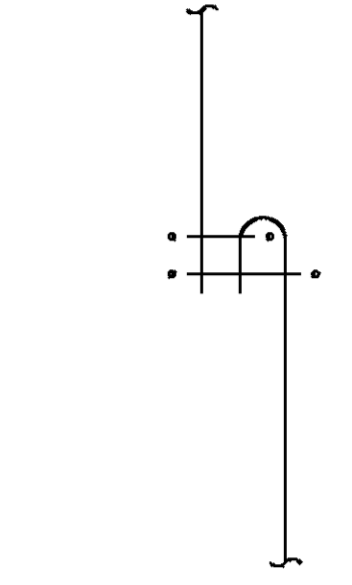
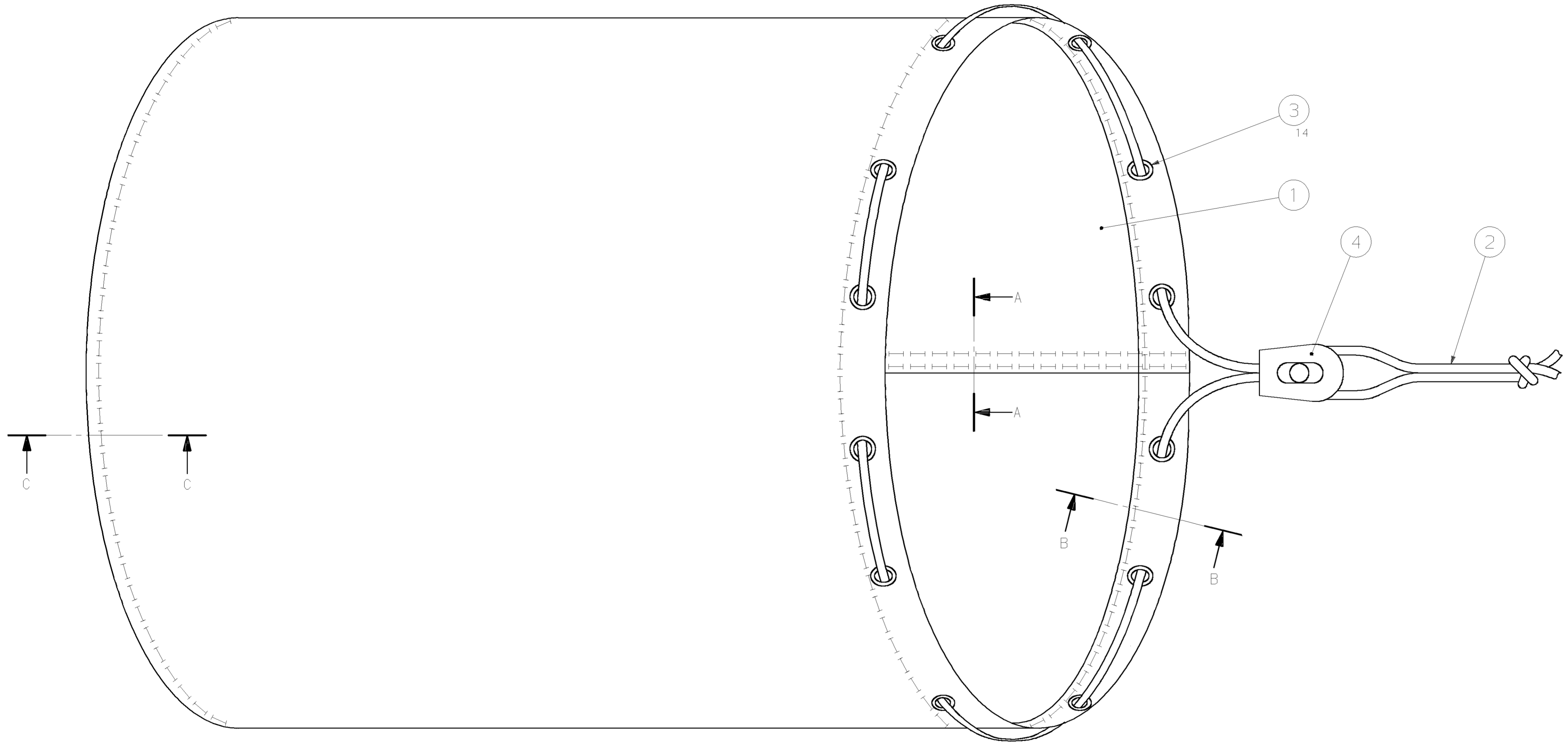
3RD. ANGLE PROJECTION



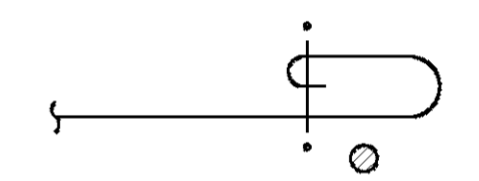
USED ON

A0/8673

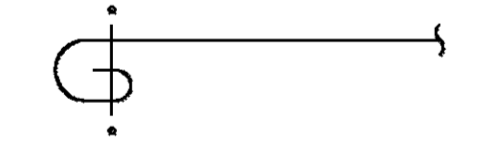
STITCHING SHOWN THUS  OR 



LINE SECTION A-A



LINE SECTION B-B



LINE SECTION C-C

REDRAWN AT ISSUE 4

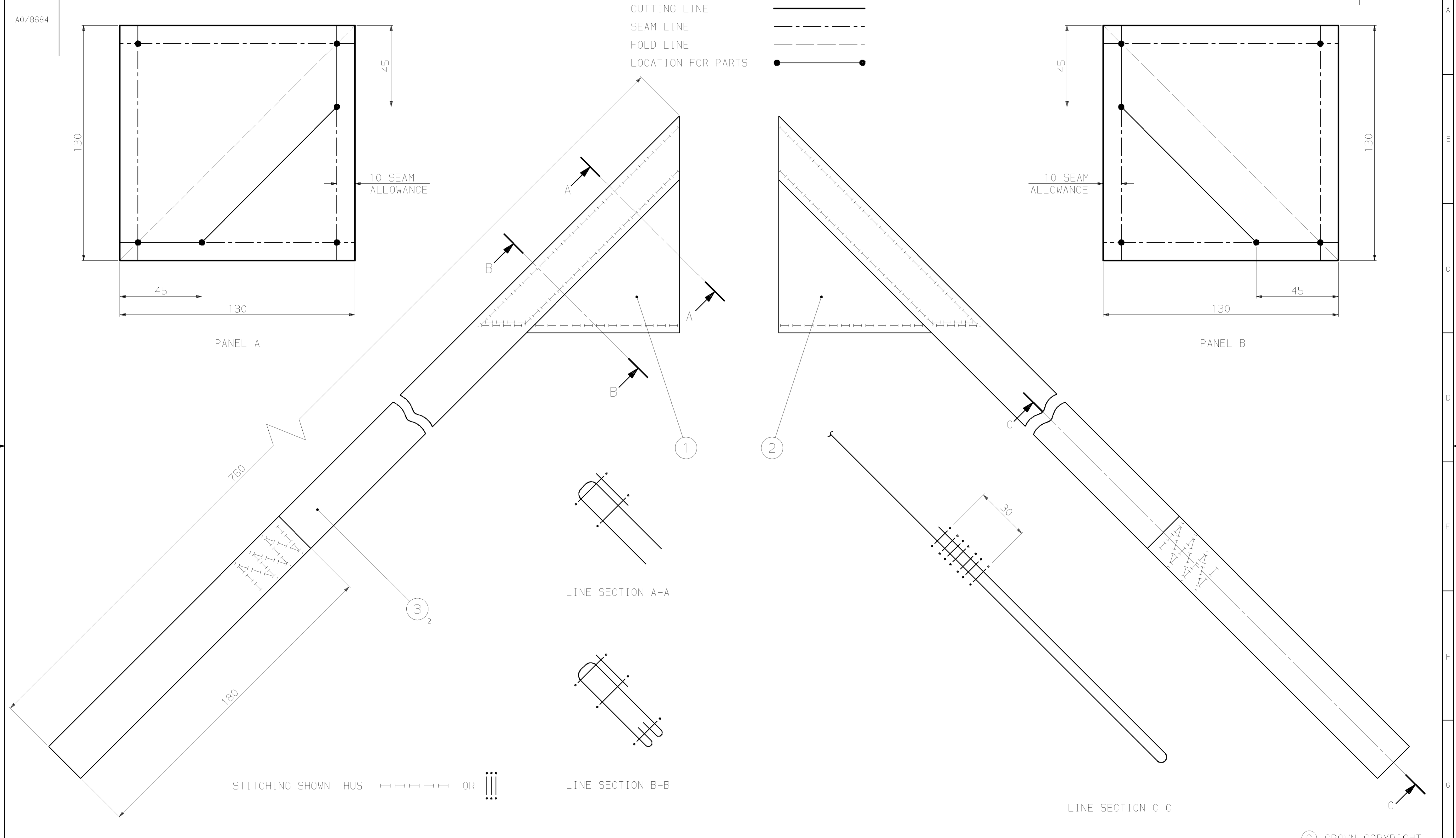
© CROWN COPYRIGHT

APPROVED M. KILBURN						MATERIAL SEE SPECIFICATION UK/SC/5168	TOLERANCES NONE	DIMENSIONS IN MILLIMETRES	CONTRACTOR DEFENCE CLOTHING IPT (DLO CAVERSFIELD)	CLASSIFICATION
CHECKED JWR						FINISH SEE SPECIFICATION UK/SC/5168	UNLESS OTHERWISE STATED	ORIGINAL SCALE 1:1	A1-8683	CONTRACTORS DRAWING NO.
DRAWN JWR	4	25-07-05	C5 2329			CERTIFIED G. FULLAGAR	APPROVED FOR INSPECTION R. LAZENBY	REFERENCE No A/S 2450	TITLE RUCKSACK SHORT 90 PATTERN SHROUD ASSEMBLY	DRAWING NO. A1/8683
	ISSUE	DATE	MOD NO.	ISSUE	DATE	MOD NO.			NSN *	SHEET No 1 OF 1



USED ON A0/8684 A0/8700	CLASSIFICATION					CAD DRAWING NOT TO BE CHANGED MANUALLY				
	ITEM	DRG.No.	NAME	No. OFF	REMARKS					
	1	A1/8687	PANEL A, CLOTH COATED PU ON NYLON, PATT No.8725C	1						
	2	A1/8687	PANEL B, CLOTH COATED PU ON NYLON, PATT No.8725C	1						
	3	N.D.	WEBBING, 25mm WIDE, PATT No.9350F	2	CUT LENGTH 940mm					
				1	25-07-05	CS 2329				
				ISSUE	DATE	MOD No				
ISSUE	DATE	MOD No	ISSUE	DATE	MOD No	REFERENCE No		A/S 2450		
APPROVED M.KILBURN	CONTRACTOR					CERTIFIED G.FULLAGAR		APP'D FOR INSPECTION R.LAZENBY		
CHECKED JWR	A1-8687-IL-1			CLASSIFICATION						
DRAWN JWR	DEFENCE CLOTHING IPT (DLO CAVERSFIELD)					CONTRACTORS ITEM LIST REF				
	TITLE RUCKSACK LONG AND SHORT 90 PATTERN, STRAP TAB ASSEMBLY AND PANELS					ITEM LIST FOR <b>A1/8687</b>		SHEET No 1 OF 1		
	NSN *									





APPROVED M. KILBURN							MATERIAL SEE SPECIFICATION UK/SC/5168		TOLERANCES NONE		DIMENSIONS IN MILLIMETRES		CONTRACTOR DEFENCE CLOTHING IPT (DLO CAVERSFIELD)		CLASSIFICATION A1-8687	
CHECKED JWR							FINISH SEE SPECIFICATION UK/SC/5168		UNLESS OTHERWISE STATED		ORIGINAL SCALE 1:1		TITLE RUCKSACK LONG AND SHORT 90 PATTERN, STRAP TAB ASSEMBLY AND PANELS		CONTRACTORS DRAWING NO.	
DRAWN JWR							CERTIFIED G. FULLAGAR		APPROVED FOR INSPECTION R. LAZENBY		REFERENCE No A/S 2450		DRAWING NO. A1/8687		SHEET No 1 OF 1	
6							25-07-05		C5 2329							
ISSUE							DATE		MOD NO.		ISSUE		DATE		MOD NO.	

USED ON

CLASSIFICATION

CAD DRAWING NOT TO BE CHANGED MANUALLY

A0/8675  
A0/8681

ITEM	DRG.No.	NAME	No. OFF	REMARKS
1	A1/8693	PANEL A, CLOTH COATED PU ON NYLON, PATT No.8725C	1	
2	N.D.	TAPE TEXTILE, 19mm WIDE, PATT No.9447F	AS REQ.	
3	N.D.	TOUCH & CLOSE, HOOK, 20mm WIDE	1	CUT LENGTH 100mm

						1	25-07-05	CS 2329
ISSUE	DATE	MOD No	ISSUE	DATE	MOD No	ISSUE	DATE	MOD No
						REFERENCE No	A/S 2450	

APPROVED M.KILBURN	CONTRACTOR	CERTIFIED G.FULLAGAR	APP'D FOR INSPECTION R.LAZENBY
-----------------------	------------	-------------------------	-----------------------------------

CHECKED JWR	A1-8693-IL-1	CLASSIFICATION
----------------	--------------	----------------

DRAWN JWR	DEFENCE CLOTHING IPT (DLO CAVERSFIELD)	CONTRACTORS ITEM LIST REF
--------------	----------------------------------------	---------------------------

NSN *	TITLE RUCKSACK LONG AND SHORT 90 PATTERN FRONT POCKET LID ASSEMBLY AND PANEL	ITEM LIST FOR A1/8693	SHEET No 1 OF 1
-------	---------------------------------------------------------------------------------------	--------------------------	-----------------------

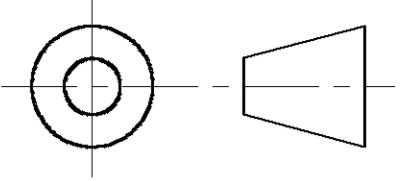
CLASSIFICATION

DRAWING PRODUCED TO BS.8888 AND ASSOCIATED STANDARDS ALL BURRS & SHARP EDGES TO BE REMOVED

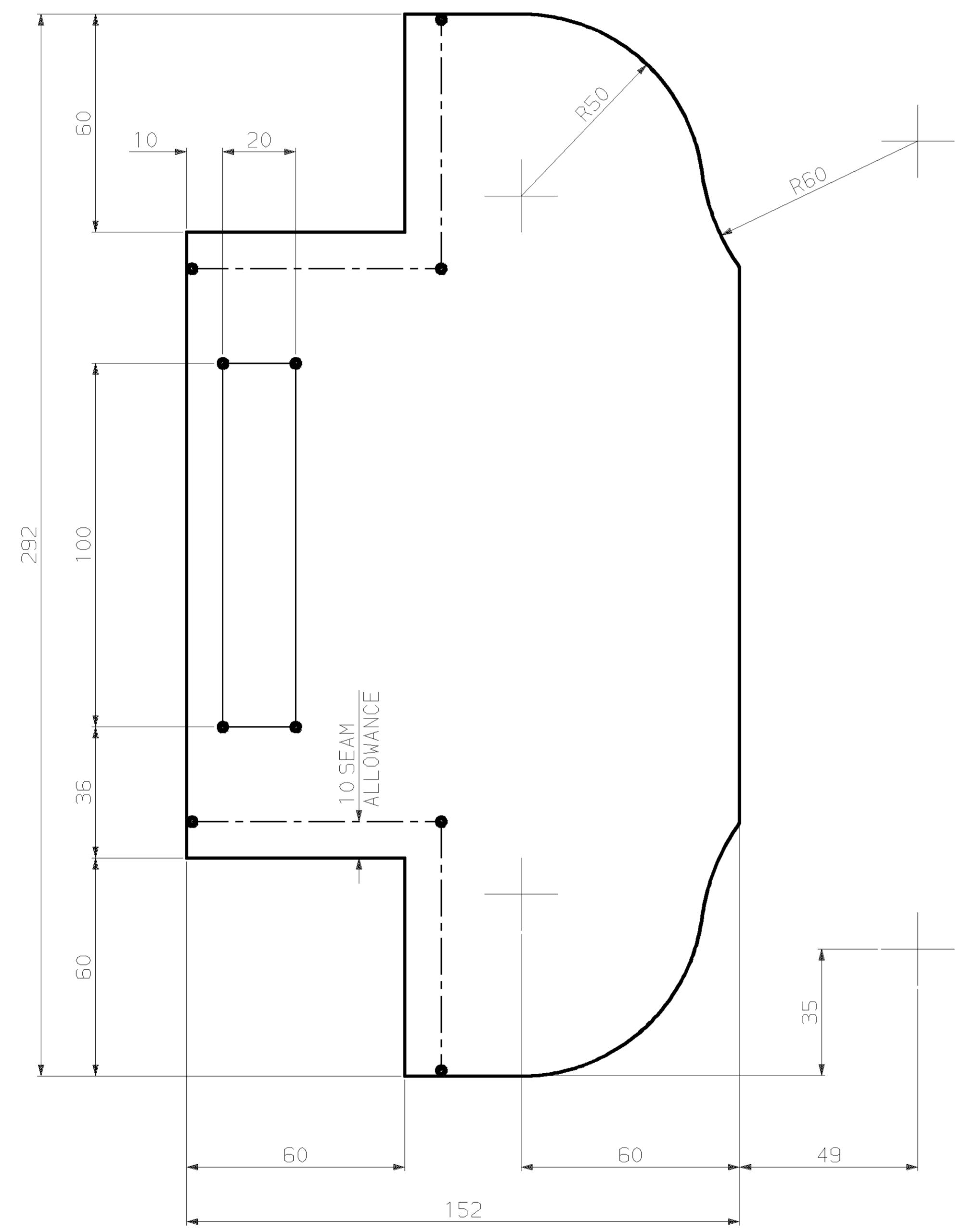
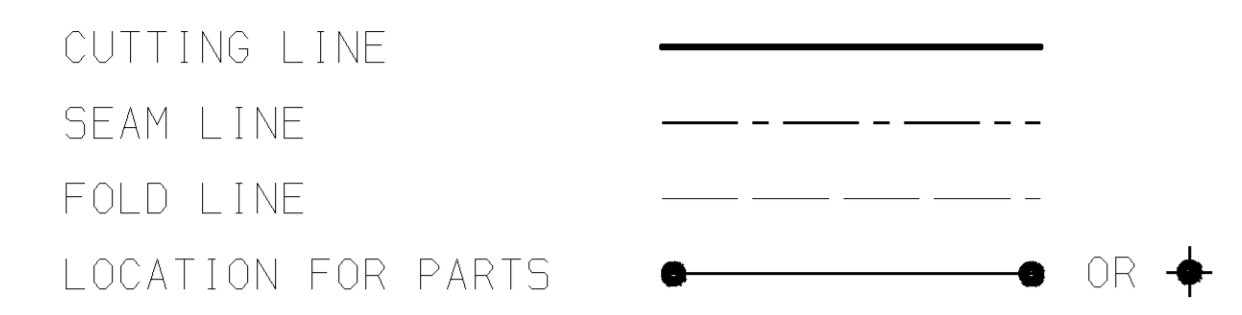
CAD DRAWING NOT TO BE CHANGED MANUALLY

DO NOT SCALE

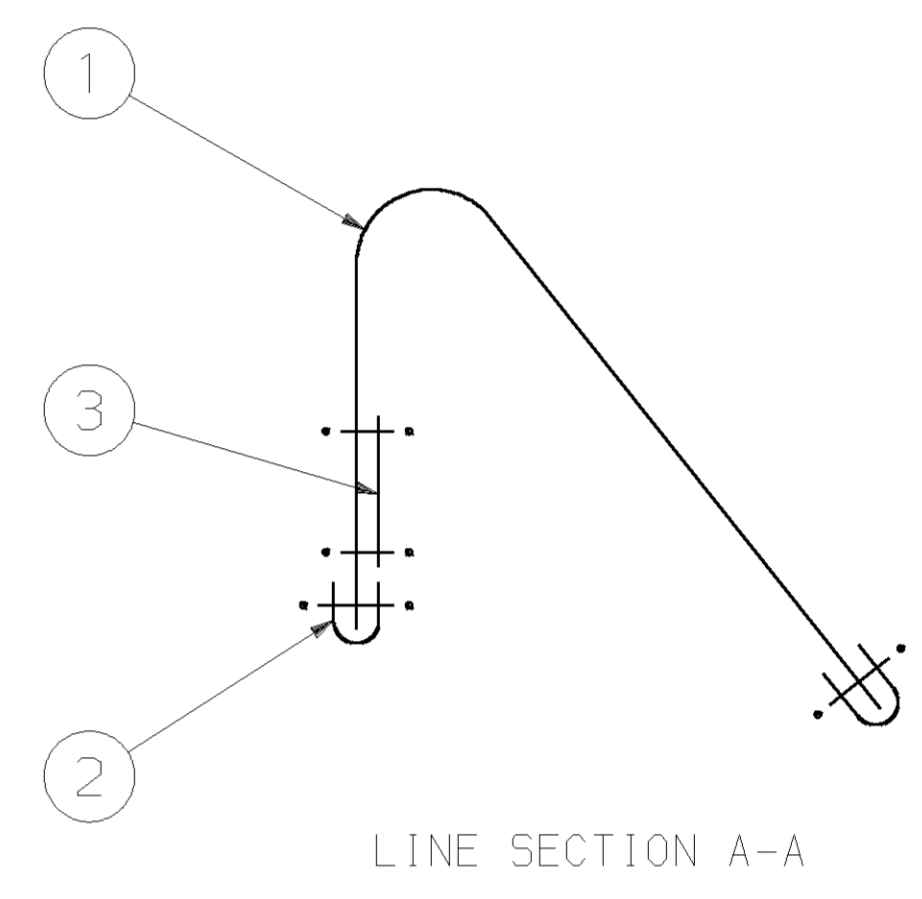
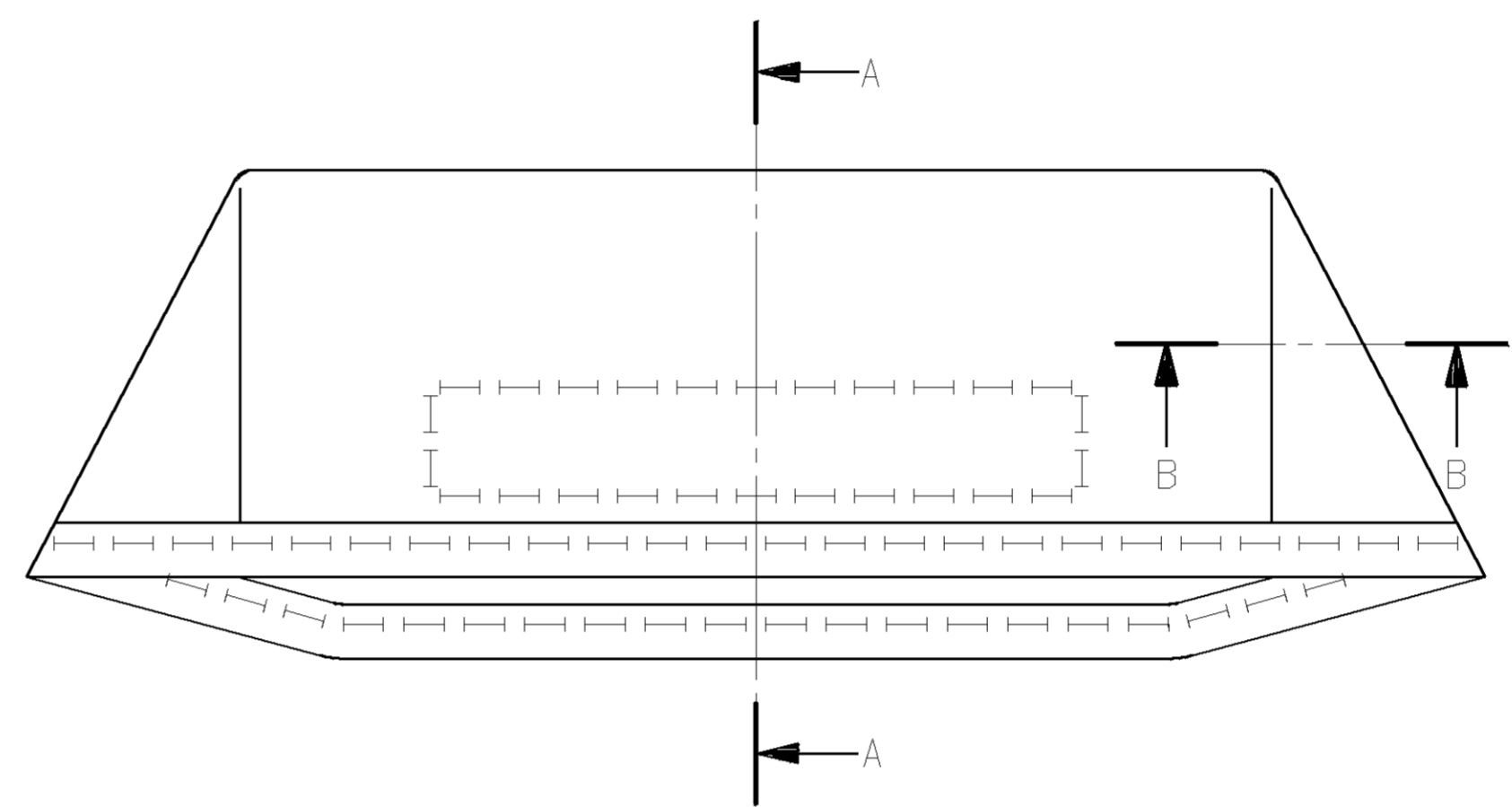
3RD. ANGLE PROJECTION



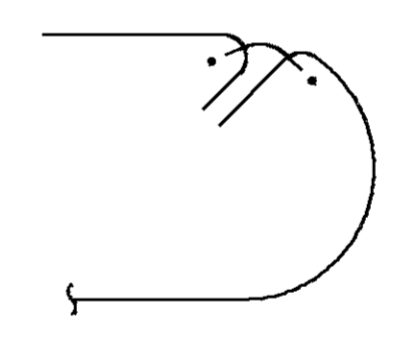
USED ON  
A0/8675  
A0/8681



PANEL A  
FRONT POCKET LID



LINE SECTION A-A



LINE SECTION B-B  
(TYPICAL THROUGH SEAMS)

STITCHING SHOWN THUS ———— OR |||

© CROWN COPYRIGHT

REDRAWN AT ISSUE 4

APPROVED M. KILBURN						MATERIAL SEE SPECIFICATION UK/SC/5168	TOLERANCES NONE	DIMENSIONS IN MILLIMETRES	CONTRACTOR A1-8693 DEFENCE CLOTHING IPT (DLO CAVERSFIELD)	CLASSIFICATION
CHECKED JWR						FINISH SEE SPECIFICATION UK/SC/5168	UNLESS OTHERWISE STATED	ORIGINAL SCALE 1:1	TITLE RUCKSACK LONG AND SHORT 90 PATTERN FRONT POCKET LID ASSEMBLY AND PANEL	CONTRACTORS DRAWING NO.
DRAWN JWR	4	25-07-05	C5 2329			CERTIFIED G. FULLAGAR	APPROVED FOR INSPECTION R. LAZENBY	REFERENCE No A/S 2450	NSN *	DRAWING NO. A1/8693
	ISSUE	DATE	MOD NO.	ISSUE	DATE	MOD NO.				SHEET No 1 OF 1

USED ON	CLASSIFICATION					CAD DRAWING NOT TO BE CHANGED MANUALLY		
A0/8681	ITEM	DRG.No.	NAME			No. OFF	REMARKS	
	1	A0/8705	PANEL A, CLOTH COATED PU ON NYLON, PATT No.8725C			1		
	2	A0/8705	PANEL B, CLOTH COATED PU ON NYLON, PATT No.8725C			1		
	3	A0/8705	PANEL C, CLOTH COATED PU ON NYLON, PATT No.8725C			1		
	4	A0/8705	PANEL D, CLOTH COATED PU ON NYLON, PATT No.8725C			1		
	5	N.D.	WEBBING, 25mm WIDE, PATT No.9350F			2	CUT LENGTH 400mm	
	6	N.D.	CORD BRAIDED, 7mm WIDE, PATT No.9505C			2	CUT LENGTH 200mm	
	7	N.D.	SLIDE FASTENER, 19mm WIDE, 350mm LONG, OPEN END			2		
						1	25-07-05	CS 2329
						ISSUE	DATE	MOD No
	ISSUE	DATE	MOD No	ISSUE	DATE	MOD No	REFERENCE No A/S 2450	
	APPROVED	CONTRACTOR				CERTIFIED		APP'D FOR INSPECTION
	M.KILBURN					G.FULLAGAR		R.LAZENBY
	CHECKED	A1-8704-IL-1				CLASSIFICATION		
	JWR	DEFENCE CLOTHING IPT (DLO CAVERSFIELD)				CONTRACTORS ITEM LIST REF		
DRAWN	TITLE				ITEM LIST FOR		SHEET	
JWR	RUCKSACK SHORT 90 PATTERN ZIP COVER ASSEMBLIES				A1/8704		No 1 OF 1	
	NSN *							



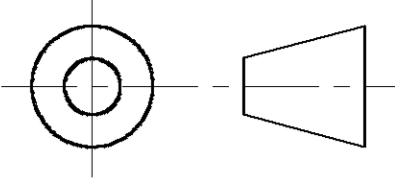
CLASSIFICATION

DRAWING PRODUCED TO BS.8888 AND ASSOCIATED STANDARDS ALL BURRS & SHARP EDGES TO BE REMOVED

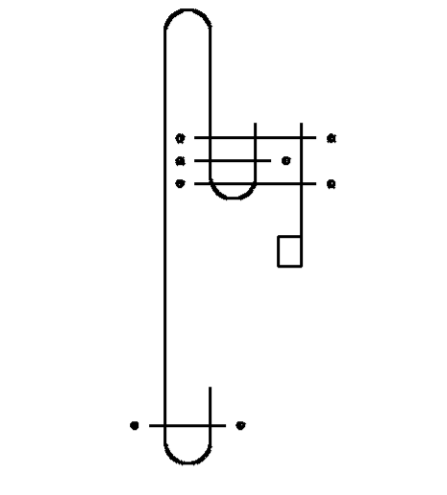
CAD DRAWING NOT TO BE CHANGED MANUALLY

DO NOT SCALE

3RD. ANGLE PROJECTION

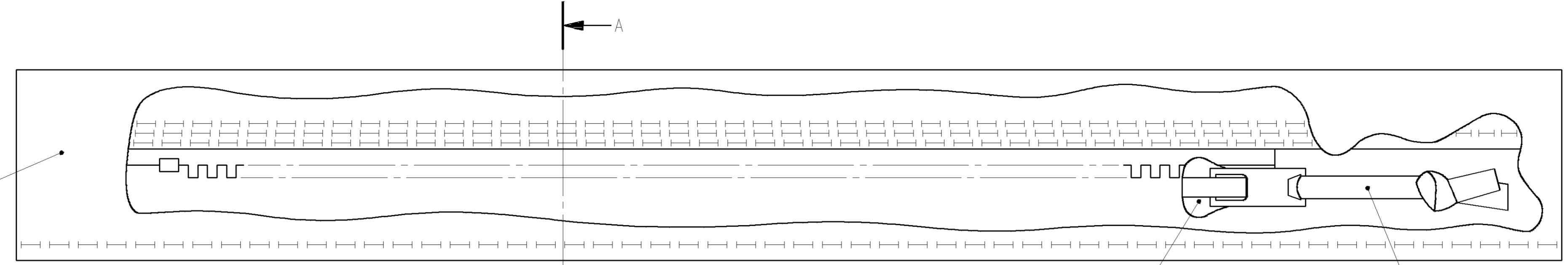


USED ON  
A0/8681



LINE SECTION A-A

2



A

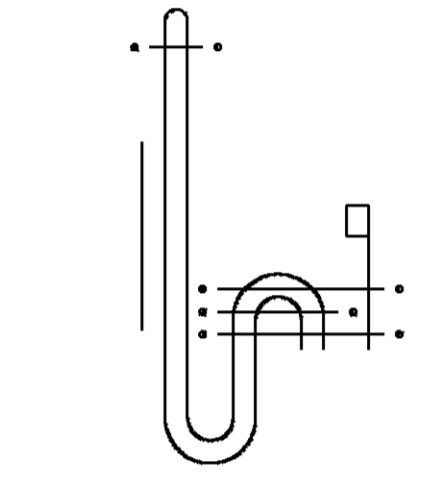
ZIP COVER ASSEMBLY, RIGHT HAND

7  
2

5  
2

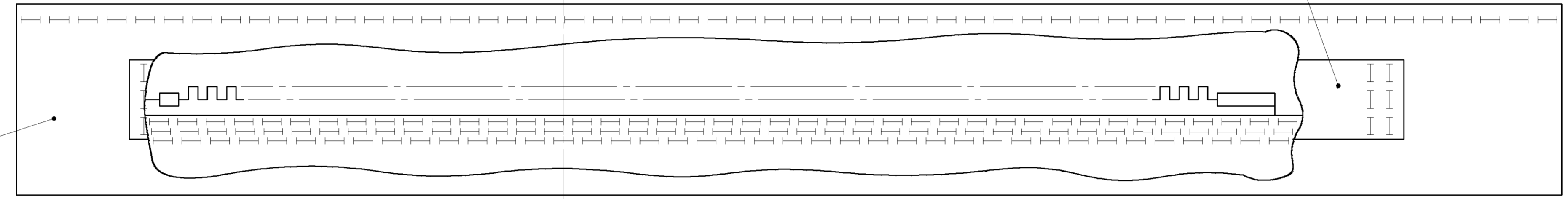
6  
2

KNOT TO SECURE



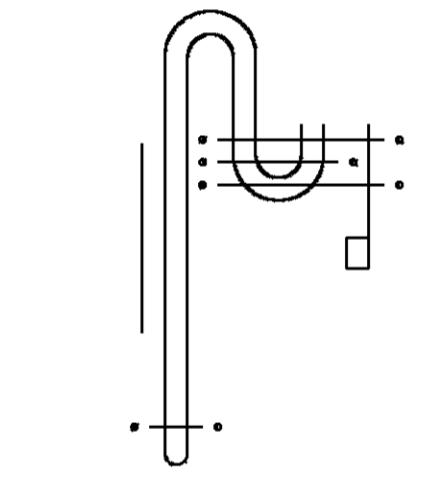
LINE SECTION B-B

4



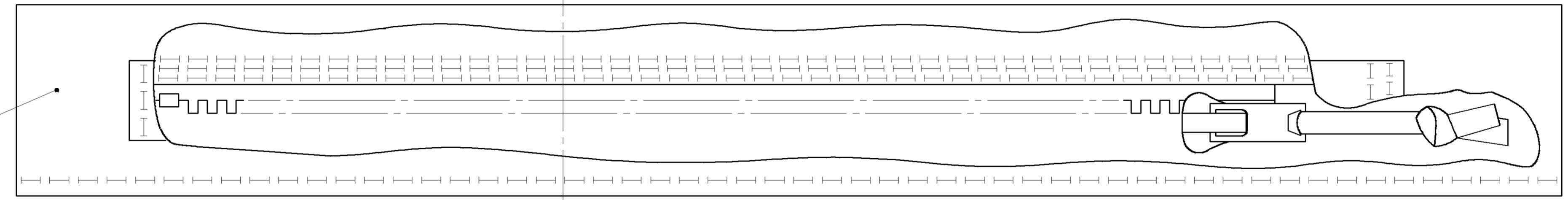
B

ZIP COVER ASSEMBLY WITH WEBBING, RIGHT HAND



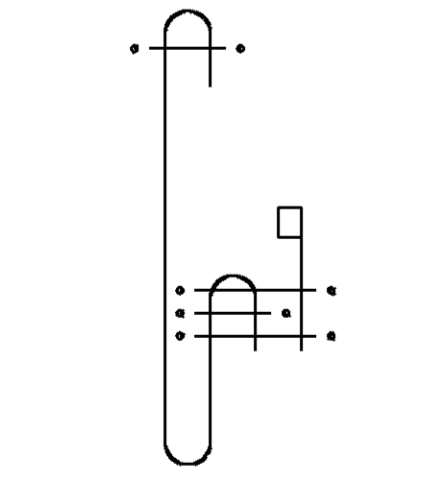
LINE SECTION C-C

3



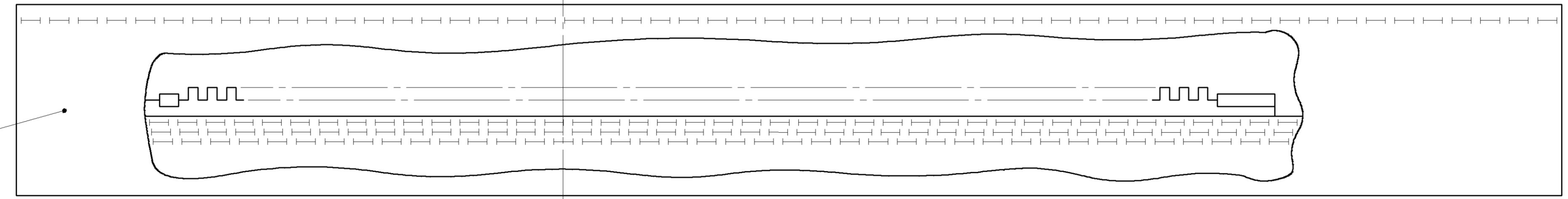
C

ZIP COVER ASSEMBLY WITH WEBBING, LEFT HAND



LINE SECTION D-D

1



D

ZIP COVER ASSEMBLY, LEFT HAND

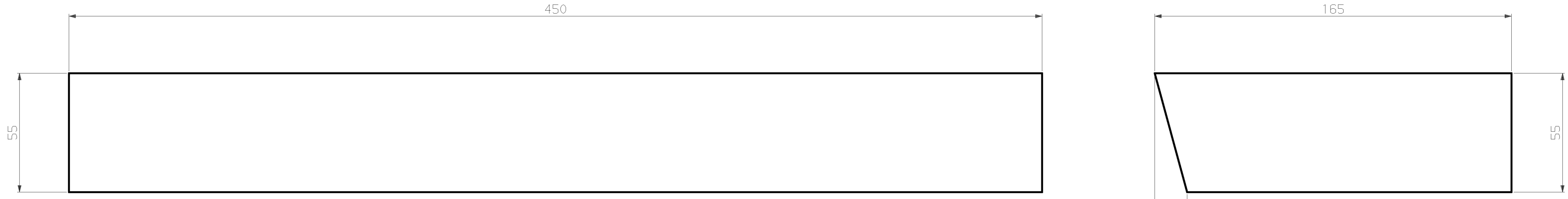
STITCHING SHOWN THUS ———— OR |||

© CROWN COPYRIGHT

REDRAWN AT ISSUE 4

APPROVED M. KILBURN						MATERIAL SEE SPECIFICATION UK/SC/5168	TOLERANCES NONE	DIMENSIONS IN MILLIMETRES	CONTRACTOR A1-8704	CLASSIFICATION
CHECKED JWR						FINISH SEE SPECIFICATION UK/SC/5168	UNLESS OTHERWISE STATED	ORIGINAL SCALE 1:1	DEFENCE CLOTHING IPT (DLO CAVERSFIELD)	CONTRACTORS DRAWING NO.
DRAWN JWR	4	25-07-05	C5 2329			CERTIFIED G. FULLAGAR	APPROVED FOR INSPECTION R. LAZENBY	REFERENCE No A/S 2450	TITLE RUCKSACK SHORT 90 PATTERN ZIP COVER ASSEMBLIES	DRAWING NO. A1/8704
ISSUE	DATE	MOD NO.	ISSUE	DATE	MOD NO.				NSN *	SHEET No 1 OF 1





CUTTING LINE

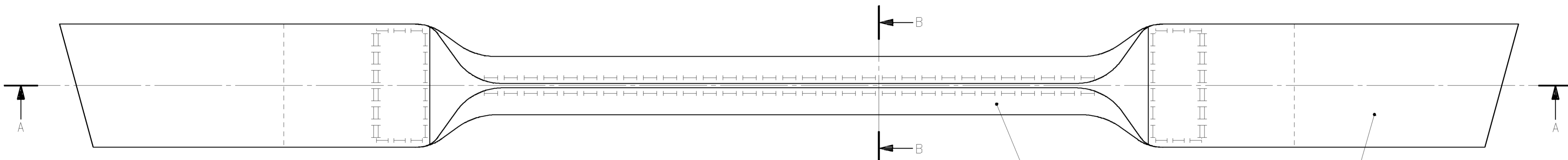
SEAM LINE

FOLD LINE

LOCATION FOR PARTS

PANEL A

PANEL B



LINE SECTION A-A

LINE SECTION B-B



STITCHING SHOWN THUS OR

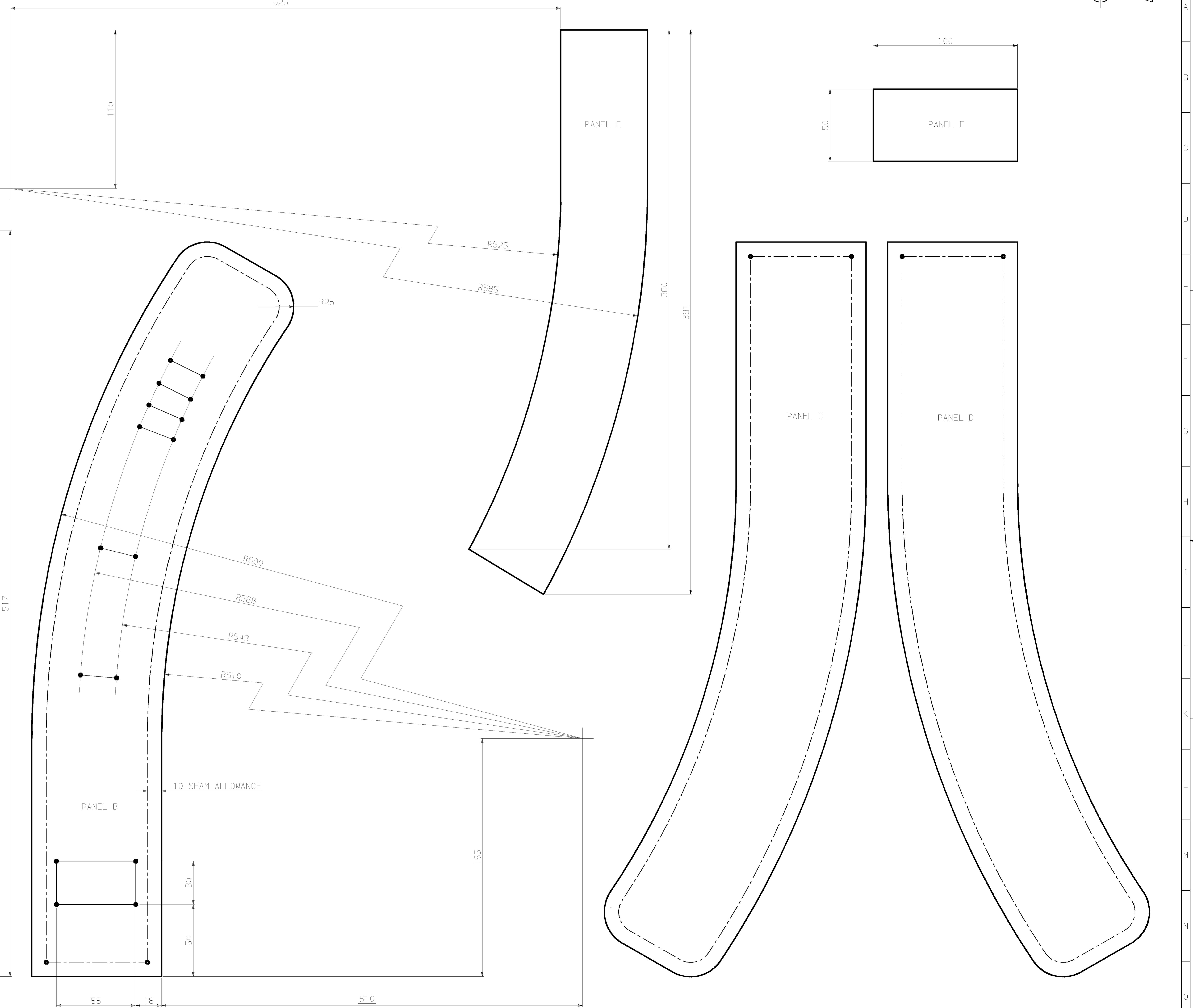
© CROWN COPYRIGHT

APPROVED M. KILBURN						MATERIAL SEE SPECIFICATION UK/SC/5168	TOLERANCES NONE	DIMENSIONS IN MILLIMETRES	CONTRACTOR A1-8708	CLASSIFICATION
CHECKED JWR						FINISH SEE SPECIFICATION UK/SC/5168	UNLESS OTHERWISE STATED	ORIGINAL SCALE 1:1	DEFENCE CLOTHING IPT (DLO CAVERSFIELD)	CONTRACTORS DRAWING NO.
DRAWN JWR	1	25-07-05	C5 2329			CERTIFIED G. FULLAGAR	APPROVED FOR INSPECTION R. LAZENBY	REFERENCE No A/S 2450	TITLE RUCKSACK LONG AND SHORT 90 PATTERN, HANDLE ASSEMBLY AND PANELS	DRAWING NO. A1/8708
ISSUE			DATE	MOD NO.	ISSUE	DATE	MOD NO.	NSN *	SHEET No 1 OF 1	

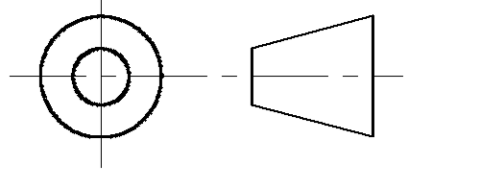
USED ON  
A0/8685

CUTTING LINE  
SEAM LINE  
FOLD LINE  
LOCATION FOR PARTS

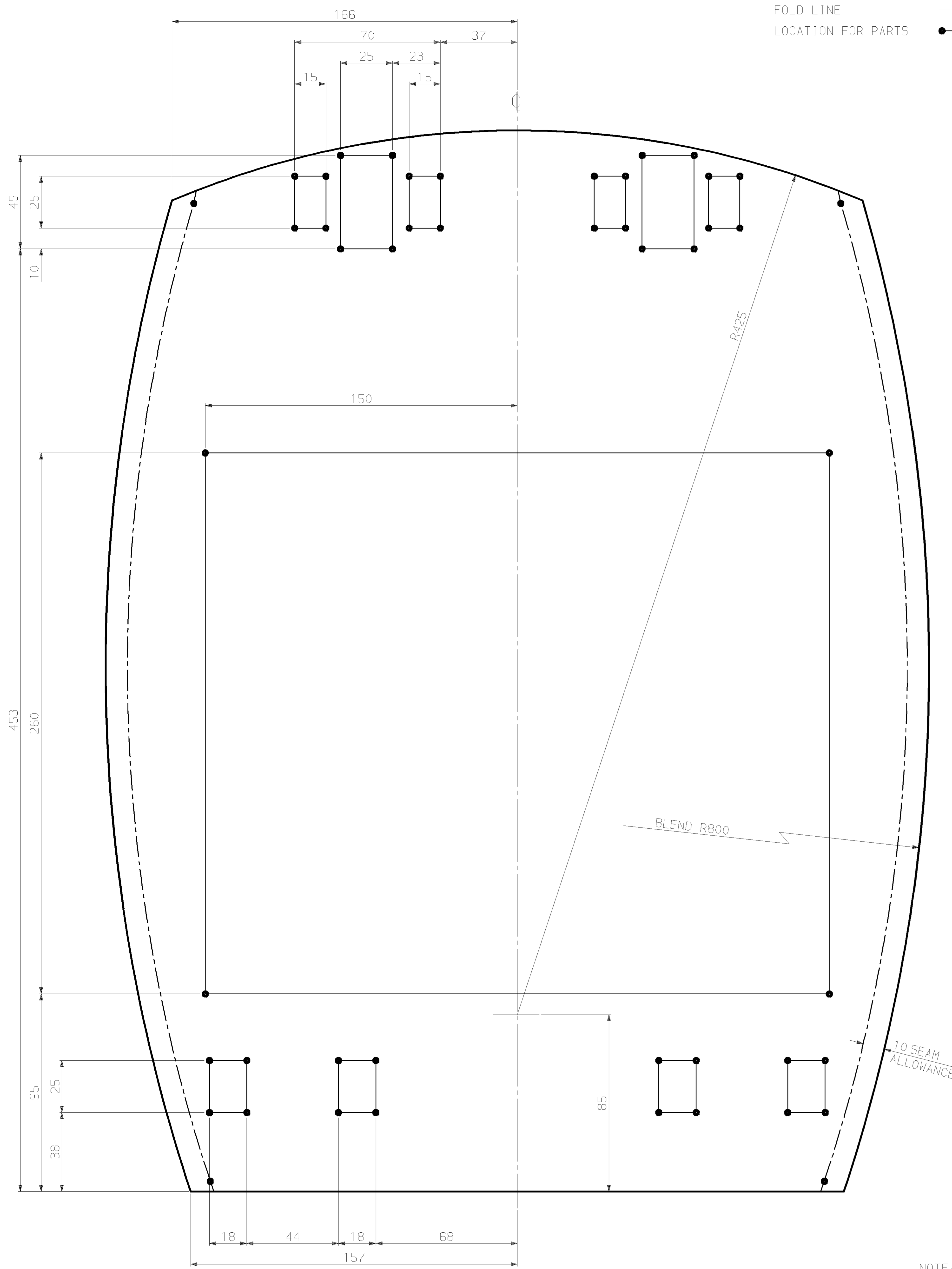
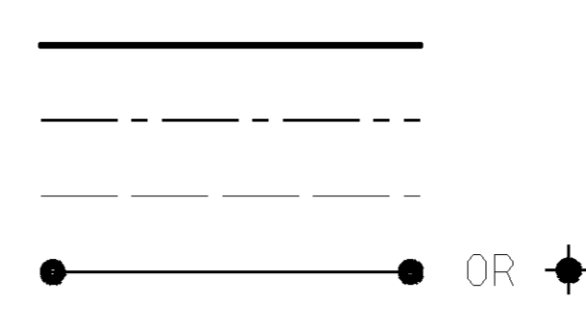
NOTE: DIMENSIONS FOR PANELS A, B, C & D ARE THE SAME.



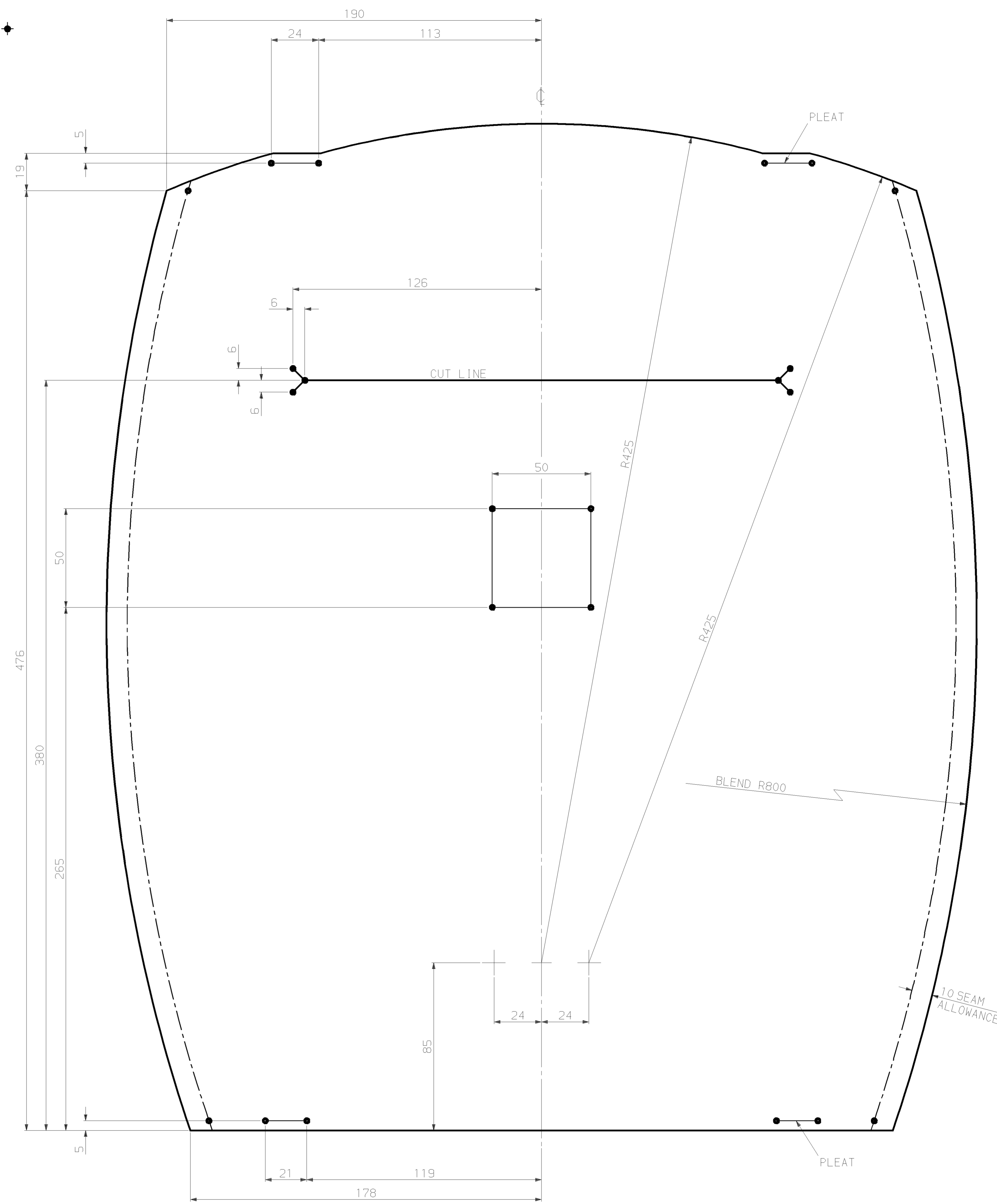
REDRAWN AT ISSUE 4										CERTIFIED		MATERIAL		TOLERANCES		DIMENSIONS IN		CONTRACTOR		CLASSIFICATION	
APPROVED M.KILBURN										G.FULLAGAR		NONE		NONE		MILLIMETRES		A0-8689		A0-8689	
CHECKED JWR										APPROVED FOR INSPECTION		FINISH		UNLESS OTHERWISE STATED		ORIGINAL SCALE		DEFENCE CLOTHING IPT (DLO CAVERSFIELD)		CONTRACTORS DRAWING NO.	
DRAWN JWR										R.LAZENBY		NONE		REFERENCE No A/S 2450		1:1		TITLE RUCKSACK LONG AND SHORT 90 PATTERN SHOULDER STRAP PANELS A TO E		DRAWING NO. A0/8689	
ISSUE DATE MOD NO. ISSUE DATE MOD NO. ISSUE DATE MOD NO. ISSUE DATE MOD NO.																		NSN *		SHEET No 1 OF 1	



CUTTING LINE  
 SEAM LINE  
 FOLD LINE  
 LOCATION FOR PARTS



PANEL A  
TOP LID, OUTER



PANEL B  
TOP LID, INNER

NOTE:  
DIMENSIONS FOR BOTH PANELS  
SYMMETRICAL ABOUT  $\phi$ .

REDRAWN AT ISSUE 3

APPROVED	M. KILBURN								
CHECKED	JWR								
DRAWN	JWR	3	25-07-05	CS 2329					
ISSUE	DATE	MOD NO.	ISSUE	DATE	MOD NO.	ISSUE	DATE	MOD NO.	

CERTIFIED	G. FULLAGAR
APPROVED FOR INSPECTION	R. LAZENBY

MATERIAL	NONE
FINISH	NONE

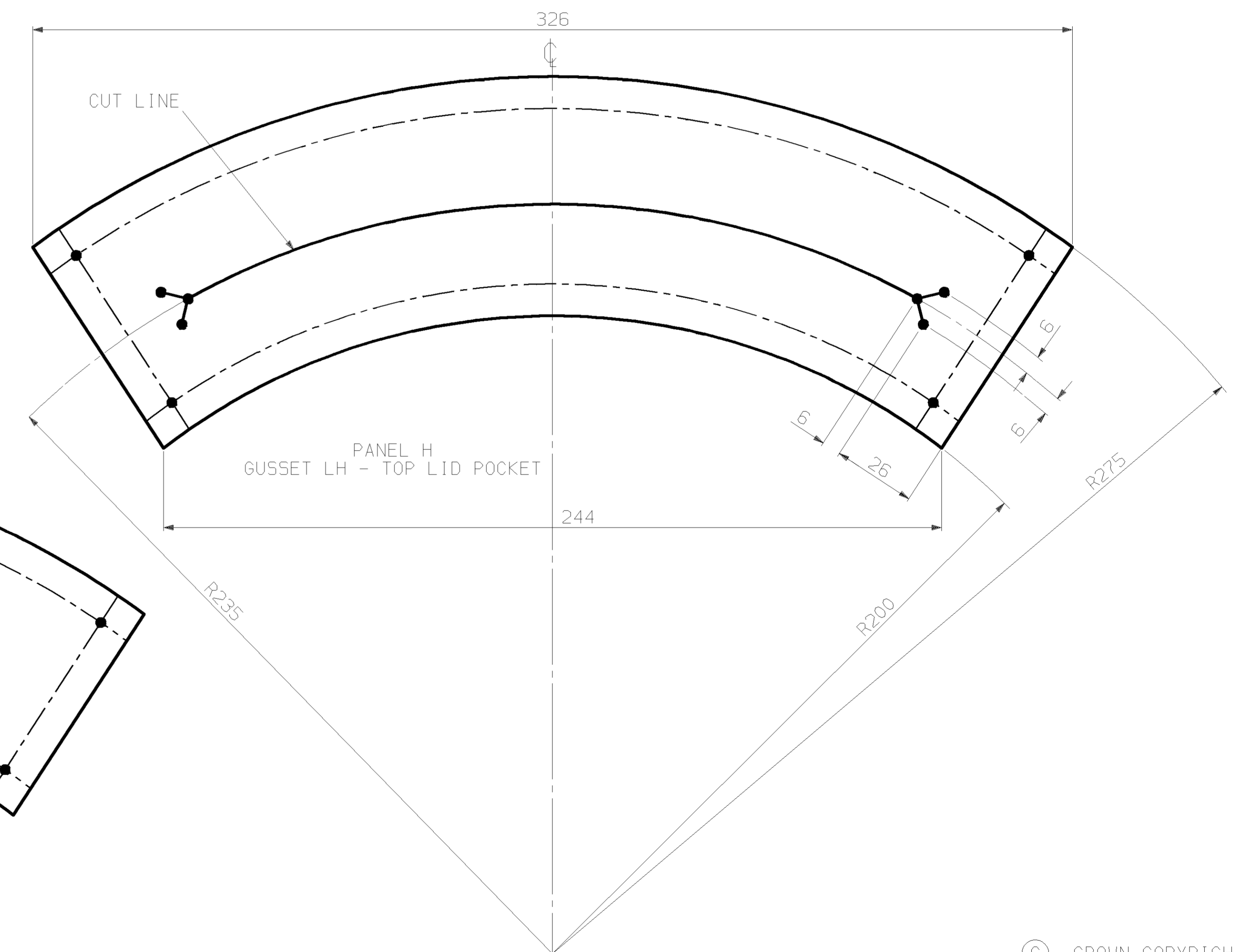
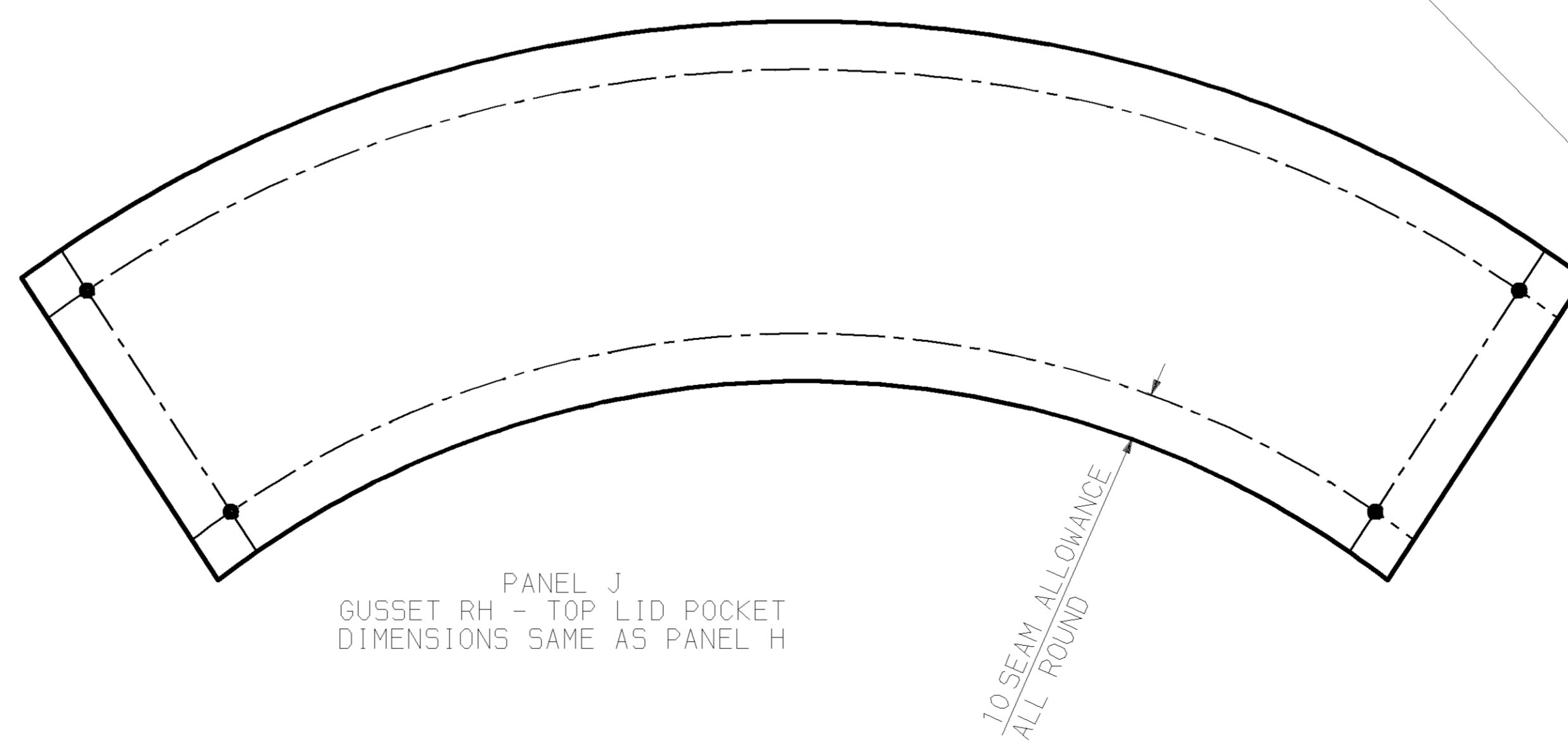
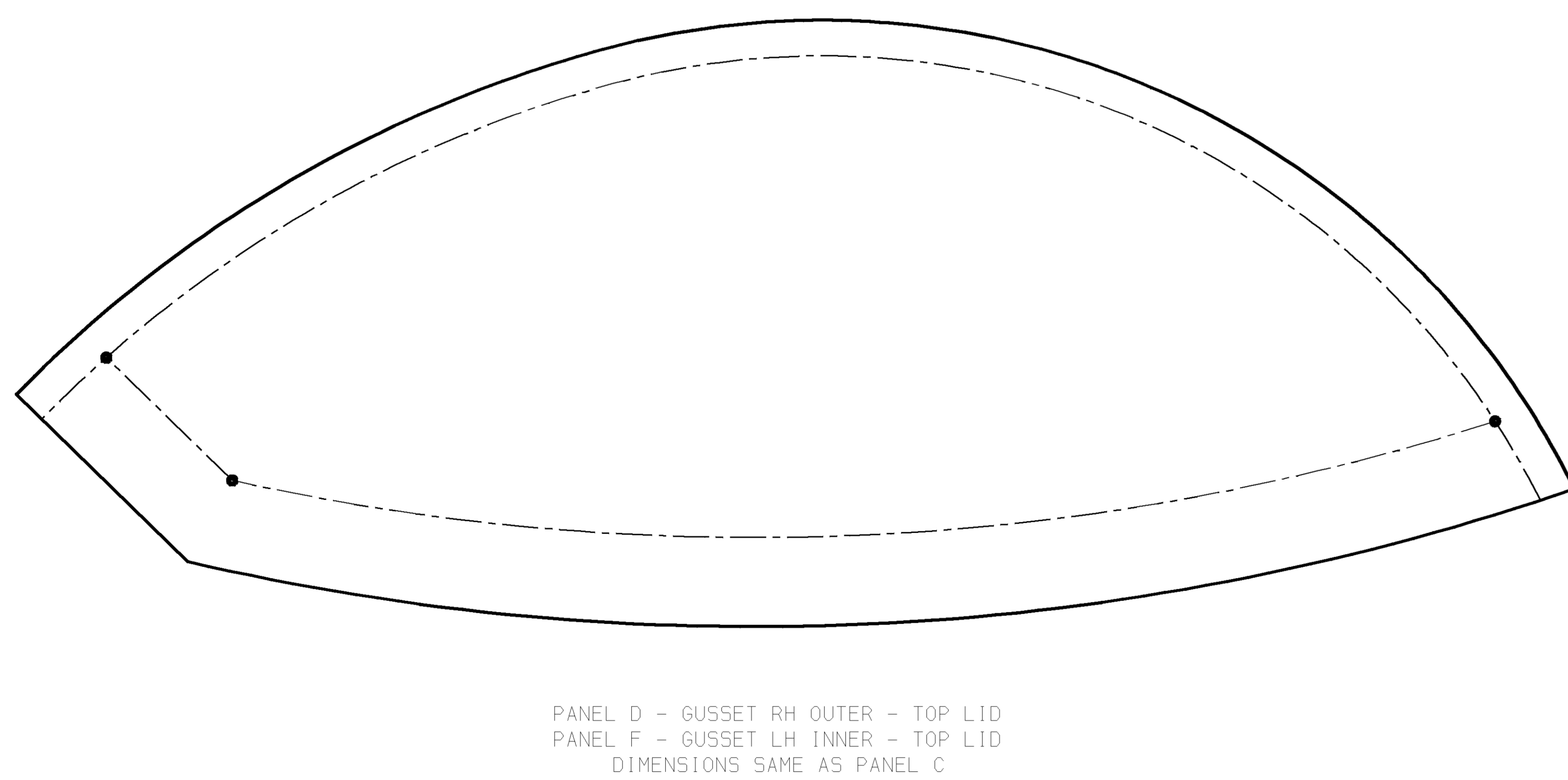
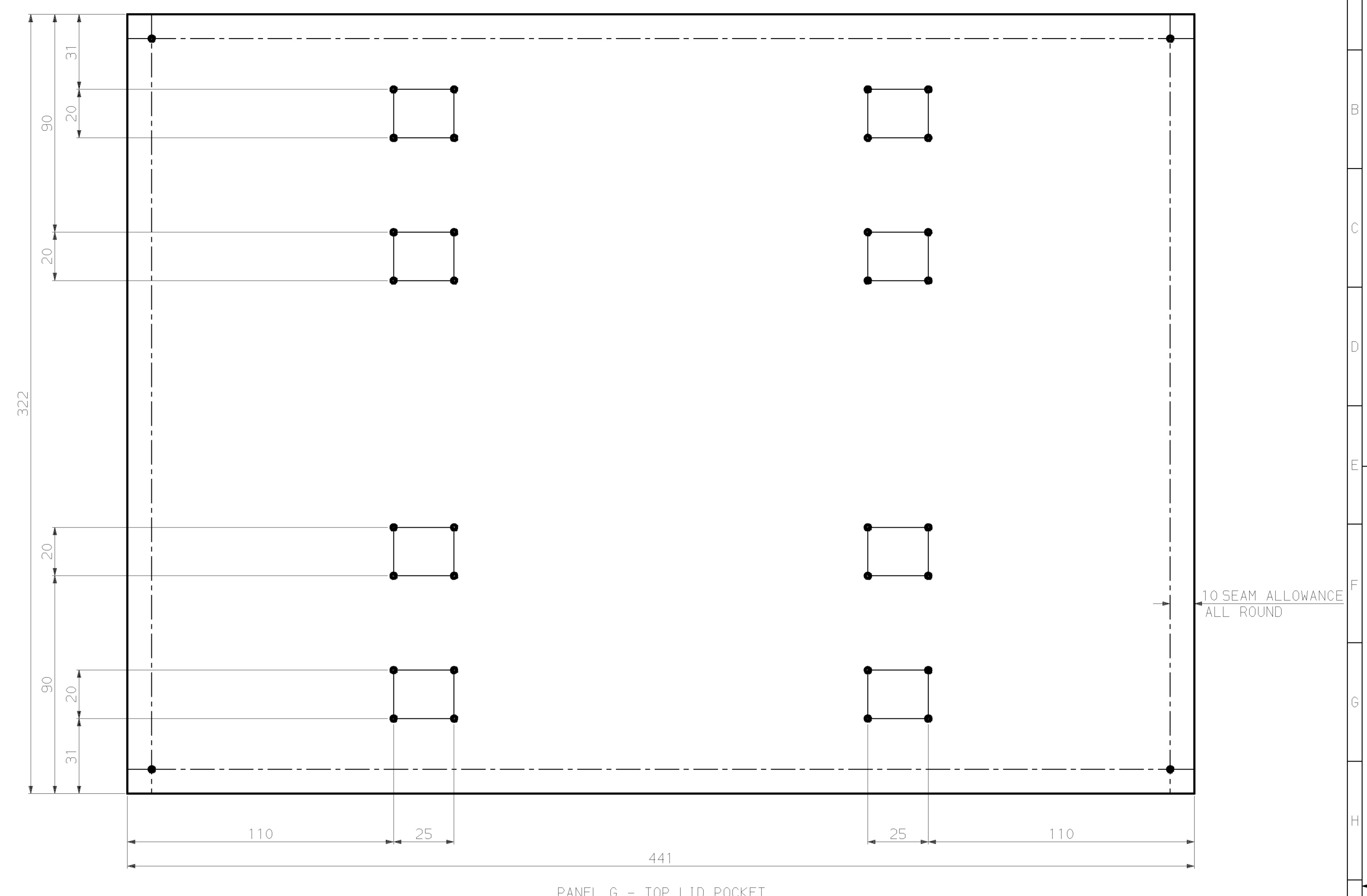
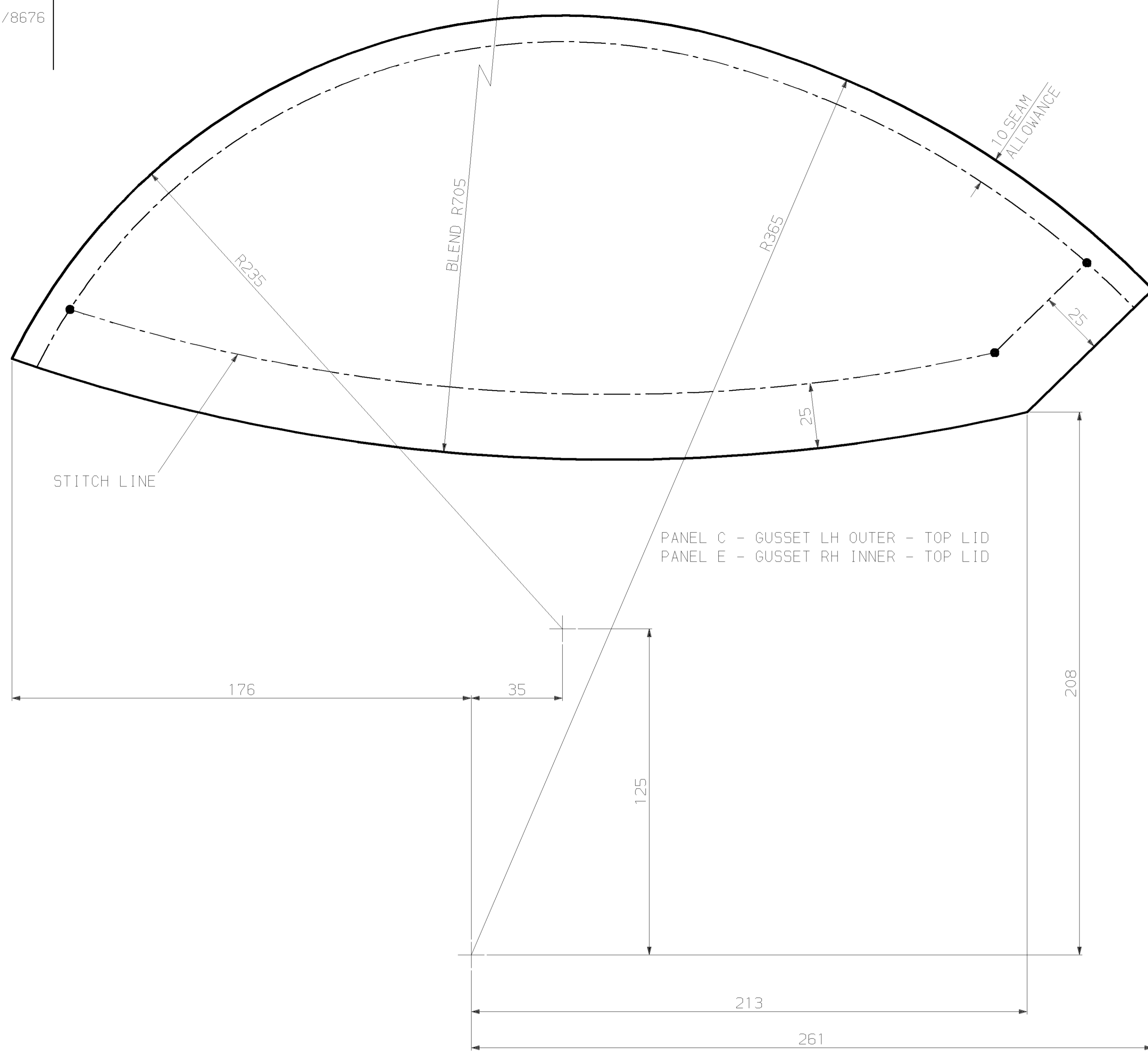
TOLERANCES	NONE UNLESS OTHERWISE STATED
REFERENCE No	A/S 2450

DIMENSIONS IN	MILLIMETRES
ORIGINAL SCALE	1:1

CONTRACTOR	AO-8697
TITLE	RUCKSACK LONG AND SHORT 90 PATTERN TOP LID OUTER AND INNER PANELS

CLASSIFICATION	CONTRACTORS DRAWING NO.
DRAWING NO.	A0/8697
SHEET No 1 OF 1	

© CROWN COPYRIGHT

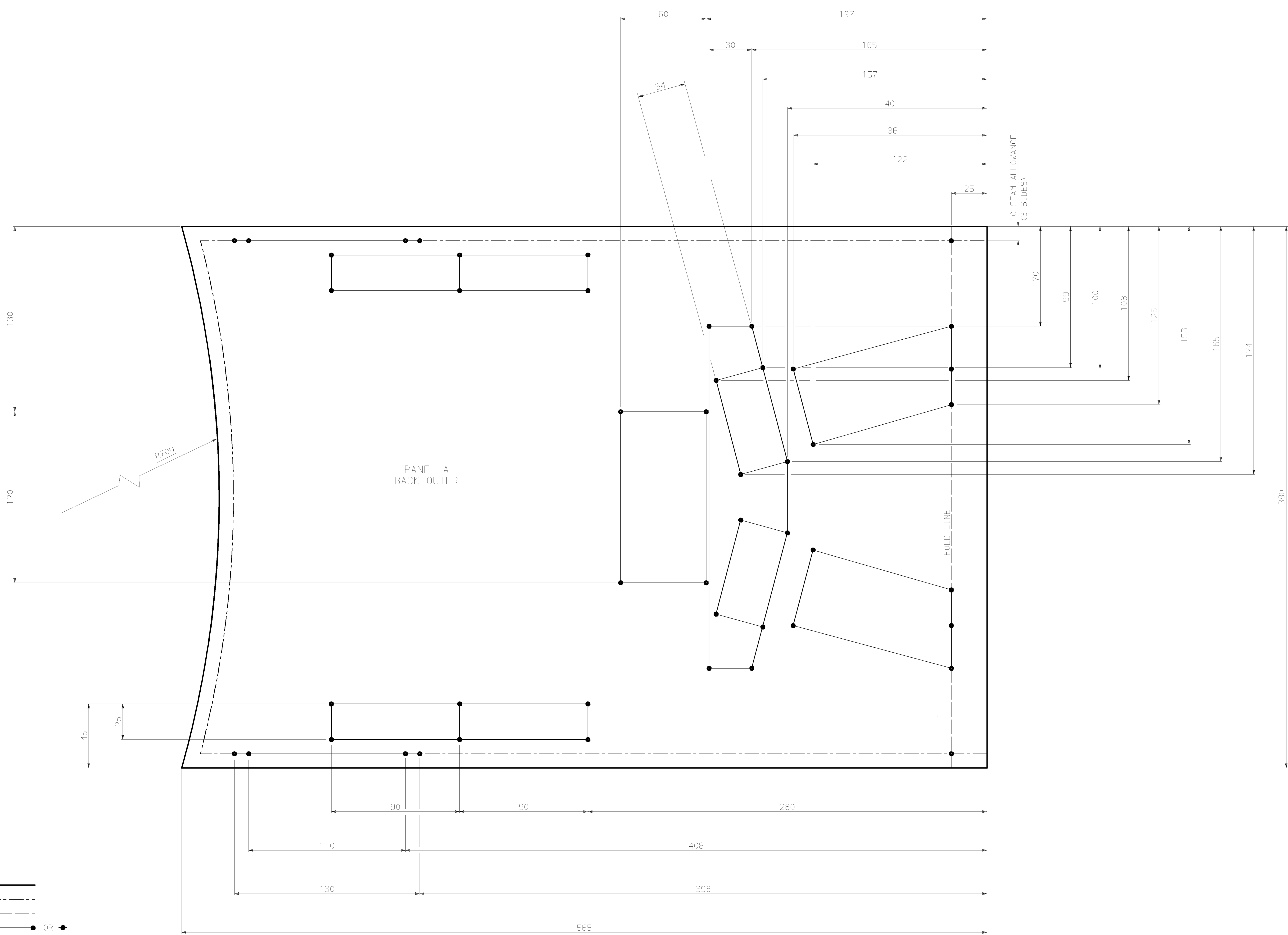


CUTTING LINE ———  
 SEAM LINE - - - - -  
 FOLD LINE - · - · -  
 LOCATION FOR PARTS ● OR ◆

REDRAWN AT ISSUE 3

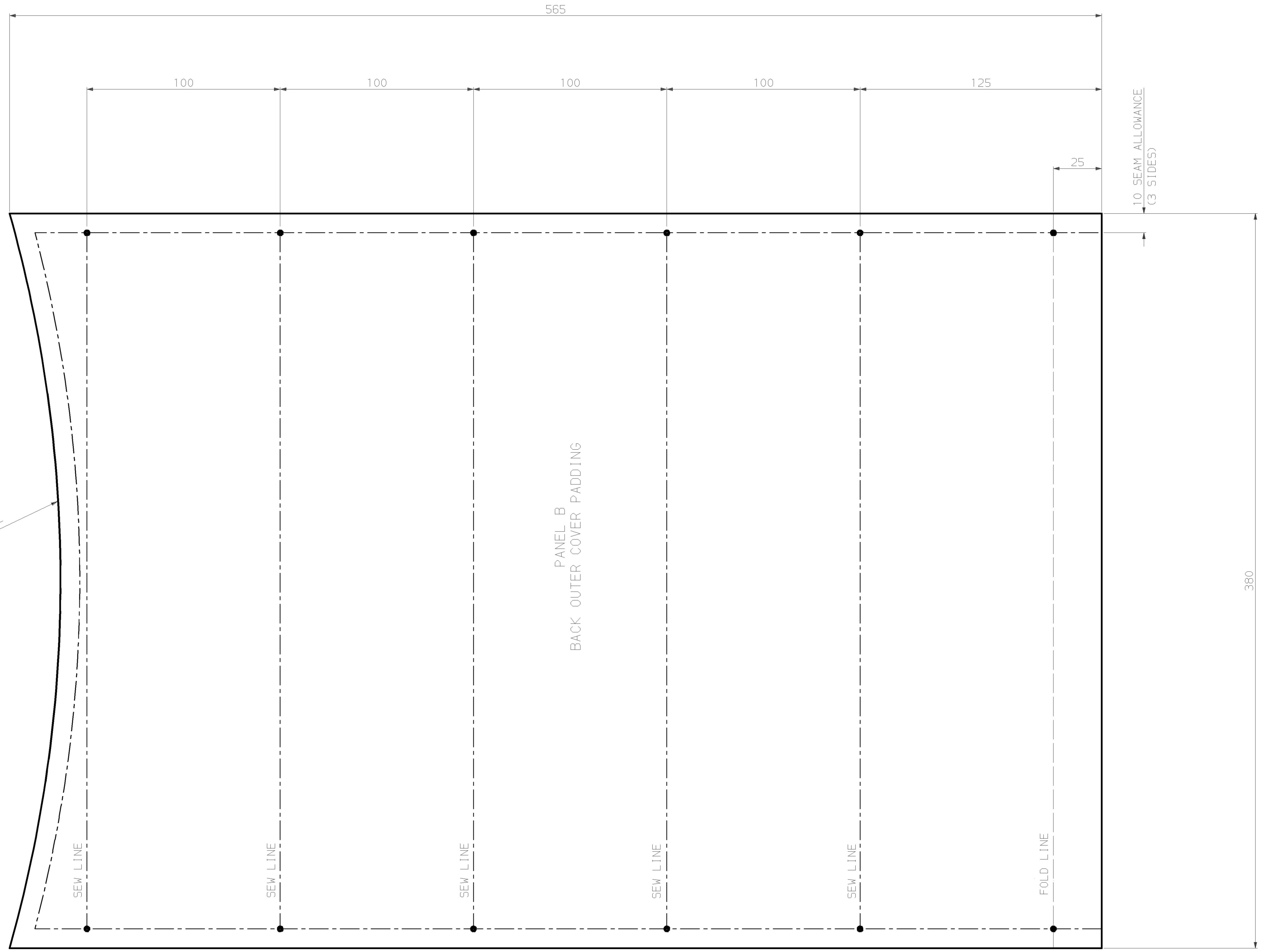
APPROVED M.KILBURN	CERTIFIED G.FULLAGAR	MATERIAL NONE	TOLERANCES NONE UNLESS OTHERWISE STATED	DIMENSIONS IN MILLIMETRES	CONTRACTOR A0-8698	CLASSIFICATION
CHECKED JWR	APPROVED FOR INSPECTION R.LAZENBY	FINISH NONE	REFERENCE No A/S 2450	ORIGINAL SCALE 1:1	DEFENCE CLOTHING IPT (DLO CAVERSFIELD)	CONTRACTORS DRAWING NO.
DRAWN JWR	ISSUE 3	DATE 25-07-05	MOD NO. CS 2329	ISSUE DATE MOD NO.	TITLE RUCKSACK LONG AND SHORT 90 PATTERN TOP LID PANELS	DRAWING NO. A0/8698
					NSN *	SHEET No 1 OF 1

© CROWN COPYRIGHT

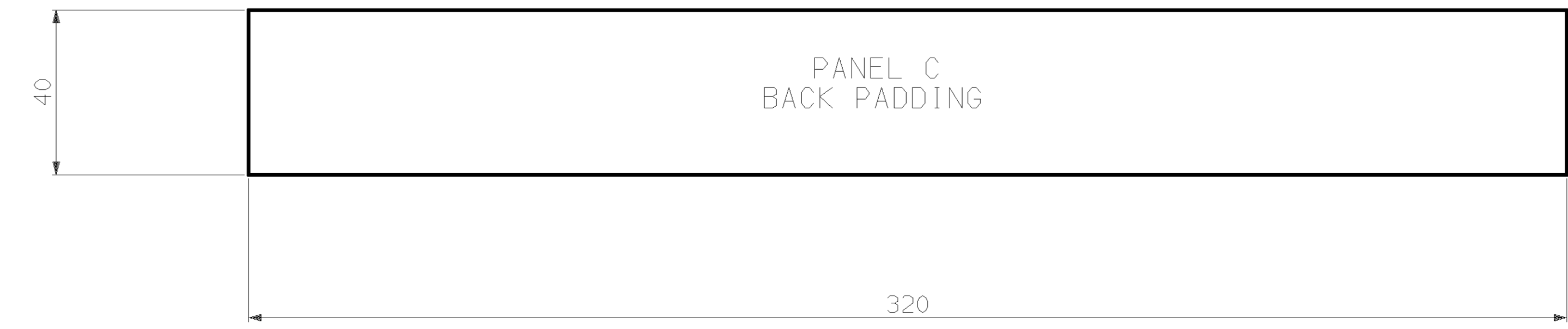
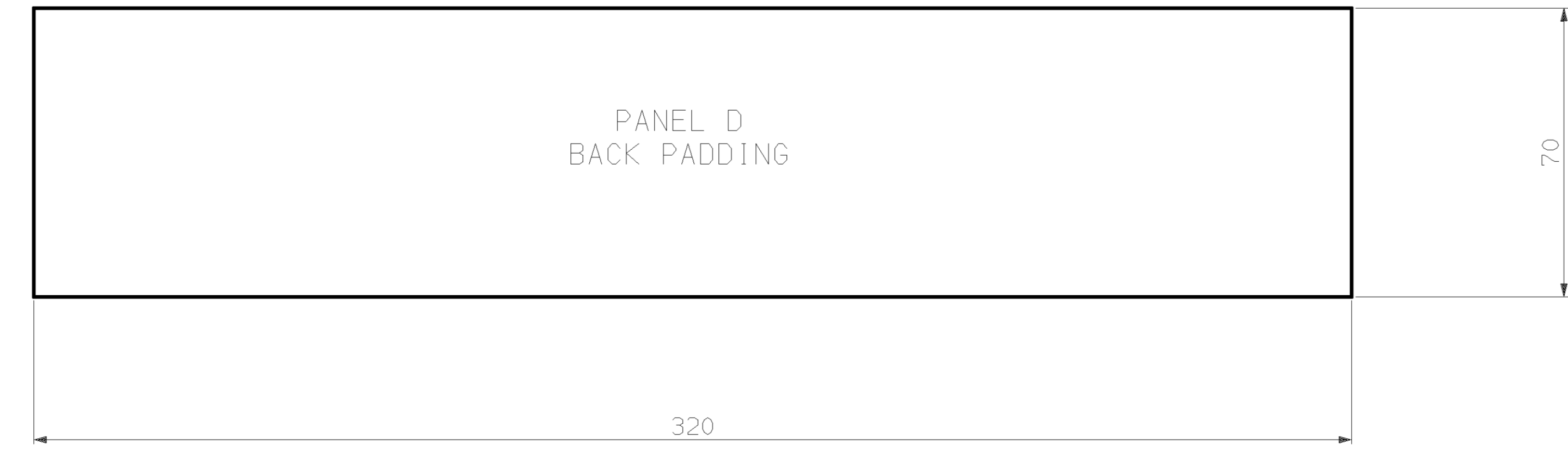


REDRAWN AT ISSUE 3										CERTIFIED		MATERIAL		TOLERANCES		DIMENSIONS IN		CONTRACTOR		CLASSIFICATION	
APPROVED M. KILBURN										G. FULLAGAR		NONE		NONE		MILLIMETRES		AO-8701		CONTRACTORS DRAWING NO.	
CHECKED JWR										APPROVED FOR INSPECTION		FINISH		REFERENCE No		ORIGINAL SCALE		TITLE		DRAWING NO.	
DRAWN JWR										R. LAZENBY		NONE		A/S 2450-7		1:1		RUCKSACK SHORT 90 PATTERN, BACK OUTER, COVER PADDING AND PADDING PANELS		A0/8701	
ISSUE DATE MOD NO.										ISSUE DATE MOD NO.		ISSUE DATE MOD NO.		ISSUE DATE MOD NO.		ISSUE DATE MOD NO.		NSN *		SHEET No 1 OF 2	

USED ON  
A0/8700



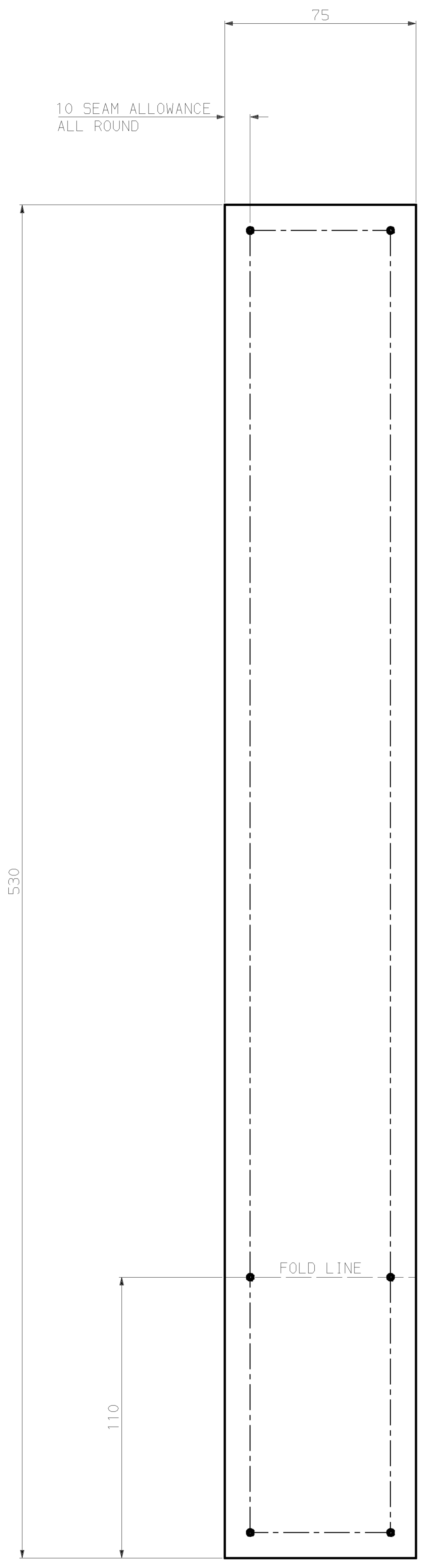
CUTTING LINE  
SEAM LINE  
FOLD LINE  
LOCATION FOR PARTS



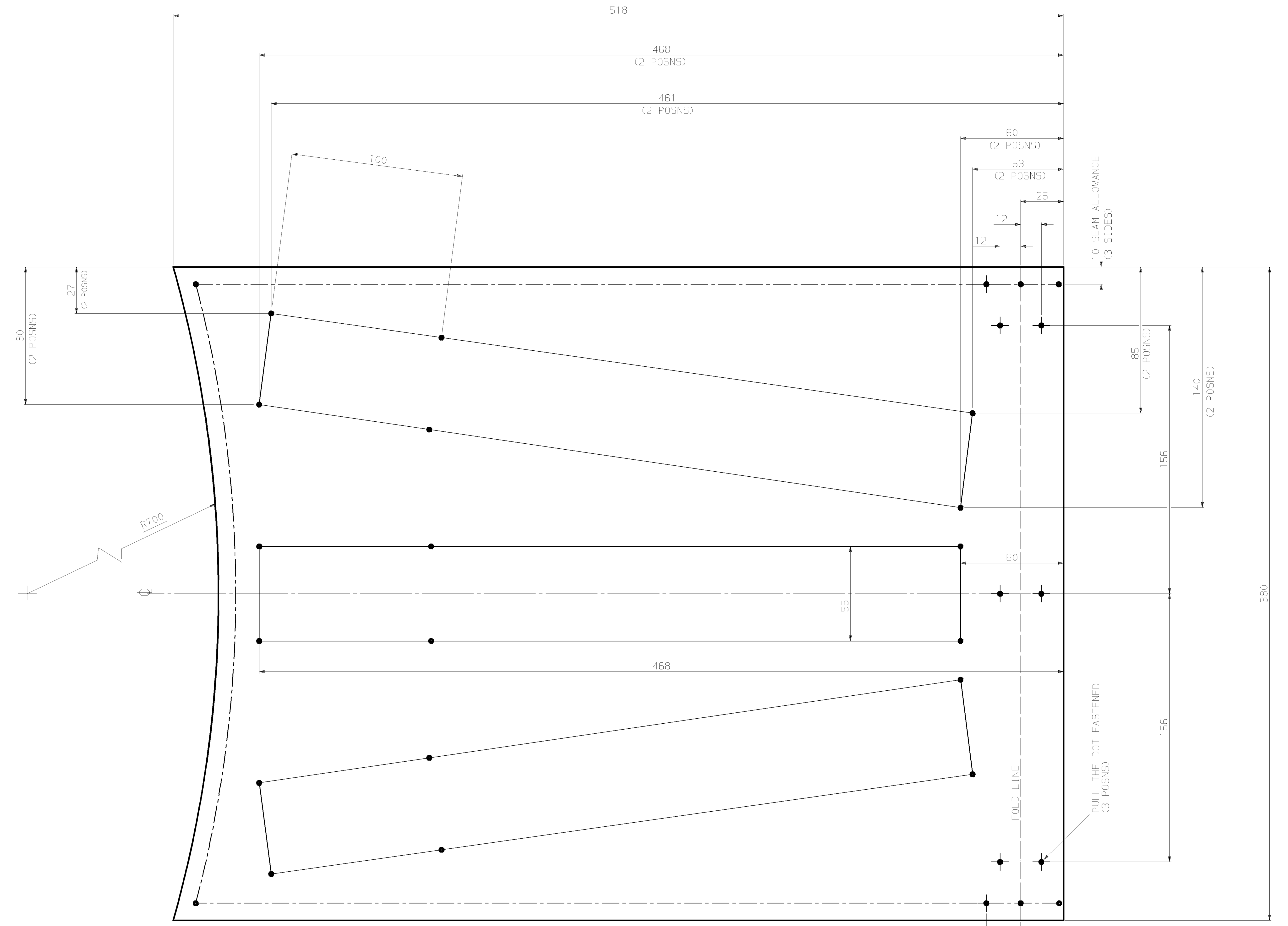
APPROVED M.KILBURN										CERTIFIED G.FULLAGAR	MATERIAL NONE	TOLERANCES NONE UNLESS OTHERWISE STATED	DIMENSIONS IN MILLIMETRES	CONTRACTOR DEFENCE CLOTHING IPT (DLO CAVERSFIELD)	CLASSIFICATION A0-8701-2
CHECKED JWR										APPROVED FOR INSPECTION R.LAZENBY	FINISH NONE	REFERENCE No A/S 2450-7	ORIGINAL SCALE 1:1	TITLE RUCKSACK SHORT 90 PATTERN, BACK OUTER, COVER PADDING AND PADDING PANELS	CONTRACTORS DRAWING NO.
DRAWN JWR	2	25-07-05	CS 2329											DRAWING NO. A0/8701	SHEET No 2 OF 2
	1	21-09-92	CS 1749												
	ISSUE	DATE	MOD NO.	ISSUE	DATE	MOD NO.	ISSUE	DATE	MOD NO.						



USED ON  
A0/8702



PANEL B  
SLEEVE FRAME POCKET

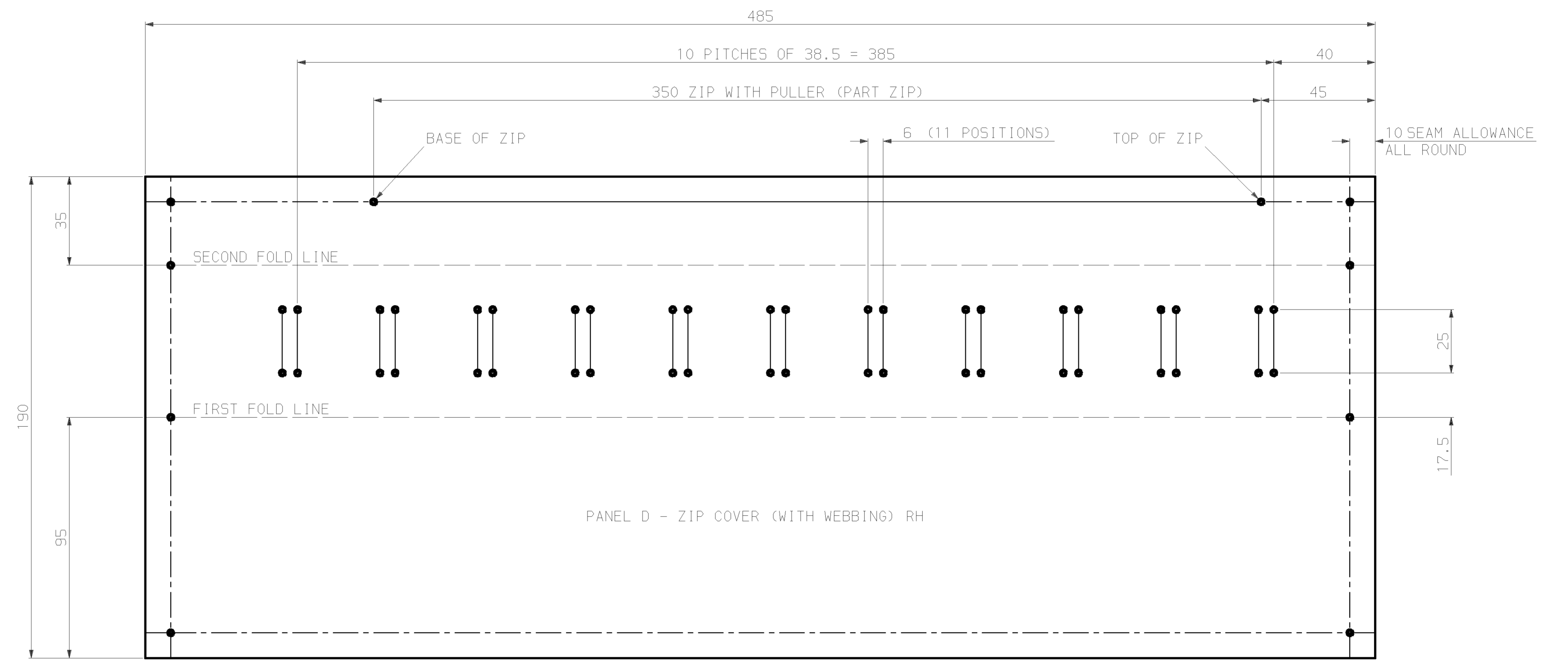
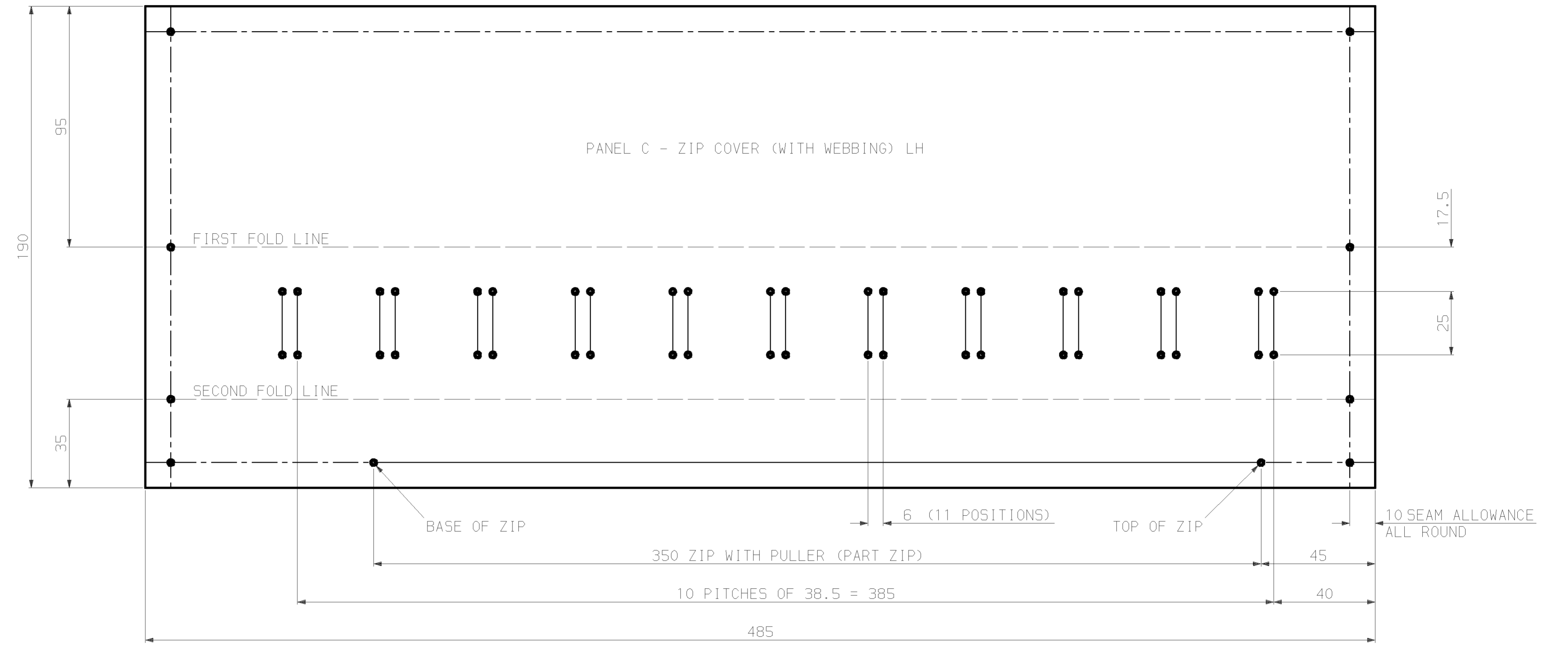
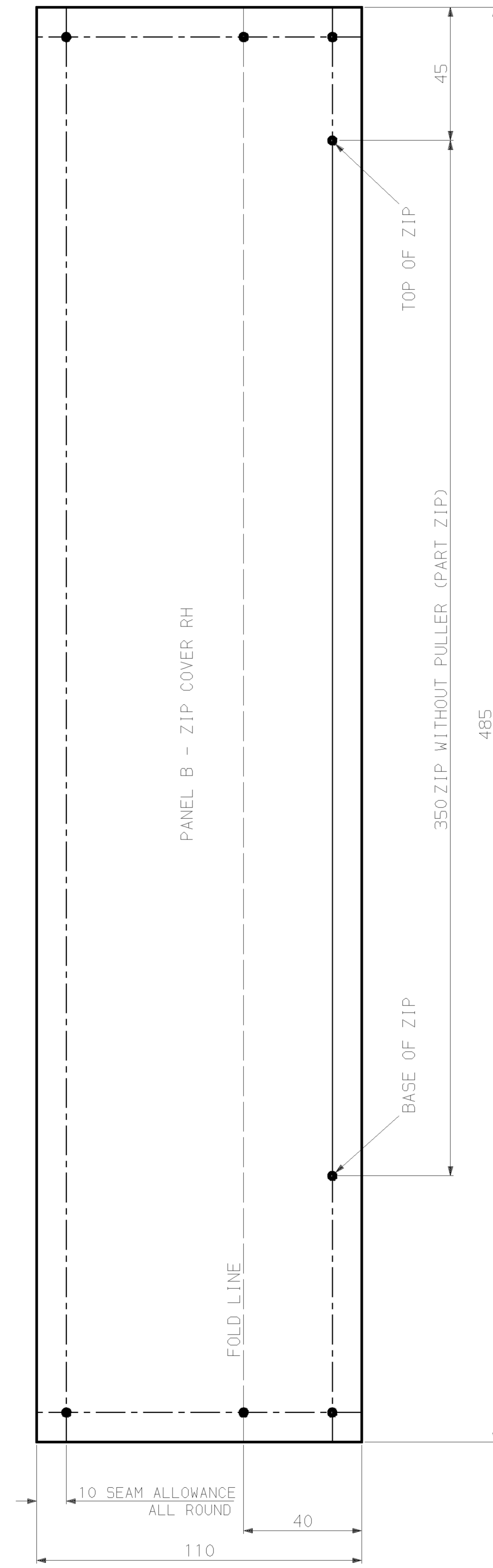
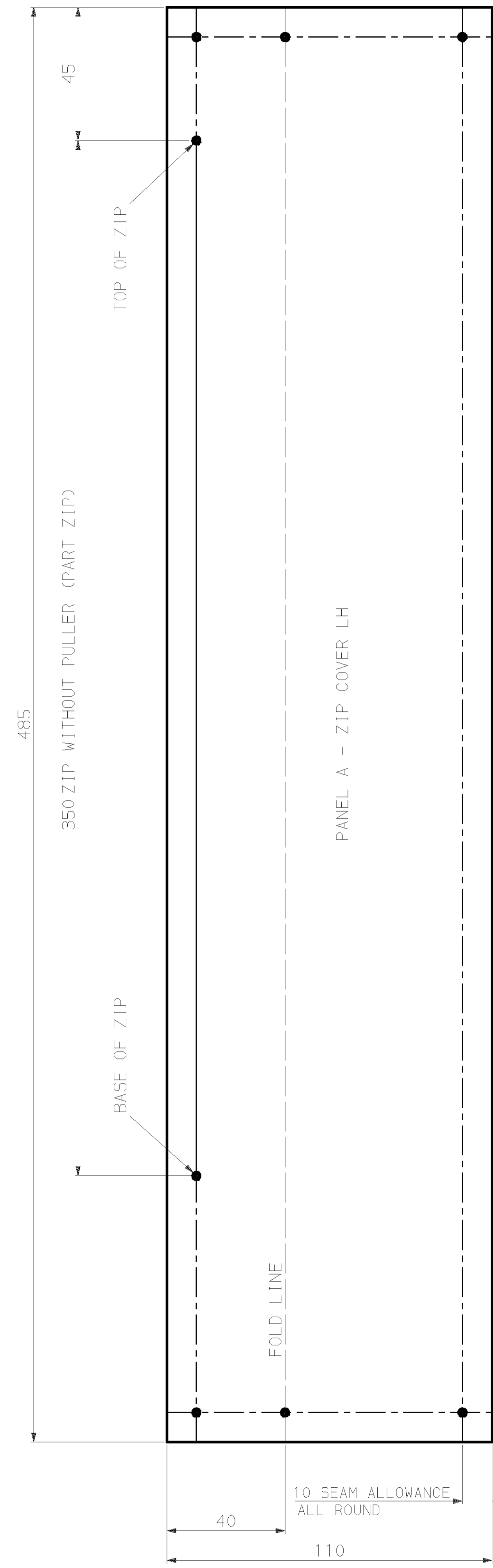


PANEL A  
BACK INNER

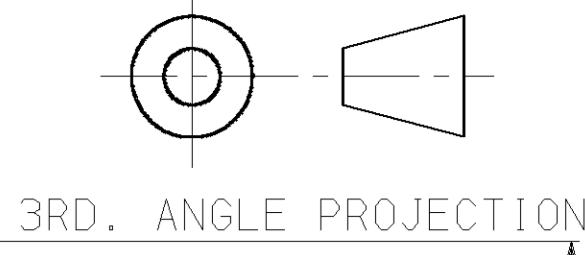
CUTTING LINE ———  
SEAM LINE - - - - -  
FOLD LINE - · - · -  
LOCATION FOR PARTS ● ——— ● OR ◆

REDRAWN AT ISSUE 3										CERTIFIED		MATERIAL		TOLERANCES		DIMENSIONS IN		CONTRACTOR		CLASSIFICATION	
APPROVED M.KILBURN										G.FULLAGAR		NONE		NONE		MILLIMETRES		A0-8703		CONTRACTORS DRAWING NO.	
CHECKED JWR										APPROVED FOR INSPECTION		FINISH		REFERENCE No		ORIGINAL SCALE		TITLE		DRAWING NO.	
DRAWN JWR										R.LAZENBY		NONE		A/S 2450-7		1:1		RUCKSACK SHORT 90 PATTERN, BACK INNER AND SLEEVE FRAME POCKET PANELS		A0/8703	
ISSUE DATE MOD NO. ISSUE DATE MOD NO. ISSUE DATE MOD NO. ISSUE DATE MOD NO.																		NSN *		SHEET No 1 OF 1	

CUTTING LINE  
 SEAM LINE  
 FOLD LINE  
 LOCATION FOR PARTS

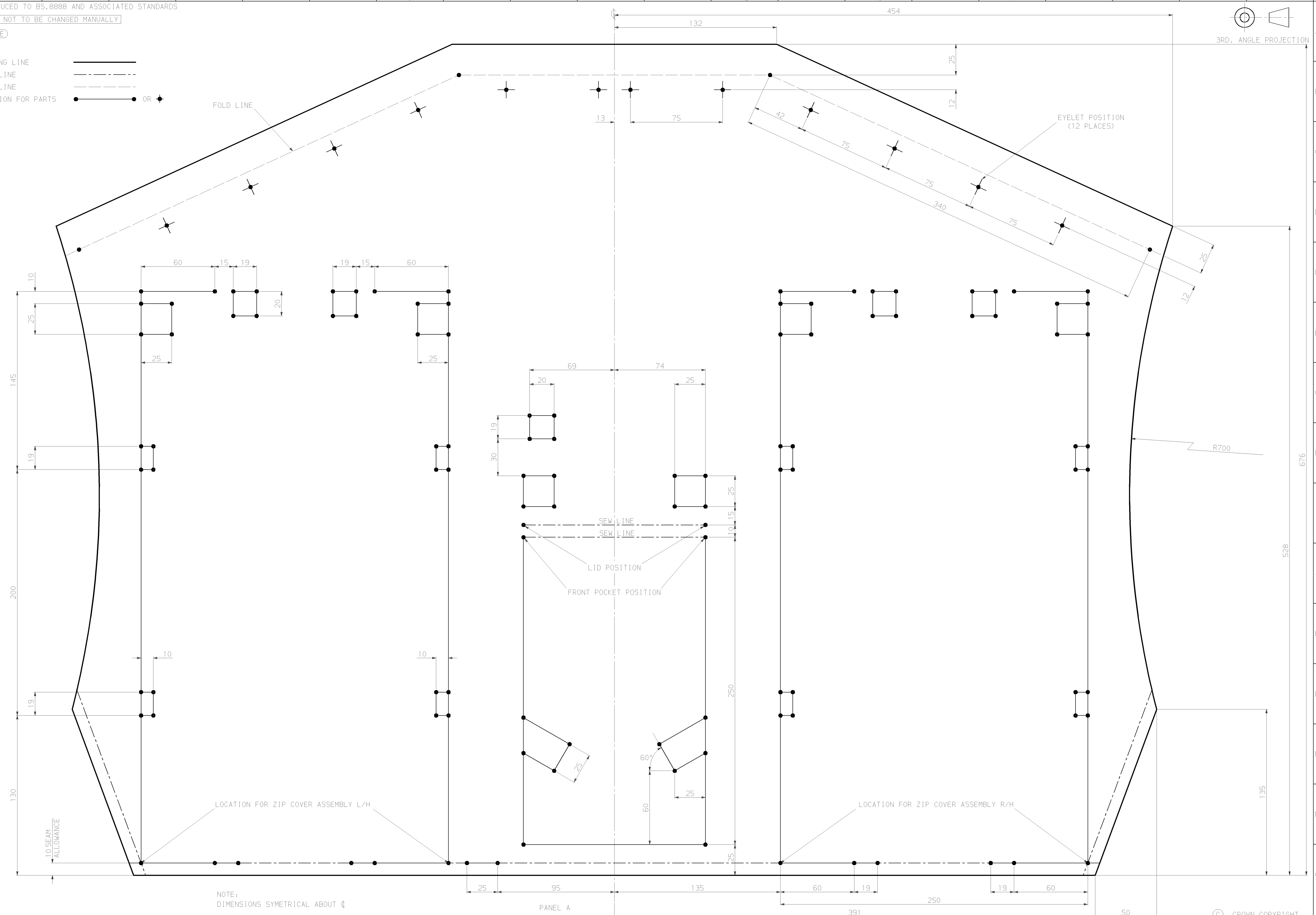


APPROVED M. KILBURN										CERTIFIED G. FULLAGAR										MATERIAL NONE										TOLERANCES NONE										DIMENSIONS IN MILLIMETRES										CONTRACTOR A0-8705										CLASSIFICATION																			
CHECKED JWR										APPROVED FOR INSPECTION R. LAZENBY										FINISH NONE										REFERENCE No A/S 2450										ORIGINAL SCALE 1:1										TITLE RUCKSACK SHORT 90 PATTERN ZIP COVER PANELS										CONTRACTORS DRAWING NO.																			
DRAWN JWR										ISSUE 3										DATE 25-07-05										MOD NO. CS 2329										ISSUE DATE										MOD NO.										DRAWING NO. A0/8705										SHEET No 1 OF 1									



3RD. ANGLE PROJECTION

- CUTTING LINE
- SEAM LINE
- FOLD LINE
- LOCATION FOR PARTS

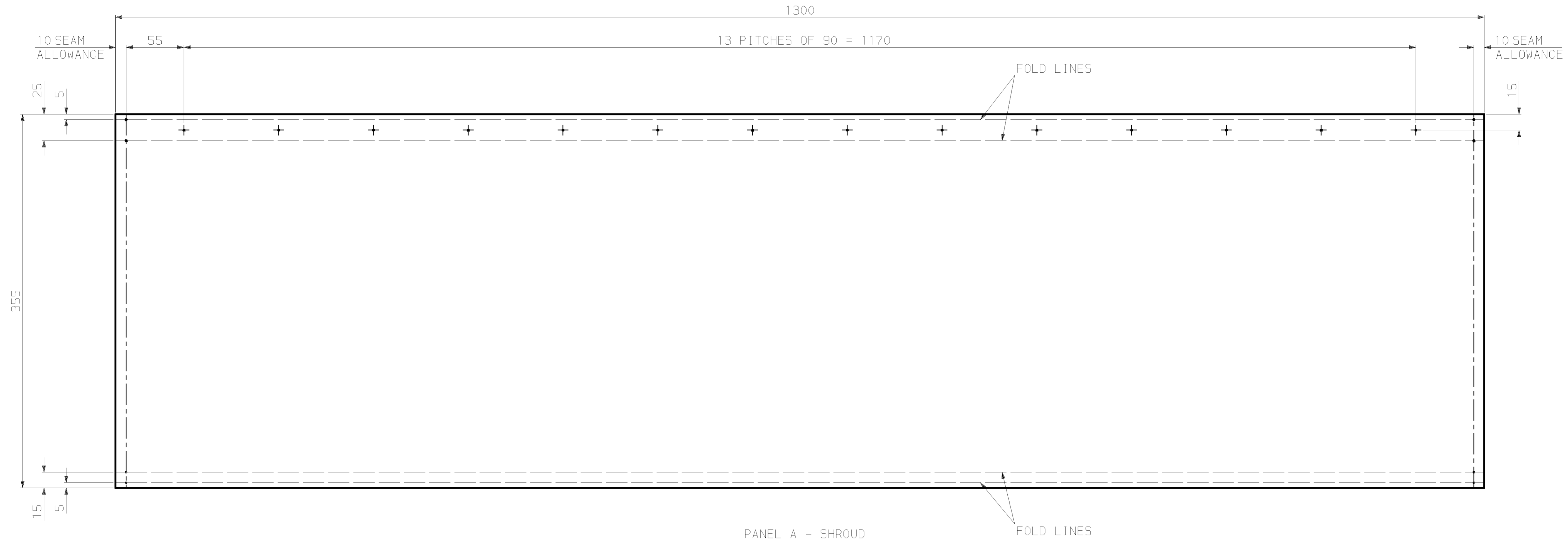
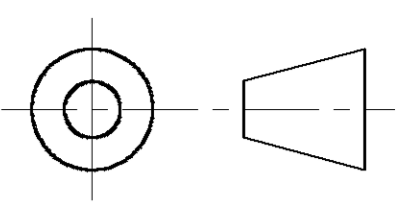


NOTE:  
DIMENSIONS SYMETRICAL ABOUT C

PANEL A

© CROWN COPYRIGHT

REDRAWN AT ISSUE 3										CERTIFIED G.FULLAGAR		MATERIAL NONE		TOLERANCES NONE UNLESS OTHERWISE STATED		DIMENSIONS IN MILLIMETRES		A0-8706 CONTRACTORS DRAWING NO.											
APPROVED M.KILBURN										APPROVED FOR INSPECTION R.LAZENBY		FINISH NONE		REFERENCE No A/S 2450		ORIGINAL SCALE 1:1		DEFENCE CLOTHING IPT (DLO CAVERSFIELD)		DRAWING NO. A0/8706									
DRAWN JWR																TITLE RUCKSACK SHORT 90 PATTERN FRONT PANEL		SHEET No 1 OF 1											
ISSUE										DATE										MOD NO.									



CUTTING LINE   
 SEAM LINE   
 FOLD LINE   
 LOCATION FOR PARTS 
●
●
 OR 
+

APPROVED							MATERIAL		TOLERANCES		DIMENSIONS IN		CONTRACTOR		CLASSIFICATION	
M. KILBURN							NONE		NONE		MILLIMETRES		A1-8707		CONTRACTORS DRAWING NO.	
CHECKED							FINISH		UNLESS OTHERWISE STATED		ORIGINAL SCALE		DEFENCE CLOTHING IPT (DLO CAVERSFIELD)		DRAWING NO.	
JWR							NONE		REFERENCE No		1:2		RUCKSACK SHORT 90 PATTERN SHROUD PANEL		A1/8707	
DRAWN							CERTIFIED		APPROVED FOR INSPECTION		NSN *		DRAWING NO.		SHEET	
JWR							G. FULLAGAR		R. LAZENBY		A/S 2450		A1/8707		No 1 OF 1	
ISSUE							DATE		MOD NO.		ISSUE		DATE		MOD NO.	
4							25-07-05		C5 2329							

© CROWN COPYRIGHT