

AMENDMENT TO CERTIFICATE

Certification No 2050 Amendment No 54

Submitted by: **Elster Metering**
430 Camford Way
Luton
Bedfordshire
LU3 3AN

Authorisation is hereby given by the Secretary of State for Business, Innovation and Skills for the following Certificate of approval relating to a pattern of a liquid measuring instrument (cold water) to be amended as described below.

2050

This Approval is extended to include the addition of the following authorised alternative:

4.65 Alternative shroud to accommodate pulse transmitter

The alternative shroud has an increase surface area to support a pulse unit and raised a rib to prevent external tampering as shown in Figure 59, and larger holes introduced for bigger self tapping screws to affix the pulse housing. This shroud may be fitted with or without a pulse transmitter.

4.66 Inductive pointer

Having an inductive pointer with a stainless steel insert (Figure 60).

4.67 Anti-magnet Tamper shielding

Having the anti-magnet tamper shielding arrangement shown in Figure 61, and the alternative pressure plate as shown in Figure 62, which acts to locate the shielding for models V200 and V210 polymer meters.

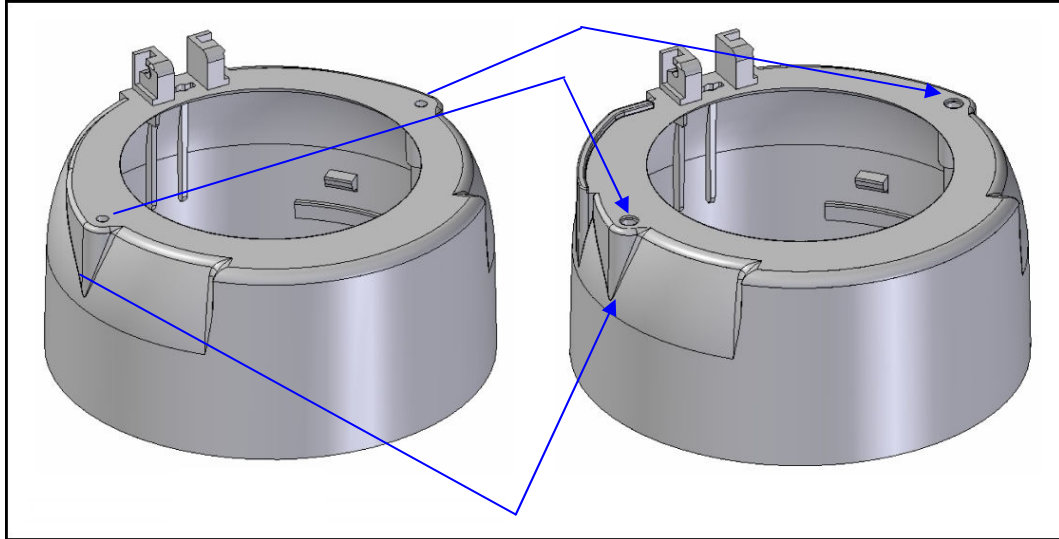


Signatory: *G Stones*
for Chief Executive
National Weights & Measures Laboratory
(Part of the National Measurement Office)
Department for Business, Innovation & Skills
Stanton Avenue
Teddington
Middlesex TW11 0JZ
United Kingdom

Reference No: T1132/0010/21

Date: 3rd May 2010

CONTINUATION OF AMENDMENT TO CERTIFICATE



Old Shroud

New Shroud

Figure 59 Old and New Shrouds

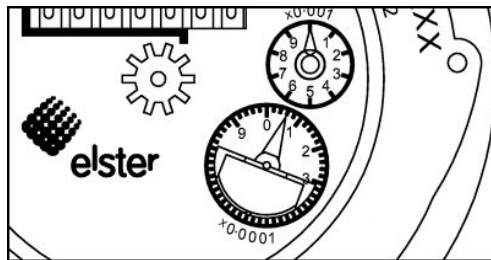


Figure 60 Stainless Steel Insert Inductive Pointer

CONTINUATION OF AMENDMENT TO CERTIFICATE

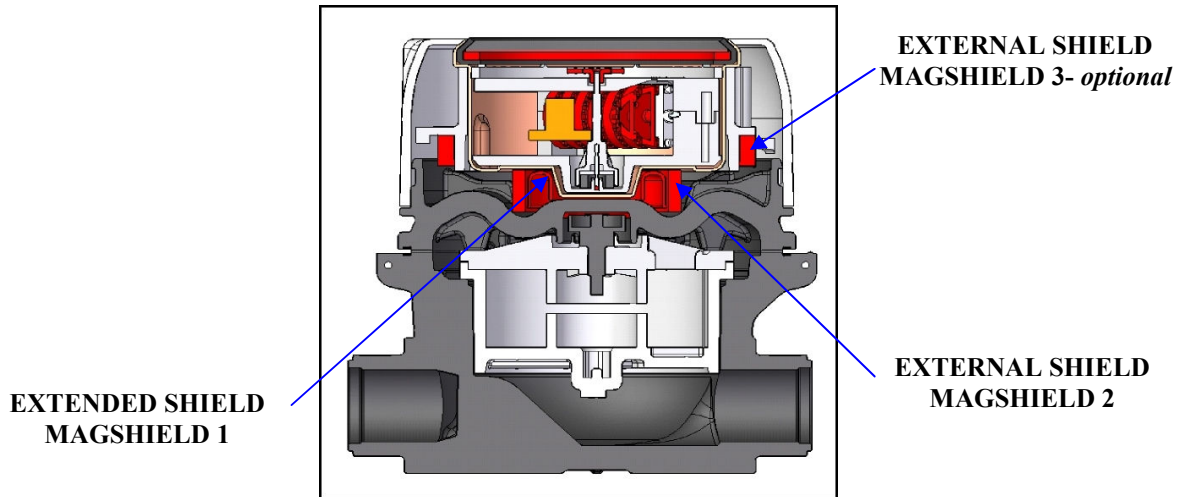


Figure 61 Additional Magnetic Shielding



Old Pressure Plate

New Pressure Plate

Figure 62 Old and New Pressure Plates