

Provision of Line Diagrams for Pre-Qualification (Rule 3.6.4 (a) & 3.9.4(a) – Illustrative Example

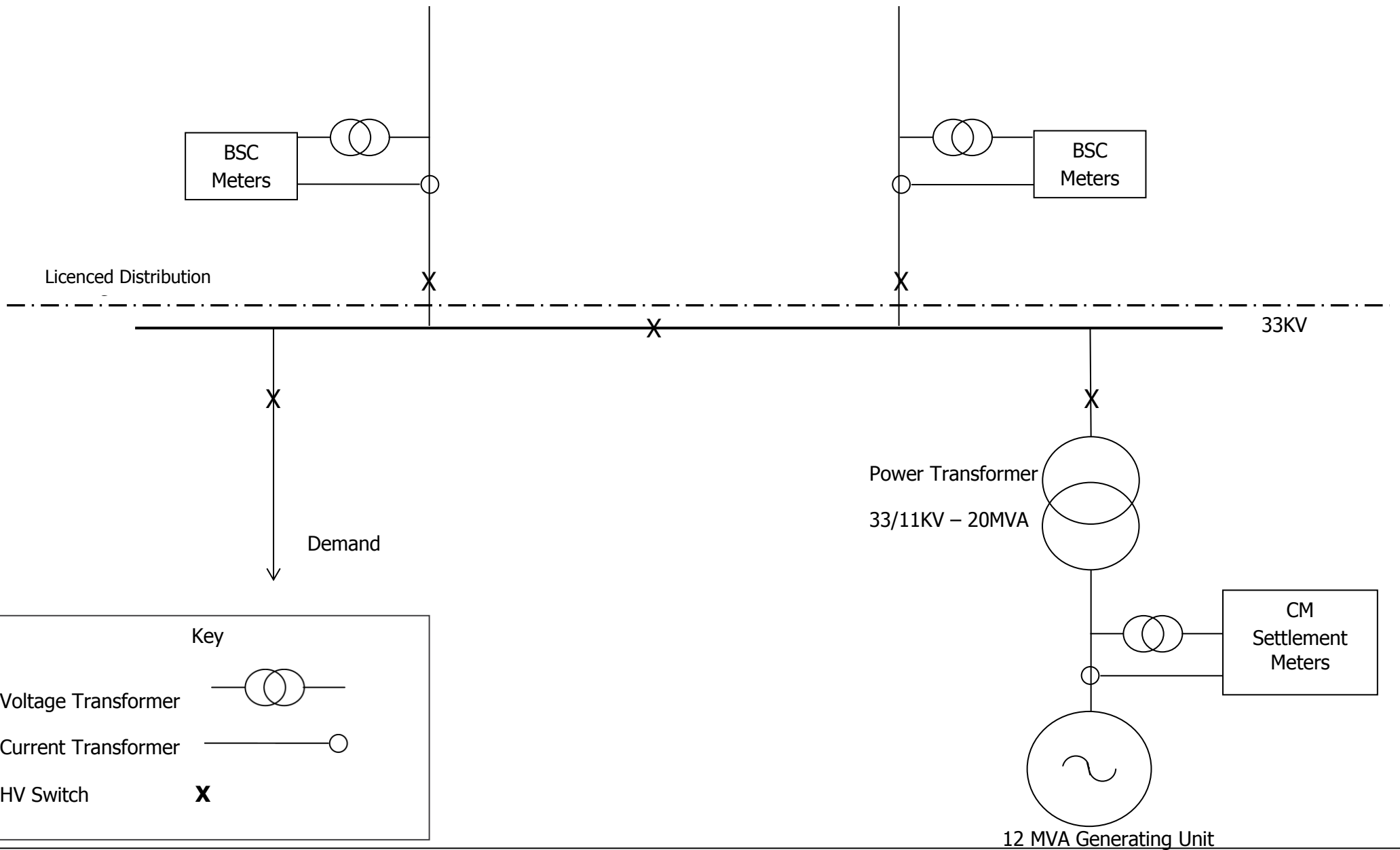
Line diagrams are required to be submitted at prequalification to allow verification (during a subsequent Metering Test, should one be required) that:

- *The Generating Units or DSR CMU Components do form a valid CM Unit; and*
- *The proposed metering is measuring those Generating Units or DSR CMU Components (and not other unrelated flows of energy, such as output from non-eligible Generating Units, or power flowing through a second connection to the network).*

Line diagrams should be simplified single line electrical diagrams which show the connection of the Generating Unit to its wider network and include the various voltage levels of that network. They should identify the location of metering current and voltage transformers and any boundary lines between parties.

The detail required to achieve this will vary depending upon the complexity of the site, and for a simple site (e.g. a customer providing DSR based on metering at the site boundary, and with no other connections to the network) a very simple diagram is likely to suffice.

To assist applicants in producing a line diagram an illustrative example has been provided overleaf. In the event that a submitted diagram does not include sufficient information to allow a Metering Test to be completed, more detailed information and/or line diagrams may need to be submitted subsequently in order to obtain a Metering Test Certificate.



Sample Single Line Electrical Diagram