

INSTAT Intra-community trade STATistical declaration message

Introduction:

INSTAT is a UN/EDIFACT message which allows Intra-EC Trade Statistics to be transmitted to the EDCS. It has been designed by Message Design Group 6 using the United Nations Trade Data Interchange Directory (UNTDID), Issue S93A, and is based on the CUSDEC Universal Standard Message (UNSM). INSTAT is the EC wide version of Intra-EC Trade Statistics messages and is acceptable in all Member States, and traders may choose to use this or the Single European Market Declaration (SEMDEC) message designed by HM Revenue & Customs.

Notes:

This is Appendix F of the Electronic Data Capture Service (EDCS) Technical Interface Specification. It contains the detailed description of the Intra-community trade STATistical declaration (INSTAT) message.

Where there are legitimate differences between values declared on VAT returns (in boxes 8 and 9 of the VAT 100 form) and Supplementary Declarations (SDs), such as credit notes, please refer to Part 2 of the EDCS Interface Specification "Reconciling Intrastat and VAT Return Declarations".

The submission of trader nil returns would assist in the reconciliation with the VAT figures, although they are not a legal requirement.

If you need assistance with any of the information in this appendix, please contact:

HM Revenue & Customs
Error Correction Unit
3rd Floor, Central
Alexander House
21 Victoria Avenue
Southend on Sea
Essex SS99 1AA
Tel: 01702 367167
Fax: 01702 366187
email: ecu@hmrc.gsi.gov.uk
email: gill.parker@hmrc.gsi.gov.uk

If you need help on the UN/EDIFACT Standard please contact:

HM Revenue & Customs
EDIFACT Helpdesk
Information Management Solutions
4th Floor, South East
Alexander House,
21 Victoria Avenue
Southend-on-Sea
Essex SS99 1AA
Tel: 01702 367891
Fax: 01702 367103
e-mail: edistandards@hmrc.gsi.gov.uk

Summary of Status:

M This is mandatory within UN/EDIFACT.
C The requirement for this is conditional.
R This is required by HMRC.
NR This is not required by HMRC.
O Optional

Explanation of separator representation as used in the examples:

: Separator between components of a compound element.
+ Separator between elements in a segment.
' Segment terminator.

Format of the elements is specified as:

a upper case alphabetic.
an upper case alphanumeric.
n numeric.

Length of the data item is optionally preceded by ".." if the length is variable.

example 1: a1 is alphabetic 1 character.

example 2: an..7 is alphanumeric variable 7 (i.e. 1 to 7 inclusive) characters.

example 3: n4 is numeric 4 characters.

DETAILS OF CHANGES IMPLEMENTED IN THIS VERSION

1. Bulgaria and Romania added as new members of the EU.

Heading Section:

<u>Pos. No.</u>	<u>Seg. ID</u>	<u>Name</u>	<u>Base Guide</u>	<u>User Status</u>	<u>Max.Use</u>	<u>Group Repeat</u>	<u>Notes and Comments</u>
005	UNH	Message Header	M	M	1		
010	BGM	Beginning of Message	M	M	1		
015	CST	Customs Status of Goods	C	R	1		
025	DTM	Date/Time/Period	C	R	1		
025	DTM	Date/Time/Period	C	R	1		
030	GIS	General Indicator	C	C	1		
Segment Group 6: NAD			C	R		2	
105	NAD	Name and Address	M	M	1		
Segment Group 6: NAD			C	C		2	
105	NAD	Name and Address	M	M	1		

Section Control:

<u>Pos. No.</u>	<u>Seg. ID</u>	<u>Name</u>	<u>Base Guide</u>	<u>User Status</u>	<u>Max.Use</u>	<u>Group Repeat</u>	<u>Notes and Comments</u>
005	UNS	Section Control	M	M	1		

Detail Section:

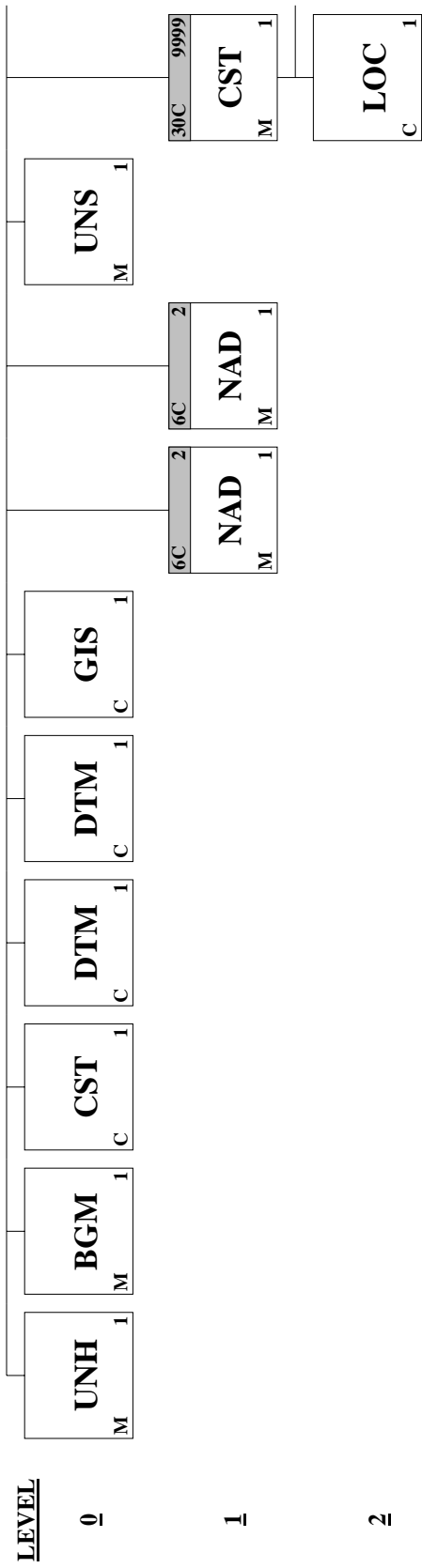
<u>Pos. No.</u>	<u>Seg. ID</u>	<u>Name</u>	<u>Base Guide</u>	<u>User Status</u>	<u>Max.Use</u>	<u>Group Repeat</u>	<u>Notes and Comments</u>
Segment Group 30: CST-LOC-MEA-SG33-SG35-SG38			C	R		9999	
305	CST	Customs Status of Goods	M	M	1		
315	LOC	Place/Location Identification	C	R	1		
315	LOC	Place/Location Identification	C	NR	1		
315	LOC	Place/Location Identification	C	NR	1		
325	MEA	Measurements	C	C	1		
325	MEA	Measurements	C	C	1		
Segment Group 33: MOA			O	R		1	
355	MOA	Monetary Amount	M	M	1		
Segment Group 35: RFF			C	O		1	
370	RFF	Reference	M	M	1		
Segment Group 38: TOD			C	C		1	
420	TOD	Terms of Delivery	M	M	1		

Section Control:

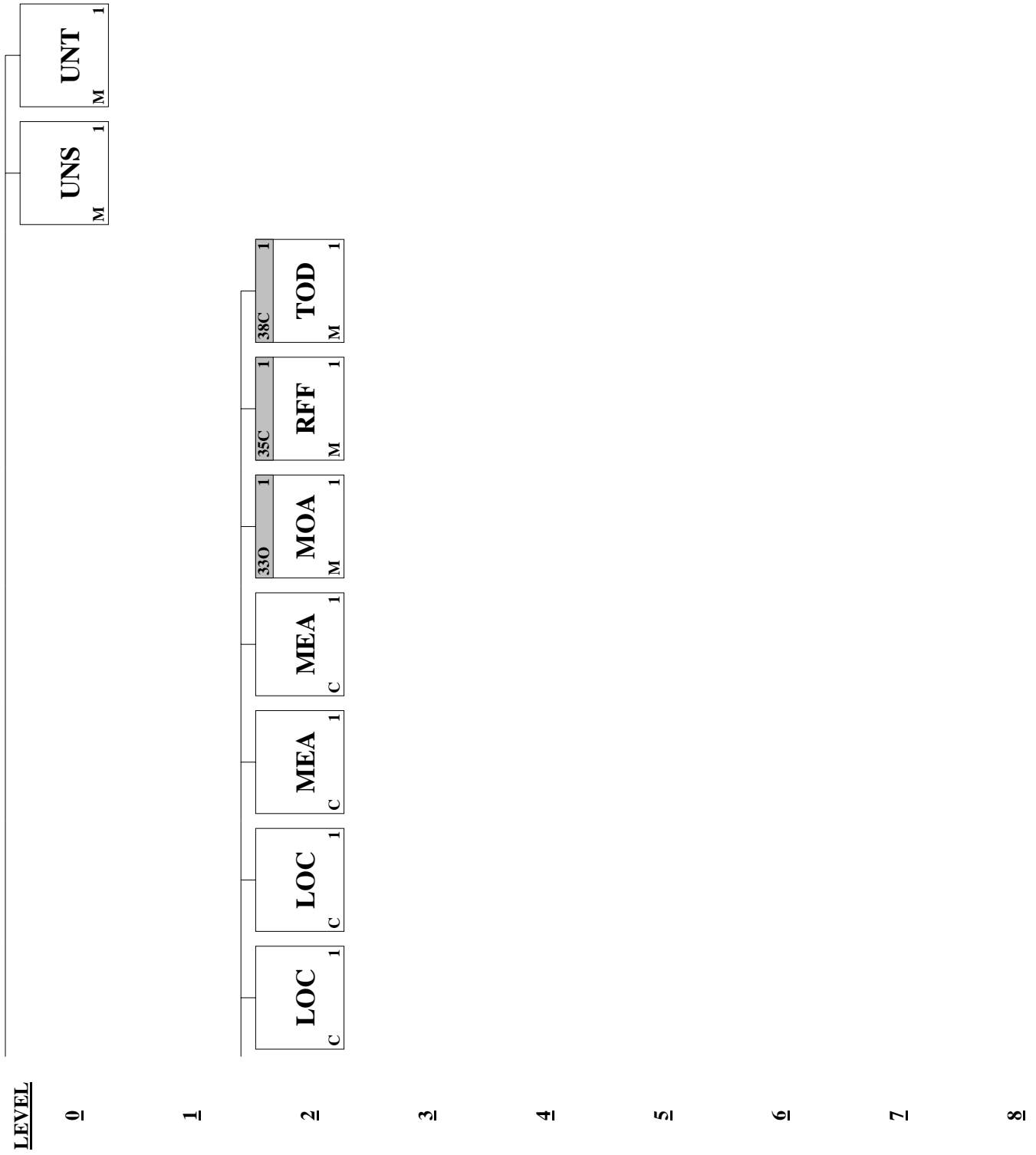
<u>Pos. No.</u>	<u>Seg. ID</u>	<u>Name</u>	<u>Base Guide</u>	<u>User Status</u>	<u>Max.Use</u>	<u>Group Repeat</u>	<u>Notes and Comments</u>
Version 8.00							

Summary Section:

<u>Pos. No.</u>	<u>Seg. ID</u>	<u>Name</u>	<u>Base Guide</u>	<u>User Status</u>	<u>Max.Use</u>	<u>Group Repeat</u>	<u>Notes and Comments</u>
040	UNT	Message Trailer	M	M	1		



LEVEL
0
1
2
3
4
5
6
7
8



Segment: **UNH** Message Header
Position: 005
Group:
Level: 0
Usage: Mandatory
Max Use: 1
Purpose: To head, identify and specify a Message.

Notes: e.g. UNH+INSTA14+CUSDEC:S:93A:UN:INSTAT'

Data Element Summary

<u>Data Element</u>	<u>Component Element</u>	<u>Name</u>	<u>Base Attributes</u>	<u>User Attributes</u>
0062		MESSAGE REFERENCE NUMBER (MREF)	M an..14	M
A reference supplied by the data supplier. It must be unique within a transmission (i.e. UNB - UNZ loop).				
S009		MESSAGE IDENTIFIER	M	M
	0065	Message type identifier CUSDEC Customs declaration message	M an..6	M
	0052	Message type version number S	M an..3	M
	0054	Message type release number 93A	M an..3	M
	0051	Controlling agency UN UN/ECE/TRADE/WP.4, United Nations Standard Messages (UNSM)	M an..2	M
	0057	Association assigned code INSTAT	C an..6	R

Segment: **BGM** Beginning of Message
Position: 010
Group:
Level: 0
Usage: Mandatory
Max Use: 1
Purpose: To indicate the type and function of a message and to transmit the identifying number.
Notes: This segment is mandatory and is used to report code to identify the message type (i.e. Inrastat declaration).
 e.g. BGM+896'

Data Element Summary

<u>Data Element</u>	<u>Component Element</u>	<u>Name</u>	<u>Base Attributes</u>	<u>User Attributes</u>
C002		DOCUMENT/MESSAGE NAME	C	R
	1001	Document/message name, coded	C an..3	R
		896 INTRASTAT declaration		

Segment: **CST** Customs Status of Goods

Position: 015

Group:

Level: 0

Usage: Conditional (Required)

Max Use: 1

Purpose: To specify goods in terms of customs identities, status and intended use.

Notes: This segment must be used to declare the FLOW (Dispatch or Arrival). Please note that FLOW must only be declared in this segment, at header level. Each message (UNH - UNT) must contain all arrivals or all dispatches.

e.g. CST++D:176'

Data Element Summary

<u>Data Element</u>	<u>Component Element</u>	<u>Name</u>	<u>Base Attributes</u>	<u>User Attributes</u>
1496		GOODS ITEM NUMBER	C n..5	NR
Not Required by HM Revenue & Customs.				
C246		CUSTOMS IDENTITY CODES	C	R
	7361	Customs code identification (FLOW)	M an..18	M
		A Arrival		
		D Dispatch		
	1131	Code list qualifier	C an..3	R
		176 Flow of the goods		

Segment: **DTM** Date/Time/Period
Position: 025
Group:
Level: 0
Usage: Conditional (Required)
Max Use: 1
Purpose: To specify date, and/or time, or period.

Notes: This segment must be used twice, and can be sent in either order. Once to report the month covered by the message (MDEC), and once to report the Date of Transmission (DOTM) as described here.

e.g. DTM+137:050731'

Data Element Summary

<u>Data Element</u>	<u>Component Element</u>	<u>Name</u>	<u>Base Attributes</u>	<u>User Attributes</u>
C507		DATE/TIME/PERIOD	M	M
	2005	Date/time/period qualifier	M an..3	M
		Use a value of "137" when reporting the Date of Transmission (DOTM).		
		137	Document/message date/time	
	2380	Date/time/period (DOTM)	C an..35	R an..6
		For Date of Transmission (DOTM, n6) use a format of YYMMDD.		

Segment: **DTM** Date/Time/Period
Position: 025
Group:
Level: 0
Usage: Conditional (Required)
Max Use: 1
Purpose: To specify date, and/or time, or period.

Notes: This segment must be used twice, and can be sent in either order. Once to report the month covered by the message (MDEC) as described here, and once to report the Date of Transmission (DOTM).

e.g. DTM+320:0507'

Data Element Summary

<u>Data Element</u>	<u>Component Element</u>	<u>Name</u>	<u>Base Attributes</u>	<u>User Attributes</u>
C507		DATE/TIME/PERIOD	M	M
	2005	Date/time/period qualifier	M an..3	M
		Use a value of "320" when reporting the Month Covered by the Message (MDEC).		
		320 Declaration reference period		
	2380	Date/time/period (MDEC)	C an..35	R an..6
		For Month Covered by the Message (MDEC, n4) use YYMM.		

Segment: **GIS** General Indicator

Position: 030

Group:

Level: 0

Usage: Conditional (Optional)

Max Use: 1

Purpose: To transmit a processing indicator.

Notes: This segment is to be used **ONLY** when declaring a NIL RETURN. You must also declare Nature of Transaction code "99" in the CST segment (position 305).

e.g. GIS+NIL:42'

Data Element Summary

<u>Data Element</u>	<u>Component Element</u>	<u>Name</u>	<u>Base Attributes</u>	<u>User Attributes</u>
C529		PROCESSING INDICATOR	M	M
	7365	Processing indicator, coded	M an..3	M
		NIL Nil Return		
	1131	Code list qualifier	C an..3	R
		42 Business function		

Group: **NAD** Segment Group 6
Position: 105
Group:
Level: 1
Usage: Conditional (Required)
Max Use: 2

Segment Summary

	Pos.	Seg.		Req.	Max.	Group:
	<u>No.</u>	<u>ID</u>	<u>Name</u>	<u>Des.</u>	<u>Use</u>	<u>Repeat</u>
M	105	NAD	Name and Address	M	1	

Segment: **NAD** Name and Address
Position: 105 (Trigger Segment)
Group: SG6
Level: 1
Usage: Mandatory
Max Use: 1
Purpose: To specify the name/address and their related function, either by CO82 only and/or unstructured by CO58 or structured by CO80 thru 3207.

Notes: This segment must be used once to report the party responsible for providing the statistical information (Declarant - DT), as described here. It is to be used again when reporting a third party (Agent - AE) that is responsible for providing the statistical information. In the latter case the segments can be sent in either order. Parties are identified by their VAT Registration Number (VATN).
 e.g. NAD+DT+192837465'

Data Element Summary

<u>Data Element</u>	<u>Component Element</u>	<u>Name</u>	<u>Base Attributes</u>	<u>User Attributes</u>
3035		PARTY QUALIFIER DT Declarant	M an..3	M
C082	3039	PARTY IDENTIFICATION DETAILS Party id identification (VATN)	C M an..17	R M an..12
The VAT Registration No. (VATN, n..12) of the declarant; plus a branch identifier (where a branch identifier is applicable). (NB numeric representation)				

Group: **NAD** Segment Group 6
Position: 105
Group:
Level: 1
Usage: Conditional (Optional)
Max Use: 2

Segment Summary

	Pos.	Seg.		Req.	Max.	Group:
	<u>No.</u>	<u>ID</u>	<u>Name</u>	<u>Des.</u>	<u>Use</u>	<u>Repeat</u>
M	105	NAD	Name and Address	M	1	

Segment: **NAD** Name and Address
Position: 105 (Trigger Segment)
Group: SG6
Level: 1
Usage: Mandatory
Max Use: 1
Purpose: To specify the name/address and their related function, either by CO82 only and/or unstructured by CO58 or structured by CO80 thru 3207.
Notes: **Second occurrence of this segment, to be used when reporting a third party (Agent - AE) that is responsible for providing the statistical information. Parties are identified by their VAT Registration Number (VATN).**
e.g. NAD+AE+192837465'

Data Element Summary

<u>Data Element</u>	<u>Component Element</u>	<u>Name</u>	<u>Base Attributes</u>	<u>User Attributes</u>
3035		PARTY QUALIFIER	M an..3	M
		AE Declarant's agent/representative		
C082		PARTY IDENTIFICATION DETAILS	C	R
	3039	Party id identification (VATN)	M an..17	M an..12
		The VAT Registration No. (VATN, n..12) of the Agent; plus a branch identifier (where a branch identifier is applicable). (NB numeric representation)		

Segment: **UNS** Section Control
Position: 005
Group:
Level: 0
Usage: Mandatory
Max Use: 1
Purpose: To separate header, detail and summary sections of a message.
Notes: e.g. UNS+D'

Data Element Summary

<u>Data Element</u>	<u>Component Element</u>	<u>Name</u>	<u>Base Attributes</u>	<u>User Attributes</u>
0081		SECTION IDENTIFIER	M a1	M
		D		

Header/detail section separation

Group: **CST** Segment Group 30
Position: 305
Group:
Level: 1
Usage: Conditional (Required)
Max Use: 9999

Segment Summary

	Pos. No.	Seg. ID	Name	Req. Des.	Max. Use	Group: Repeat
M	305	CST	Customs Status of Goods	M	1	
R	315	LOC	Place/Location Identification	C	1	
NR	315	LOC	Place/Location Identification	C	1	
NR	315	LOC	Place/Location Identification	C	1	
C	325	MEA	Measurements	C	1	
C	325	MEA	Measurements	C	1	
			Segment Group 33	O		1
			Segment Group 35	C		1
			Segment Group 38	C		1

Segment: **CST** Customs Status of Goods
Position: 305 (Trigger Segment)
Group: SG30
Level: 1
Usage: Mandatory
Max Use: 1
Purpose: To specify goods in terms of customs identities, status and intended use.
Notes: This segment must be used at least once, and is the start of the item detail.
 NB The order of each composite element C246 is just recommended and not mandatory.
 The segment must be used to report the Nature of Transaction (NOTR). It must also be used to report the Commodity Code (CMCD), except when reporting NIL Returns. Allowance has been made in the segment to report the Statistical Procedure (SPRO), but this is not required by HM Customs & Excise.
 e.g. CST+1+18:112+38019000:122'

Data Element Summary

Data Element	Component Element	Name	Base Attributes	User Attributes
1496		GOODS ITEM NUMBER (GINO)	C n..5	R
		Goods item number. Numerically identifies each separate statistical item in the declaration. Starts at 1 and is incremented by 1 for each successive item.		
C246	7361	CUSTOMS IDENTITY CODES	C	R
		Customs code identification (NOTR)	M an..18	M an2
		Nature of Transaction (NOTR, n2). (NB numeric representation)		
		1st digit: Codes are shown below. X represents the 2nd digit, and is shown for guidance only. 2nd digit: Codes are shown below. Y represents the 1st digit, and is shown for guidance only.		
		1X	All transactions involving actual or intended change of ownership for a consideration (except those appropriate to 2X, 7X, 8X)	
		2X	Returned goods and replacement goods	
		3X	Free of charge transactions involving permanent change of ownership	
		4X	Goods for processing (other than 7X)	
		5X	Goods returned following process (other than 7X)	
		6X	No longer used in the UK.	
		7X	Joint defence projects or other joint inter-governmental production programme	
		8X	Supply of building materials and equipment as part of a general construction or engineering contract	
		9X	Other transactions	
		Y0	In all cases where 6,7,8 or 9 below do not apply.	
		Y6	Credit notes.	
		Y7	Transactions included on supplementary declarations but not shown in boxes 8 or 9 of the VAT returns for the equivalent period.	
		Y8	Transactions included in boxes 8 or 9 of the VAT return but not required on supplementary declarations.	
		Y9	This code is to be used only in conjunction with 1st digit "9" for Nil Returns. NB This is not part of the regulation, but must be submitted for EDCS processing.	
	1131	Code list qualifier	C an..3	R
		112 Statistical nature of transaction		
C246	7361	CUSTOMS IDENTITY CODES	C	R
		Customs code identification (CMCD)	M an..18	M an8
		Commodity code of goods (CMCD, n8). See Intrastat Classification Nomenclature. (NB numeric representation)		
	1131	Code list qualifier	C an..3	R
		122 Commodity		
C246		CUSTOMS IDENTITY CODES	C	N R
	7361	Customs code identification (SPRO)	C an..18	C
		Statistical Procedure. Not Required by HM Revenue & Customs.		
	1131	Code list qualifier	C an..3	C

Segment: **LOC** Place/Location Identification
Position: 315
Group: SG30
Level: 2
Usage: Conditional (Required)
Max Use: 1
Purpose: To identify a country/place/location/related location one/related location two.
Notes: This segment must be used once to report either the Member State from which the consignment arrived (CDSP), or the Member State to which the consignment was despatched (DSTC), as described here. The LOC segment can also be used twice more when sending items not required by HM Revenue & Customs (RDES or RORG / POAR or PODS). The segments can be sent in any order.
 NB The use of Qualifiers "35" and "36" in Data Element 3227 of this segment must correspond to the FLOW "A" and "D" respectively, in the CST segment (position 015). Each message (UNH - UNT) loop must contain all Arrivals or all Dispatches.
 e.g. LOC+35+DE'

Data Element Summary

Data Element	Component Element	Name	Base Attributes	User Attributes
3227		PLACE/LOCATION QUALIFIER	M an..3	M
For Arrivals (FLOW "A"): Use a value of "35" when reporting the Member State from which the consignment arrived (CDSP)				
For Despatches (FLOW "D"): Use a value of "36" when reporting the Member State to which the consignment was despatched (DSTC)				
		35	Country of exportation/despatch	
		36	Country of ultimate destination	
C517		LOCATION IDENTIFICATION	C	R
	3225	Place/location identification (CDSP/DSTC)	C an..25	R an2
Member State from which the consignment arrived (CDSP, a2).				
		AT	Austria	
		BE	Belgium	
		BG	Bulgaria	
		CY	Cyprus [Southern]	
		CZ	Czech Republic	
		DE	Germany	
		DK	Denmark	
		EE	Estonia	
		ES	Spain	
		FI	Finland	
		FR	France	
		GB	United Kingdom	
		GR	Greece	
		HU	Hungary	
		IE	Ireland	
		IT	Italy	
		LT	Lithuania	
		LU	Luxembourg	
		LV	Latvia	
		MT	Malta	
		NL	Netherlands	
		PL	Poland	
		PT	Portugal	

RO	Romania
SE	Sweden
SI	Slovenia
SK	Slovakia

Segment: **LOC** Place/Location Identification
Position: 315
Group: SG30
Level: 2
Usage: Conditional (Not Recommended)
Max Use: 1
Purpose: To identify a country/place/location/related location one/related location two.
Notes: The second occurrence of the segment is used to map the Region of Origin (RORG) or the Region of Destination (RDES) which are items NOT REQUIRED by HM Revenue & Customs. If transmitted they will be ignored. The LOC segments can be sent in any order.

Data Element Summary

<u>Data Element</u>	<u>Component Element</u>	<u>Name</u>	<u>Base Attributes</u>	<u>User Attributes</u>
3227		PLACE/LOCATION QUALIFIER	M an..3	M
		47 Region of destination		
		106 Region of origin		
C517		LOCATION IDENTIFICATION	C	R
	3225	Place/location identification (RORG/RDES) RDES (47) or RORG (106) - Region of Destination/Origin	C an..25	R

Segment: **LOC** Place/Location Identification
Position: 315
Group: SG30
Level: 2
Usage: Conditional (Not Recommended)
Max Use: 1
Purpose: To identify a country/place/location/related location one/related location two.
Notes: The third occurrence of the segment is used to map the Place/Port of Loading (PODS) or the Place/Port of Discharge (POAR) which are items NOT REQUIRED by HM Revenue & Customs. If transmitted they will be ignored. The LOC segments can be sent in any order.

Data Element Summary

<u>Data Element</u>	<u>Component Element</u>	<u>Name</u>	<u>Base Attributes</u>	<u>User Attributes</u>
3227		PLACE/LOCATION QUALIFIER	M an..3	M
		9 Place/port of loading		
		11 Place/port of discharge		
C517		LOCATION IDENTIFICATION	C	R
	3225	Place/location identification (PODS/POAR)	C an..25	R
		POAR (11) or PODS (9) - Port of Arrival/Dispatch		

Segment: **MEA** Measurements
Position: 325
Group: SG30
Level: 2
Usage: Conditional (Optional)
Max Use: 1
Purpose: To specify physical measurements, incl. dimension tolerances, weights and counts.
Notes:

The LOC segment can be used twice. It is shown here to report Net Mass (NTWT), but can also be used for supplementary Units (SPQY) when required. NB The MEA segments can be sent in any order.

e.g. MEA+WT++KGM:10000'

Data Element Summary

<u>Data Element</u>	<u>Component Element</u>	<u>Name</u>	<u>Base Attributes</u>	<u>User Attributes</u>
6311		MEASUREMENT APPLICATION QUALIFIER	M an..3	M
Use a value of "WT" when reporting the first tariff quantity (NTWT).				
		WT Weights		
C502		MEASUREMENT DETAILS	C	N R
Not Required by HM Revenue & Customs				
C174		VALUE/RANGE	C	R
	6411	Measure unit qualifier	M an..3	M
		KGM Use this value when reporting NTWT		
	6314	Measurement value (NTWT)	C n..18	R n..11
First quantity (NTWT, n..11): (net mass in kilos) where the net mass is required by the Intrastat Classification Nomenclature - round to whole kgm above.				

Segment: **MEA** Measurements

Position: 325

Group: SG30

Level: 2

Usage: Conditional (Optional)

Max Use: 1

Purpose: To specify physical measurements, incl. dimension tolerances, weights and counts.

Notes: This segment is shown here to report Supplementary Units (SPQY) when required by the Intradat Classification Nomenclature. NB The MEA segments can be sent in any order.

e.g. MEA+AAE++ICN:12000'

Data Element Summary

<u>Data Element</u>	<u>Component Element</u>	<u>Name</u>	<u>Base Attributes</u>	<u>User Attributes</u>
6311		MEASUREMENT APPLICATION QUALIFIER	M an..3	M
Use a value of "AAE" when reporting the second tariff quantity (SPQY).				
	AAE	Measurement		
C502		MEASUREMENT DETAILS	C	N R
Not Required by HM Revenue & Customs.				
C174		VALUE/RANGE	C	R
	6411	Measure unit qualifier	M an..3	M
		ICN Use this value when reporting SPQY		
	6314	Measurement value (SPQY)	C n..18	R n..11
Supplementary Units (SPQY, n..11).				

Group: **MOA** Segment Group 33
Position: 355
Group: Segment Group 30 Conditional (Required)
Level: 2
Usage: Optional (Required)
Max Use: 1

Segment Summary

	<u>Pos.</u> <u>No.</u>	<u>Seg.</u> <u>ID</u>	<u>Name</u>	<u>Req.</u> <u>Des.</u>	<u>Max.</u> <u>Use</u>	<u>Group:</u> <u>Repeat</u>
M	355	MOA	Monetary Amount	M	1	

Segment: **MOA** Monetary Amount
Position: 355 (Trigger Segment)
Group: SG30-SG33
Level: 2
Usage: Mandatory
Max Use: 1
Purpose: To specify a monetary amount.
Notes: This segment must be used to report the Value of the Goods (VALU).

e.g. MOA+38:24516'

Data Element Summary

<u>Data Element</u>	<u>Component Element</u>	<u>Name</u>	<u>Base Attributes</u>	<u>User Attributes</u>
C516		MONETARY AMOUNT	M	M
	5025	Monetary amount type qualifier 38 Invoice item amount	M an..3	M
	5004	Monetary amount (VALU)	C n..18	R n..14
Value of the Goods (VALU, n..14). Negative values (i.e. use of the '-' (minus) sign) are not allowed. Round to the nearest whole pound except where the value is less than 50p, when you should show £1 as the declared value. (Do not show commas, full stops or decimals). The value is not to be declared in Euro.				

Group: **RFF** Segment Group 35
Position: 370
Group: Segment Group 30 Conditional (Required)
Level: 2
Usage: Conditional (Advised)
Max Use: 1

Segment Summary

	Pos.	Seg.		Req.	Max.	Group:
	<u>No.</u>	<u>ID</u>	<u>Name</u>	<u>Des.</u>	<u>Use</u>	<u>Repeat</u>
M	370	RFF	Reference	M	1	

Segment: **RFF** Reference
Position: 370 (Trigger Segment)
Group: SG30-SG35
Level: 2
Usage: Mandatory
Max Use: 1
Purpose: To specify a reference.

Notes: This segment is used when reporting the Declarant's Reference Number (DREF), e.g. invoice number. Its use is optional, but inclusion will help with any query action.

e.g. RFF+ABE:0A491B'

Data Element Summary

<u>Data Element</u>	<u>Component Element</u>	<u>Name</u>	<u>Base Attributes</u>	<u>User Attributes</u>
C506		REFERENCE	M	M
	1153	Reference qualifier ABE Declarant's reference number	M an..3	M
	1154	Reference number (DREF) Declarant's Reference Number (DREF, an..14).	C an..35	R an..14

Group: **TOD** Segment Group 38
Position: 420
Group: Segment Group 30 Conditional (Required)
Level: 2
Usage: Conditional (Optional)
Max Use: 1

Segment Summary

	Pos.	Seg.		Req.	Max.	Group:
	No.	ID	Name	Des.	Use	Repeat
M	420	TOD	Terms of Delivery	M	1	

Segment: **TOD** Terms of Delivery
Position: 420 (Trigger Segment)
Group: SG30-SG38
Level: 2
Usage: Mandatory
Max Use: 1
Purpose: To specify terms of delivery.
Notes: This segment must be supplied to report the Terms of Delivery (TODI) for declarants identified as being above the specified threshold(s) for arrivals and despatches.
 e.g. TOD+++CIF'

Data Element Summary

<u>Data Element</u>	<u>Component Element</u>	<u>Name</u>	<u>Base Attributes</u>	<u>User Attributes</u>
4055		TERMS OF DELIVERY FUNCTION, CODED	C an..3	NR
Not Required by HM Revenue & Customs.				
4215		TRANSPORT CHARGES METHOD OF PAYMENT, CODED	C an..3	NR
Not Required by HM Revenue & Customs.				
C100		TERMS OF DELIVERY	C	R
	4053	Terms of delivery, coded (TODI)	C an..3	R an3
Terms of Delivery (TODI, a3).				
		CFR	Cost and Freight (C & F).	
		CIF	Cost, Insurance and Freight.	
		CIP	Carriage and insurance paid to.	
		CPT	Carriage paid to.	
		DAF	Delivered at frontier.	
		DDP	Delivered duty paid	
		DDU	Delivered duty unpaid.	
		DEQ	Delivered ex-quay.	
		DES	Delivered ex-ship	
		EXW	Sale Ex-works.	
		FAS	Free alongside ship.	
		FCA	Free carrier.	
		FOB	Free on board.	
		XXX	Other delivery terms.	

Segment: **UNS** Section Control
Position: 005
Group:
Level: 0
Usage: Mandatory
Max Use: 1
Purpose: To separate header, detail and summary sections of a message.
Notes: e.g. UNS+S'

Data Element Summary

<u>Data Element</u>	<u>Component Element</u>	<u>Name</u>	<u>Base Attributes</u>	<u>User Attributes</u>
0081		SECTION IDENTIFIER	M a1	M
		S		

Detail/summary section separation

Segment: **UNT** Message Trailer
Position: 040
Group:
Level: 0
Usage: Mandatory
Max Use: 1
Purpose: To end and check the completeness of a message.
Notes: e.g. UNT+29+INSTAT14'

Data Element Summary

<u>Data Element</u>	<u>Component Element</u>	<u>Name</u>	<u>Base Attributes</u>	<u>User Attributes</u>
0074		NUMBER OF SEGMENTS IN A MESSAGE (NSEG)	M n..6	M
0062		MESSAGE REFERENCE NUMBER (MREF)	M an..14	M

As per UNH (0062).

Example No. 1 of Intrastat message - wrapped as transmitted:

```
UNB+UNOA:2+DANGERPILEYPIC+OTHER+050731:0955+14++LIVDEC'UNH+INSTAT14+CUSDEC:
S:93A:UN:INSTAT'BGM+896'CST++D:176'DTM+137:050731'DTM+320:0507'NAD+AE+564738291'NA
D+DT+192837465'UNS+D'CST+1+18:112+38019000:122'LOC+36+IE'MEA+WT++KGM:10000'MEA+A
AE++ICN:12000'MOA+38:24516'RFF+ABE:0A491B'TOD+++CIF'CST+2+18:112+40141000:122'LOC+
36+NL'MEA+WT++KGM:5000'MEA+AAE++ICN:10000'MOA+38:786'RFF+ABE:INV1001'TOD+++FOB'
CST+3+18:112+19021100:122'LOC+36+IT'MEA+AAE++KGM:12000'MOA+38:3000'TOD+++CIF'UNS+
S'UNT+29+INSTAT14'UNZ+1+14'
```

Example No. 1 of Intrastat message - expanded to individual segments:

```
UNB+UNOA:2+DANGERPILEYPIC+OTHER+050731:0955+14++LIVDEC'
UNH+INSTAT14+CUSDEC:S:93A:UN:INSTAT'
BGM+896'
CST++D:176'
DTM+137:050731'
DTM+320:0507'
NAD+AE+564738291'
NAD+DT+192837465'
UNS+D'
CST+1+18:112+38019000:122'
LOC+36+IE'
MEA+WT++KGM:10000'
MEA+AAE++ICN:12000'
MOA+38:24516'
RFF+ABE:0A491B'
TOD+++CIF'
CST+2+18:112+40141000:122'
LOC+36+NL'
MEA+WT++KGM:5000'
MEA+AAE++ICN:10000'
MOA+38:786'
RFF+ABE:INV1001'
TOD+++FOB'
CST+3+18:112+19021100:122'
LOC+36+IT'
MEA+AAE++KGM:12000'
MOA+38:3000'
TOD+++CIF'
UNS+S'
UNT+29+INSTAT14'
UNZ+1+14'
```

The above example shows a Dispatch message containing 3 Customs lines of information. The message was sent by an agent (AE) on behalf of the Declarant (DT).

Example No. 2 of Intrastat Nil Return - wrapped as transmitted:

```
UNB+UNOA:2+DANGERPILEYPIC+OTHER+050731:0955+15++LIVDEC'UNH+INSTAT15+CUSDEC:
S:93A:UN:INSTAT'BGM+896'CST++A:176'DTM+137:050731'DTM+320:0507'GIS+NIL:42'NAD+DT+19
2837465'UNS+D'CST+1+99:112'UNS+S'UNT+11+INSTAT15'UNZ+1+15'
```

Example No. 2 of Intrastat Nil Return - expanded to individual segments:

```
UNB+UNOA:2+DANGERPILEYPPLC+OTHER+050731:0955+15++LIVDEC'
UNH+INSTAT15+CUSDEC:S:93A:UN:INSTAT'
BGM+896'
CST++A:176'
DTM+137:050731'
DTM+320:0507'
GIS+NIL:42'
NAD+DT+192837465'
UNS+D'
CST+1+99:112'
UNS+S'
UNT+11+INSTAT15'
UNZ+1+15'
```

The above example shows an Arrival Nil Return submitted by the Declarant (DT).

Example No. 3 of Intrastat multiple message - wrapped as transmitted:

```
UNB+UNOA:2+DANGERPILEYPPLC+OTHER+050731:0955+16++LIVDEC'UNH+INSTAT16+CUSDEC:
S:93A:UN:INSTAT'BGM+896'CST++D:176'DTM+137:050731'DTM+320:0507'NAD+AE+564738291'NA
D+DT+192837465'UNS+D'CST+1+18:112+38019000:122'LOC+36+IE'MEA+WT++KGM:10000'MEA+A
AE++ICN:12000'MOA+38:24516'RFF+ABE:0A491B'TOD+++CIF'CST+2+18:112+40141000:122'LOC+
36+NL'MEA+WT++KGM:5000'MEA+AAE++ICN:10000'TDT+2++1'MOA+38:786'RFF+ABE:INV1001'TO
D+++FOB'CST+3+18:112+19021100:122'LOC+36+IT'MEA+AAE++KGM:12000'TDT+2++1'MOA+38:30
00'TOD+++CIF'UNS+S'UNT+29+INSTAT16'UNH+INSTAT17+CUSDEC:S:93A:UN:INSTAT'BGM+896'
CST++A:176'DTM+137:050731'DTM+320:0507'NAD+AE+564738291'NAD+DT+192837465'UNS+D'CS
T+1+18:112+38019000:122'LOC+35+IE'MEA+WT++KGM:10000'MEA+AAE++ICN:12000'MOA+38:245
16'RFF+ABE:0A491B'TOD+++CIF'CST+2+18:112+40141000:122'LOC+35+NL'MEA+WT++KGM:5000'
MEA+AAE++ICN:10000'MOA+38:786'RFF+ABE:INV1001'TOD+++FOB'CST+3+18:112+19021100:122
'LOC+35+IT'MEA+AAE++KGM:12000'MOA+38:3000'TOD+++CIF'UNS+S'UNT+29+INSTAT17'UNZ+2+
16'
```

Example No. 3 of Intrastat multiple message - expanded to individual segments:

```
UNB+UNOA:2+DANGERPILEYPPLC+OTHER+050731:0955+16++LIVDEC'
UNH+INSTAT16+CUSDEC:S:93A:UN:INSTAT'
BGM+896'
CST++D:176'
DTM+137:050731'
DTM+320:0507'
NAD+AE+564738291'
NAD+DT+192837465'
UNS+D'
CST+1+18:112+38019000:122'
LOC+36+IE'
MEA+WT++KGM:10000'
MEA+AAE++ICN:12000'
MOA+38:24516'
RFF+ABE:0A491B'
TOD+++CIF'
CST+2+18:112+40141000:122'
LOC+36+NL'
MEA+WT++KGM:5000'
MEA+AAE++ICN:10000'
MOA+38:786'
RFF+ABE:INV1001'
TOD+++FOB'
CST+3+18:112+19021100:122'
LOC+36+IT'
MEA+AAE++KGM:12000'
MOA+38:3000'
TOD+++CIF'
UNS+S'
UNT+29+INSTAT16'
UNH+INSTAT17+CUSDEC:S:93A:UN:INSTAT'
BGM+896'
CST++A:176'
DTM+137:050731'
DTM+320:0507'
NAD+AE+564738291'
NAD+DT+192837465'
UNS+D'
CST+1+18:112+38019000:122'
LOC+35+IE'
```

INSTAT EDCS Technical Interface Specification Appendix F

MEA+WT++KGM:10000'
MEA+AAE++ICN:12000'
MOA+38:24516'
RFF+ABE:0A491B'
TOD+++CIF'
CST+2+18:112+40141000:122'
LOC+35+NL'
MEA+WT++KGM:5000'
MEA+AAE++ICN:10000'
MOA+38:786'
RFF+ABE:INV1001'
TOD+++FOB'
CST+3+18:112+19021100:122'
LOC+35+IT'
MEA+AAE++KGM:12000'
MOA+38:3000'
TOD+++CIF'
UNS+S'
UNT+29+INSTAT17'
UNZ+2+16'

The above example shows a transmission with 2 messages (1 Arrival + 1 Dispatch).