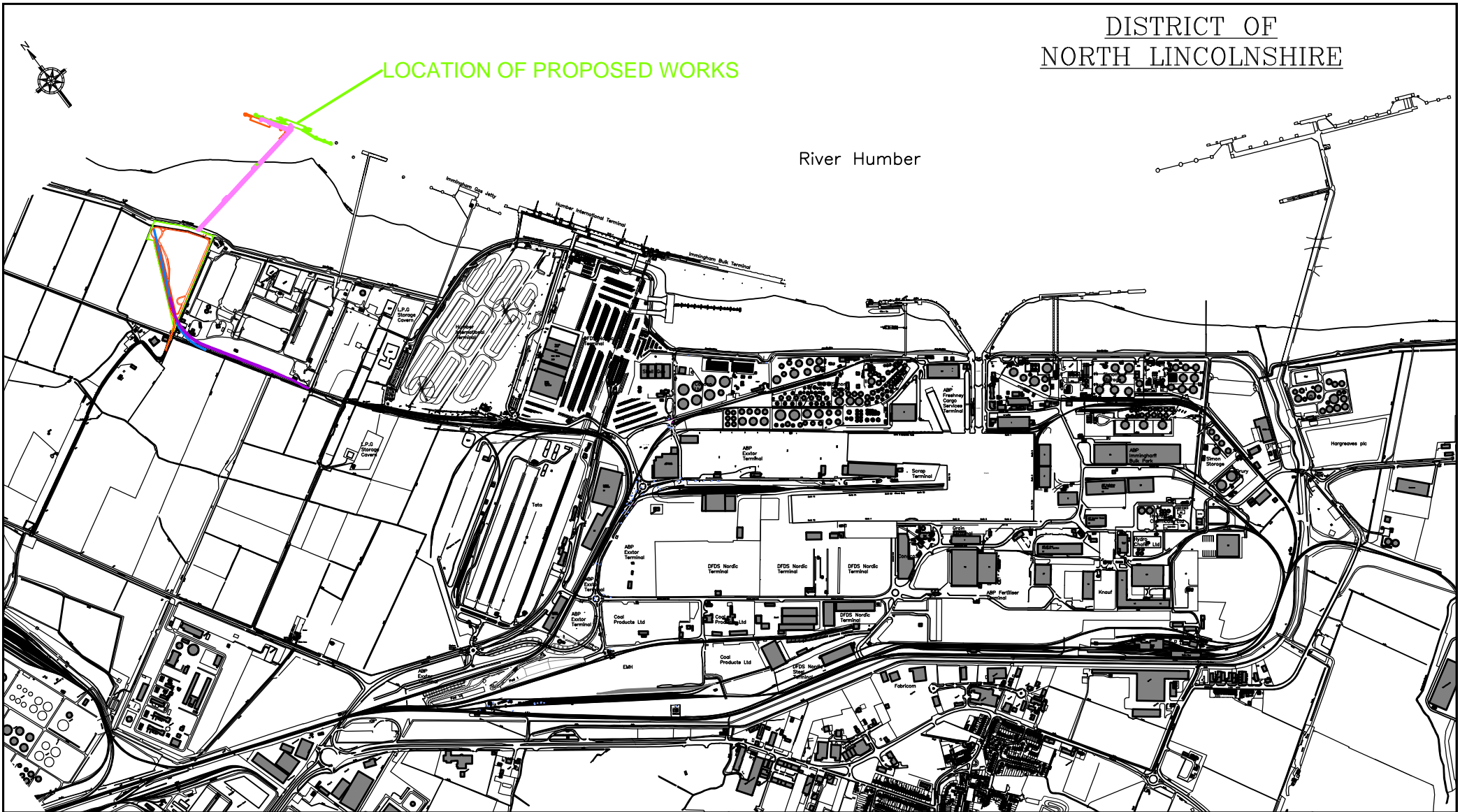


DISTRICT OF
NORTH LINCOLNSHIRE

LOCATION OF PROPOSED WORKS

River Humber



**ABP ASSOCIATED
BRITISH PORTS**
HUMBER Engineering Department

Location
PORT OF GRIMSBY/IMMINGHAM

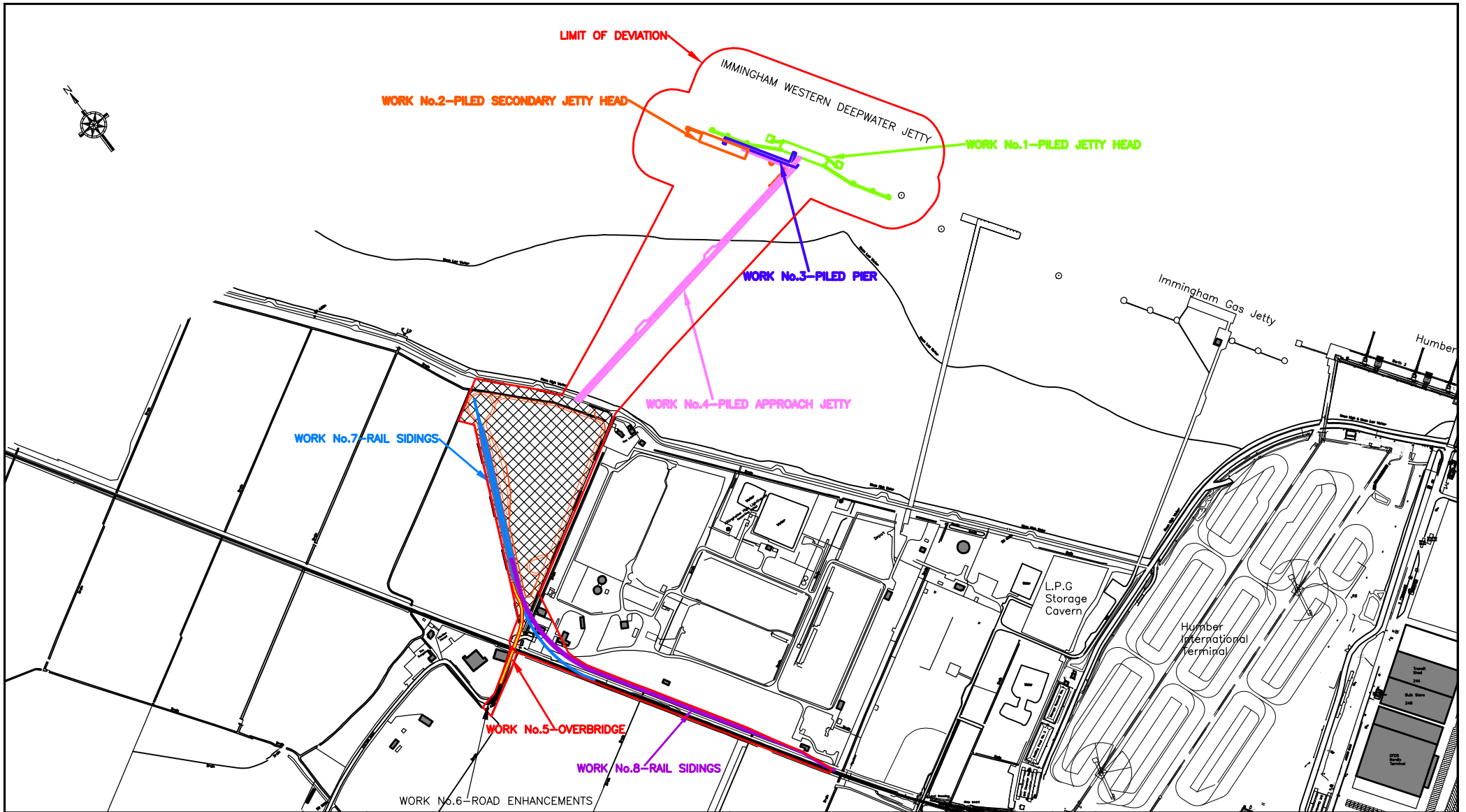
Rev.	Description	Date	Drawn

Status:
PRELIMINARY DRAFT 1

Title
**THE ASSOCIATED BRITISH PORTS
(PORT OF IMMINGHAM WESTERN
DEEPWATER JETTY)
HARBOUR REVISION ORDER 2013
SHEET NO.1
LOCATION PLAN**

Drawn S.J.Newson	Date October 2013
Checked -	Scale 1:20,000@A4
Approved Projects Manager -	Correspondence Ref. -
Contract No. -	Drawing No. DWG No.

Revision
-



ABP ASSOCIATED BRITISH PORTS
HUMBER Engineering Department

Location
PORT OF GRIMSBY/IMMINGHAM

Rev.	Description	Date	Drawn

Status:
PRELIMINARY DRAFT 1

Title
**THE ASSOCIATED BRITISH PORTS
(PORT OF IMMINGHAM WESTERN
DEEPWATER JETTY)
HARBOUR REVISION ORDER 2013
SHEET NO.2
PLAN**

Drawn S.J.Newson	Date October 2013
Checked -	Scale N.T.S.@A4
Approved Projects Manager -	Correspondence Ref. -
Contract No. -	Drawing No. DWG No.

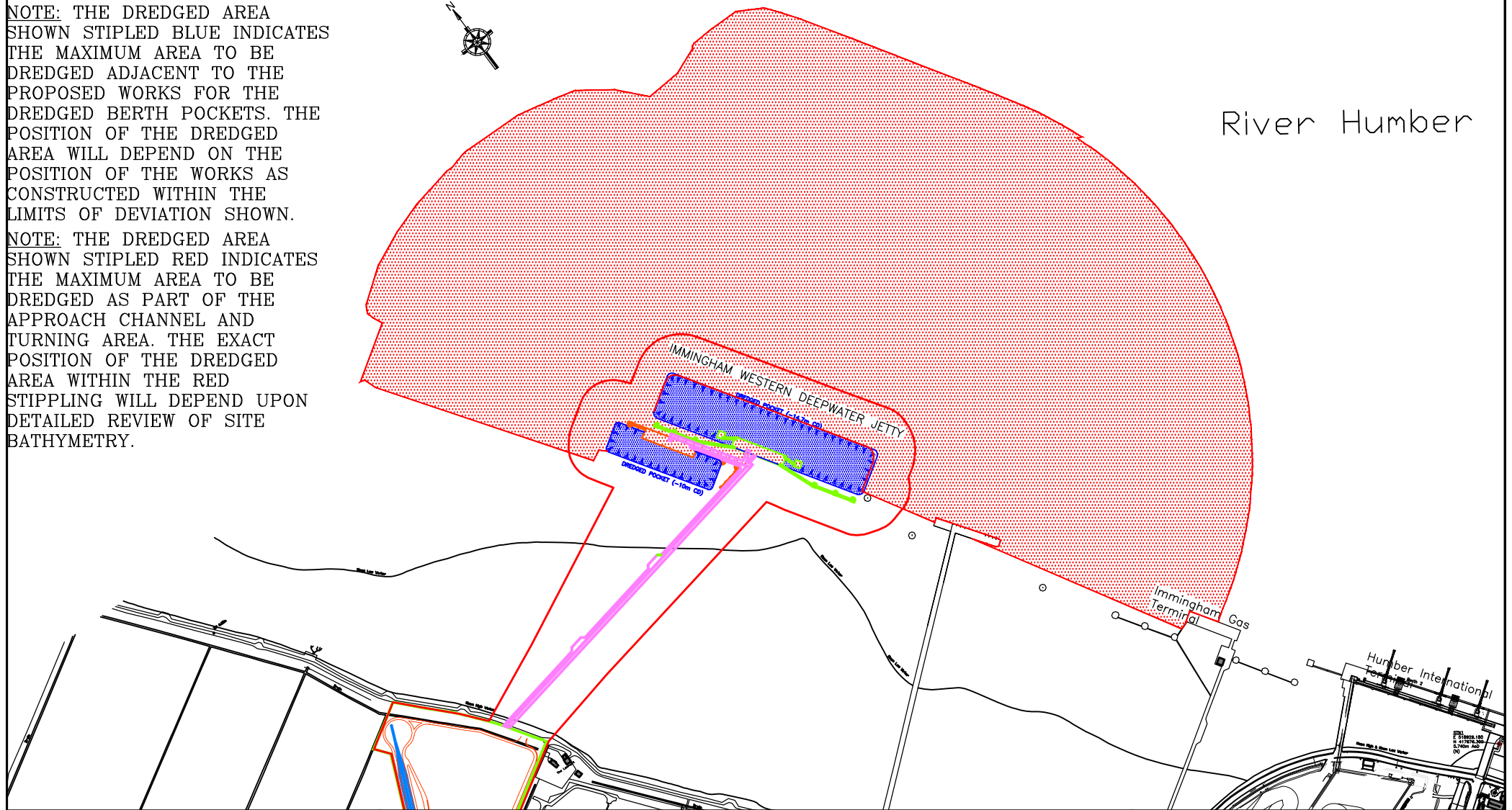
Revision -

NOTE: THE DREDGED AREA SHOWN STIPPLED BLUE INDICATES THE MAXIMUM AREA TO BE DREDGED ADJACENT TO THE PROPOSED WORKS FOR THE DREDGED BERTH POCKETS. THE POSITION OF THE DREDGED AREA WILL DEPEND ON THE POSITION OF THE WORKS AS CONSTRUCTED WITHIN THE LIMITS OF DEVIATION SHOWN.

NOTE: THE DREDGED AREA SHOWN STIPPLED RED INDICATES THE MAXIMUM AREA TO BE DREDGED AS PART OF THE APPROACH CHANNEL AND TURNING AREA. THE EXACT POSITION OF THE DREDGED AREA WITHIN THE RED STIPPLING WILL DEPEND UPON DETAILED REVIEW OF SITE BATHYMETRY.



River Humber



ABP ASSOCIATED BRITISH PORTS
HUMBER Engineering Department

Location
PORT OF GRIMSBY/IMMINGHAM

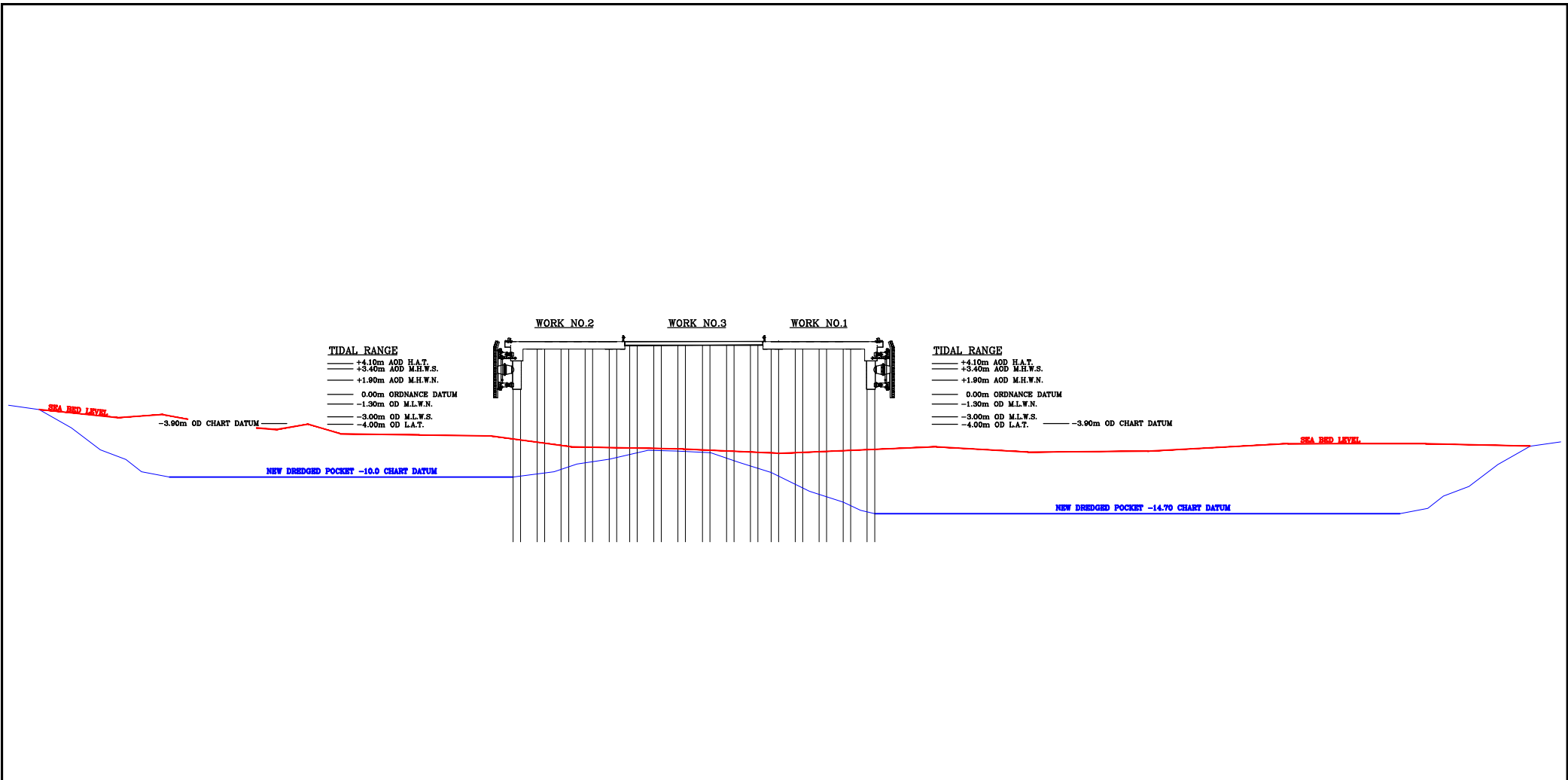
Rev.	Description	Date	Drawn

Status:
PRELIMINARY DRAFT 1

Title
**THE ASSOCIATED BRITISH PORTS
(PORT OF IMMINGHAM WESTERN
DEEPWATER JETTY)
HARBOUR REVISION ORDER 2013
SHEET NO.3
DREDGING LIMITS**

Drawn S.J.Newson	Date October 2013
Checked -	Scale n.t.s.:@A4
Approved Projects Manager -	Correspondence Ref. -
Contract No. -	Drawing No. DWG No.

Revision -



ABP ASSOCIATED BRITISH PORTS
HUMBER Engineering Department

Rev.	Description	Date	Drawn
-	-	-	-

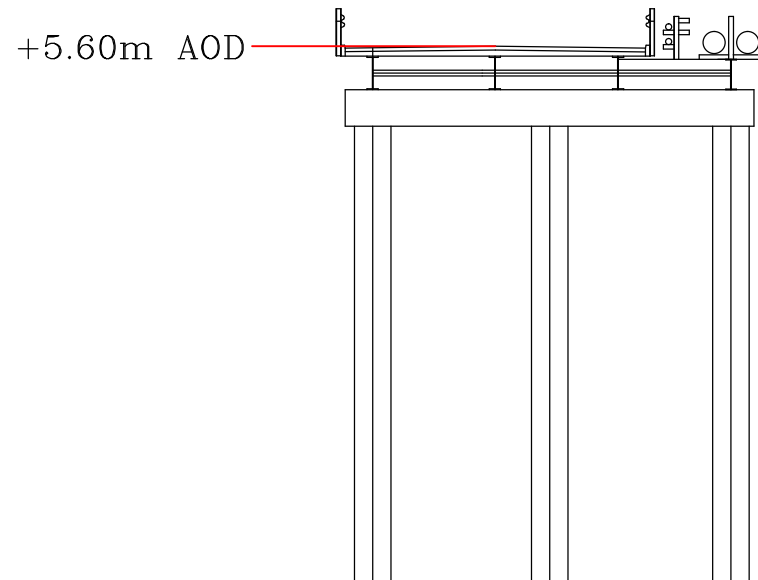
Title
 THE ASSOCIATED BRITISH PORTS
 (PORT OF IMMINGHAM WESTERN
 DEEPWATER JETTY)
 HARBOUR REVISION ORDER 2013
 SHEET NO.4
 SECTION OF WORKS Nos.1,2AND 3

Drawn S.J.Newson	Date October 2013
Checked -	Scale 1:750@A4
Approved Projects Manager -	
Correspondence Ref. -	Contract No. -
Drawing No. DWG No.	Revision -

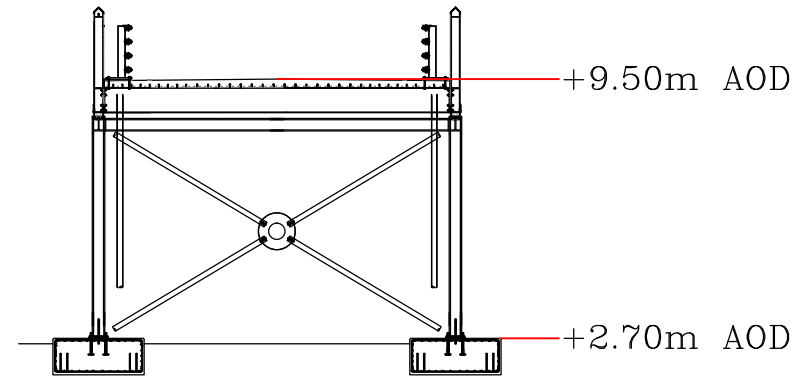
Location
 PORT OF GRIMSBY/IMMINGHAM

Status
 PRELIMINARY DRAFT 1

WORK NO.4
cross-section



WORK NO.5
cross-section



ABP ASSOCIATED
BRITISH PORTS
HUMBER Engineering Department

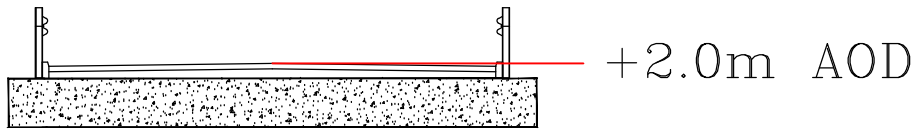
Location
PORT OF GRIMSBY/IMMINGHAM

Rev.	Description	Date	Drawn
-	-	-	-

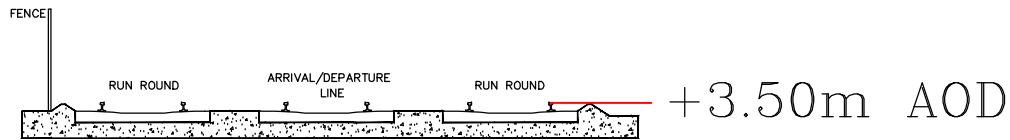
Status:
PRELIMINARY DRAFT 1

Title
THE ASSOCIATED BRITISH PORTS
(PORT OF IMMINGHAM WESTERN
DEEPWATER JETTY)
HARBOUR REVISION ORDER 2013
SHEET No.5
SECTION OF WORKS Nos.4 AND 5

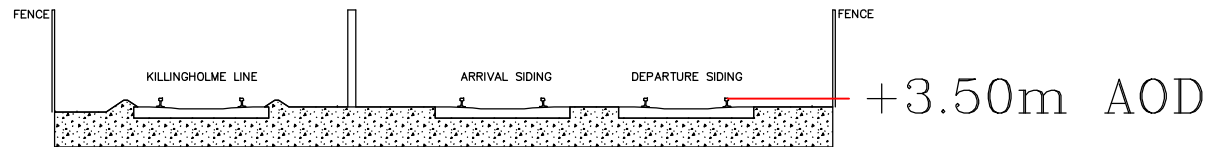
Drawn S.J.Newson	Date October 2013
Checked -	Scale 1:xxx@A4
Approved Projects Manager -	
Correspondence Ref. -	Contract No. -
Drawing No. DWG No.	Revision -



WORK NO.6
cross-section



WORK NO.7
cross-section



WORK NO.8
cross-section

ABP ASSOCIATED
BRITISH PORTS
HUMBER Engineering Department

Location
PORT OF GRIMSBY/IMMINGHAM

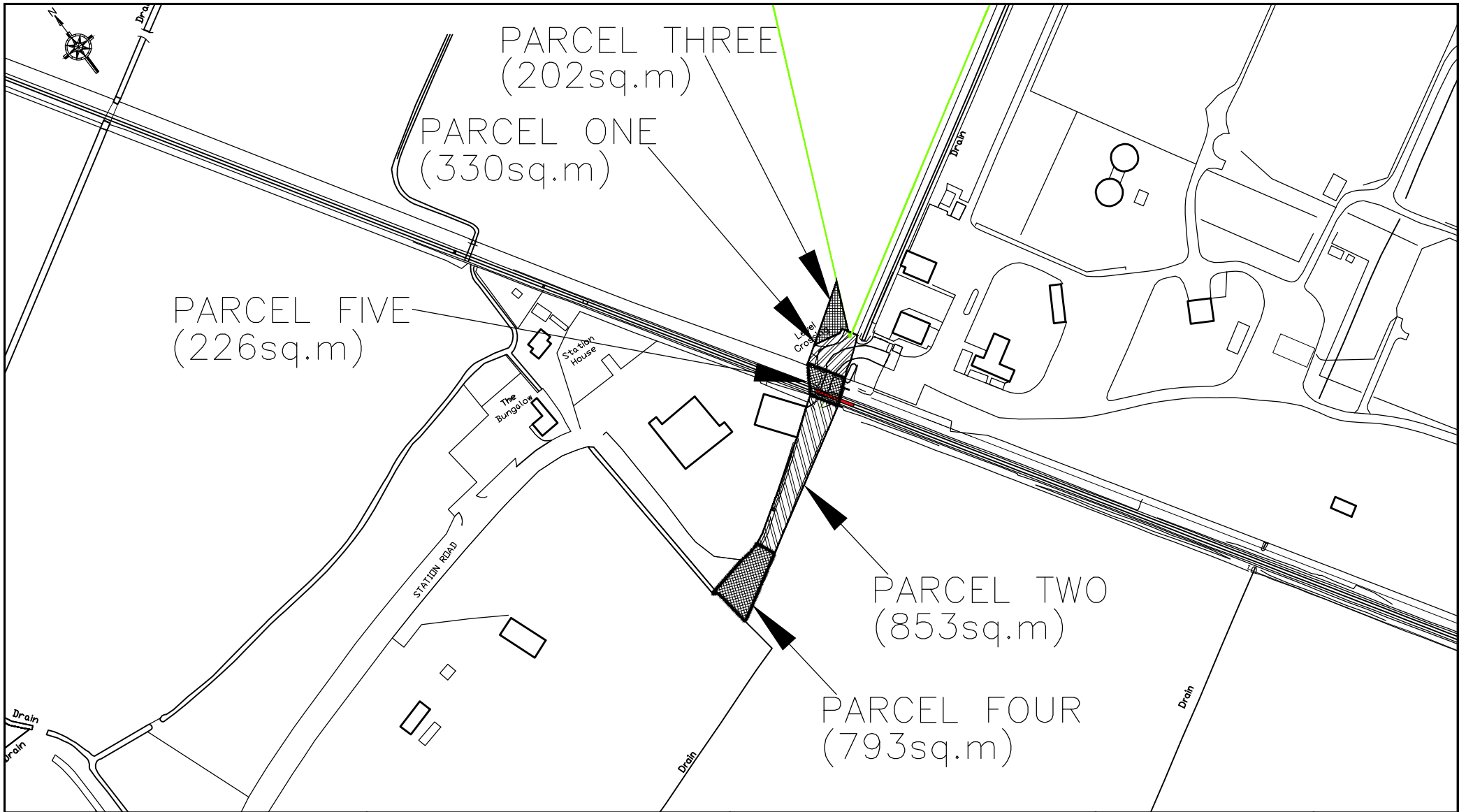
Rev.	Description	Date	Drawn
-	-	-	-

Status:
PRELIMINARY DRAFT 1

Title
THE ASSOCIATED BRITISH PORTS
(PORT OF IMMINGHAM WESTERN
DEEPWATER JETTY)
HARBOUR REVISION ORDER 2013
SHEET No.6
SECTION OF WORKS Nos.6,7 AND 8

Drawn S.J.Newson	Date October 2013
Checked -	Scale 1:xxx@A4
Approved Projects Manager -	
Correspondence Ref. -	

Contract No. -	Drawing No. DWG No.	Revision -
-------------------	------------------------	---------------



ABP ASSOCIATED BRITISH PORTS
 HUMBER Engineering Department

Location
PORT OF GRIMSBY/IMMINGHAM

Rev.	Description	Date	Drawn

Status:
PRELIMINARY DRAFT 1

Title
**THE ASSOCIATED BRITISH PORTS
 (PORT OF IMMINGHAM WESTERN
 DEEPWATER JETTY)
 HARBOUR REVISION ORDER 2013
 ANNEXED MAP**

Drawn S.J.Newson	Date October 2013
Checked -	Scale 1:2500@A4
Approved Projects Manager -	
Correspondence Ref. -	Contract No. -
Drawing No. DWG No.	Revision -