

# AMENDMENT TO CERTIFICATE

## Certification No 2075 Amendment No 38

Submitted by: **Elster Metering**  
**430 Camford Way**  
**Luton**  
**Bedfordshire**  
**LU3 3AN**

Authorisation is hereby given by the Secretary of State for Business, Innovation and Skills for the following Certificate of approval relating to a pattern of a liquid measuring instrument (cold water) to be amended as described below.

### 2075

This Approval is extended to include the addition of the following authorised alternative:

#### **4.51 Alternative shroud to accommodate pulse transmitter**

The alternative shroud has an increase surface area to support a pulse unit and raised a rib to prevent external tampering as shown in Figure 49, and larger holes introduced for bigger self tapping screws to affix the pulse housing. This shroud may be fitted with or without a pulse transmitter.

#### **4.52 Inductive pointer**

Having an inductive pointer with a stainless steel insert (Figure 50).

#### **4.53 Anti-magnet Tamper shielding**

Having the anti-magnet tamper shielding arrangement shown in Figure 51. and the alternative pressure plate as shown in Figure 52 which acts to locate the shielding for models V200 and V210 polymer meters.

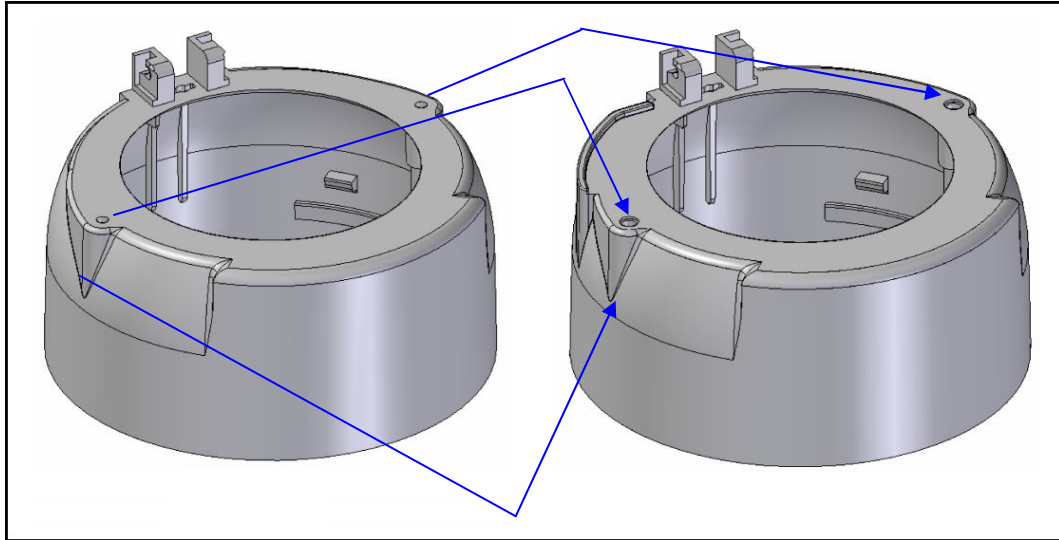


*Signatory:* G Stones  
for Chief Executive  
National Weights & Measures Laboratory  
(Part of the National Measurement Office)  
Department for Business, Innovation & Skills  
Stanton Avenue  
Teddington  
Middlesex TW11 0JZ  
United Kingdom

Reference No: T1132/0010/21

Date: 3<sup>rd</sup> May 2010

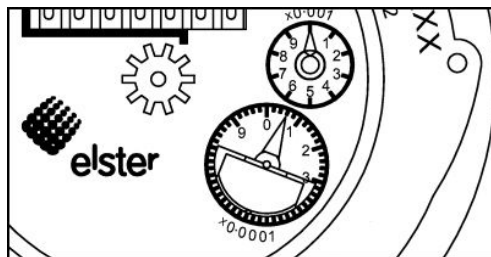
CONTINUATION OF AMENDMENT TO CERTIFICATE



**Old Shroud**

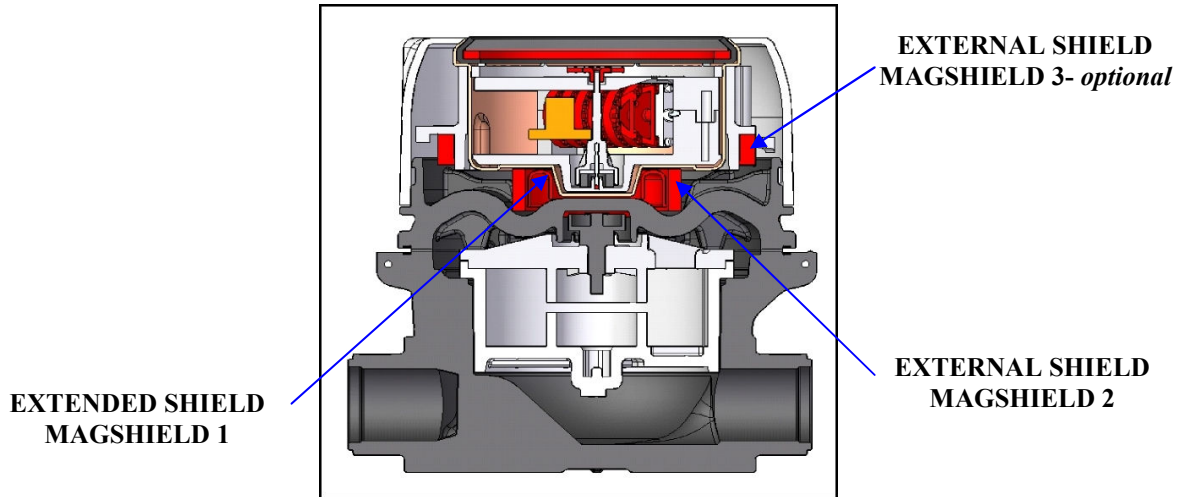
**New Shroud**

**Figure 49 Old and New Shrouds**



**Figure 50 Stainless Steel Insert Inductive Pointer**

CONTINUATION OF AMENDMENT TO CERTIFICATE



**Figure 51 Additional Magnetic Shielding**



**Old Pressure Plate**

**New Pressure Plate**

**Figure 52 Old and New Pressure Plates**