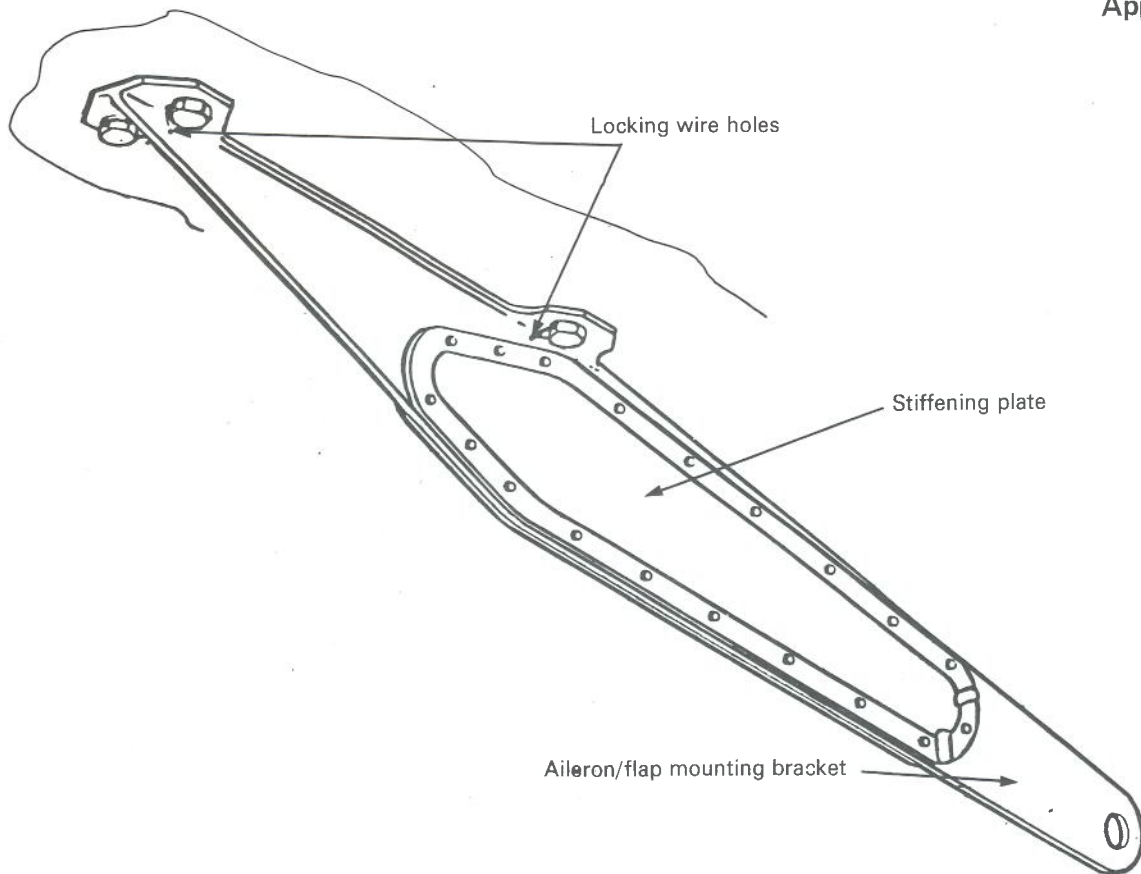


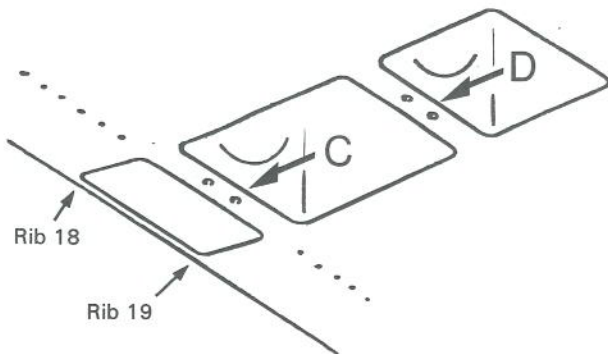


(Courtesy Pilatus Aircraft Ltd)

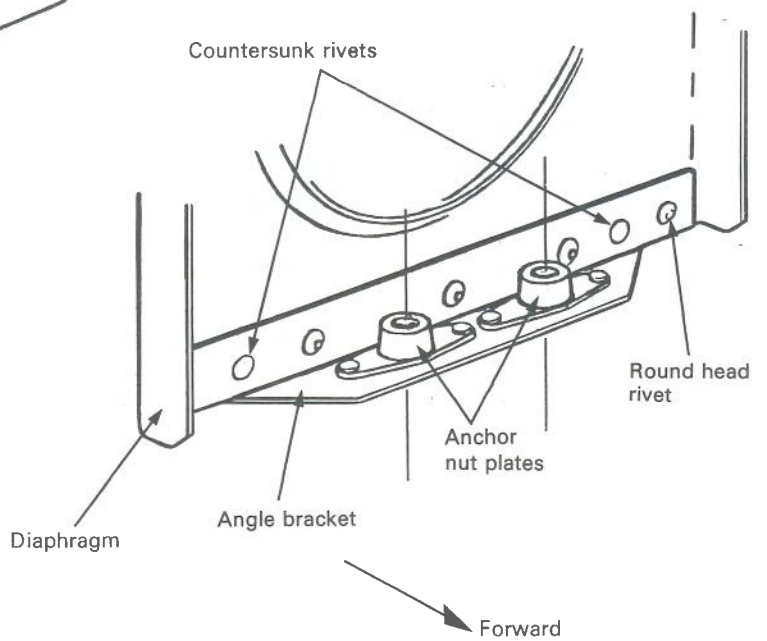
Pilatus PC-6/B2-H2 Turbo Porter

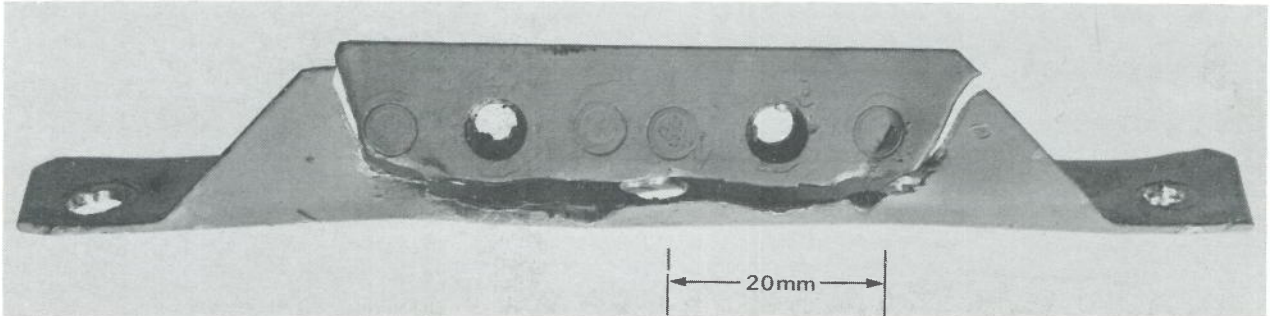


LEFT WING UNDERSIDE

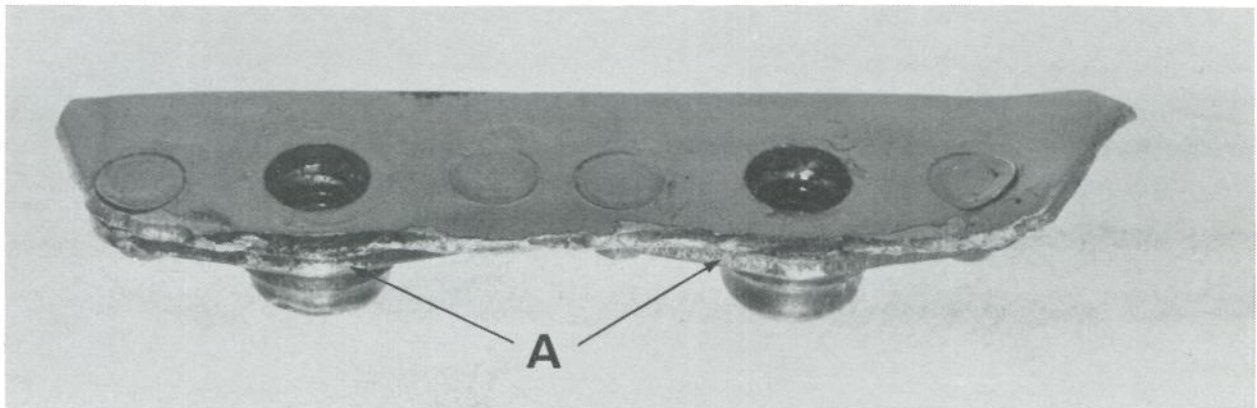


VIEW C AND D



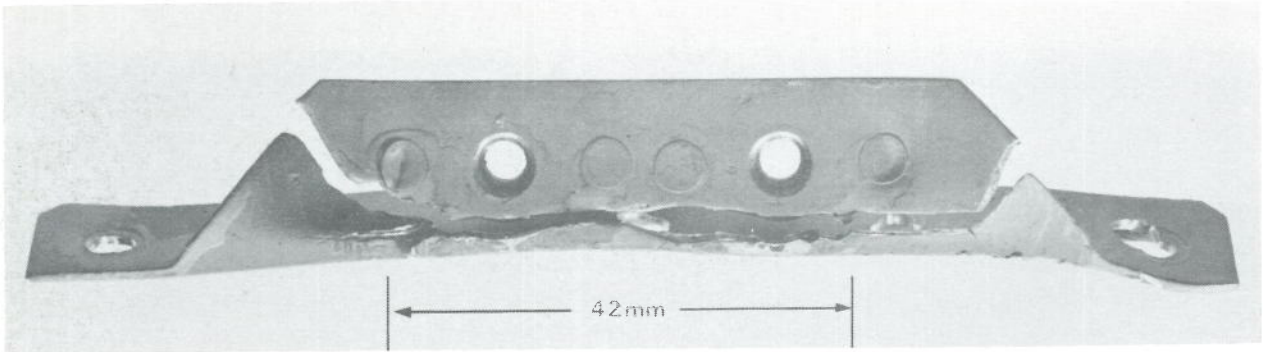


Left centre rear bracket, fatigue affected area indicated (x 1.4)

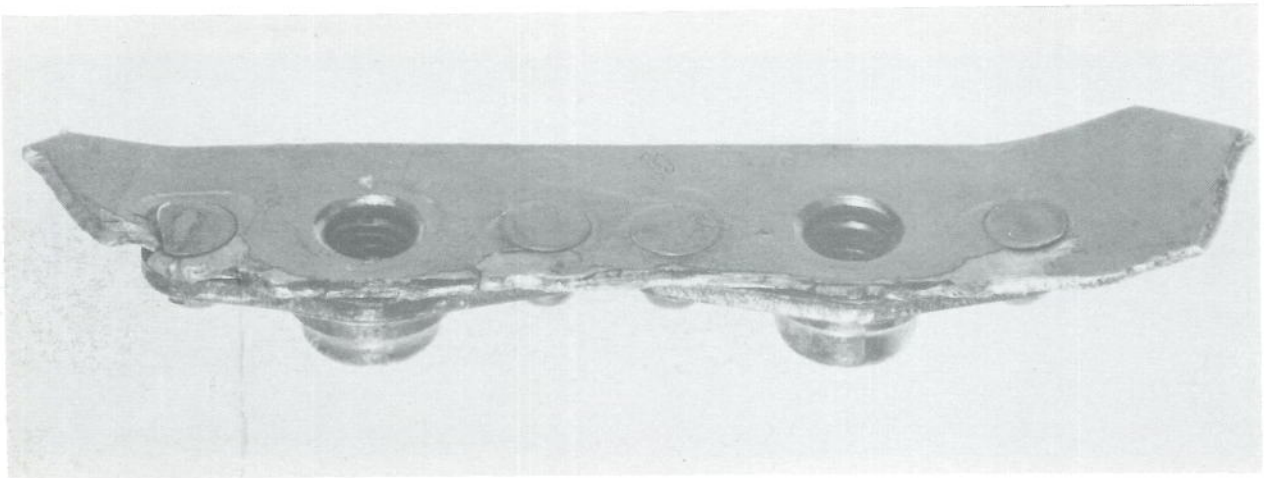


Left centre rear bracket fracture. Arrow A indicates captive nut flanges (x 2.4)

Centre rear angle bracket failure – left aileron



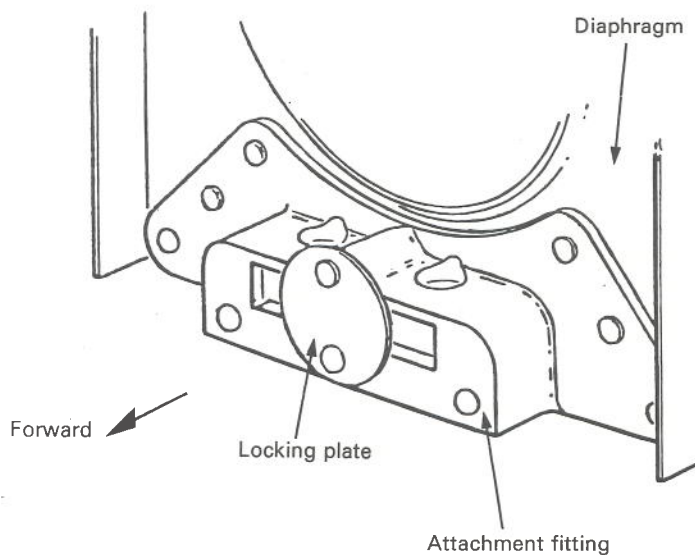
Right centre rear bracket. Length of fatigue crack indicated by arrows (x 1.4)



Right centre rear bracket fracture (x 2.4)

Centre rear angle bracket failure — right aileron

VIEW C AND D



VIEW OF LEFT WING UNDERSIDE

