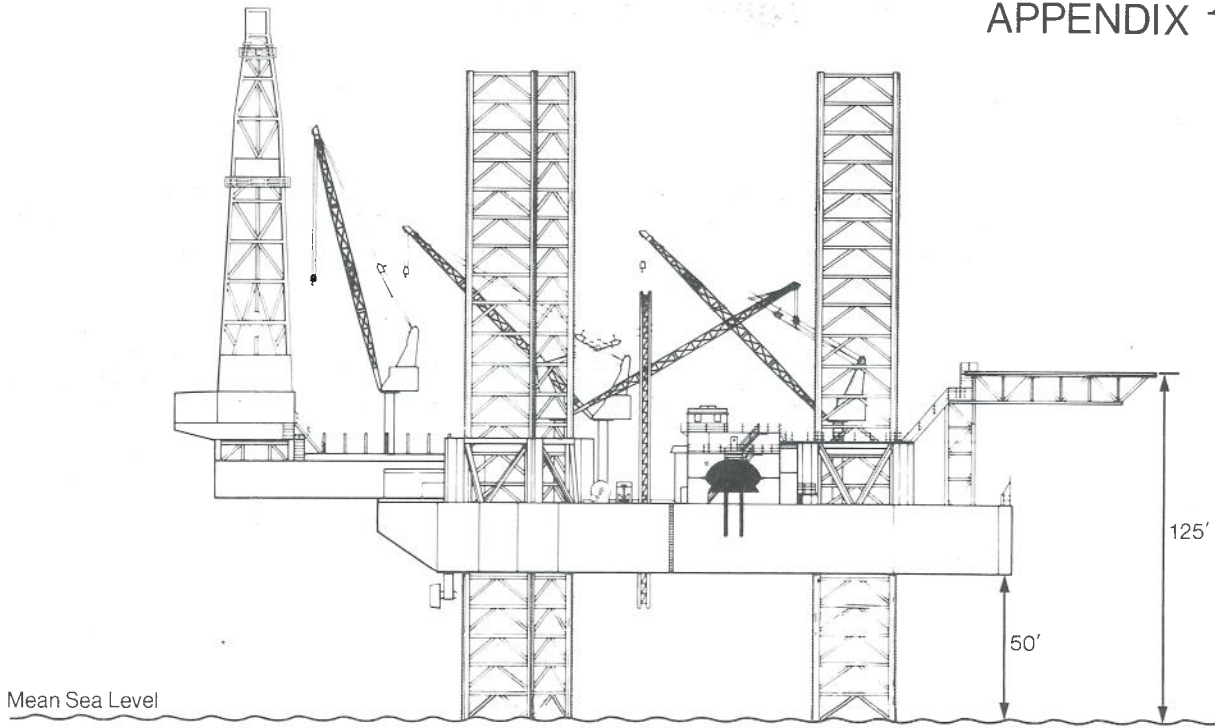
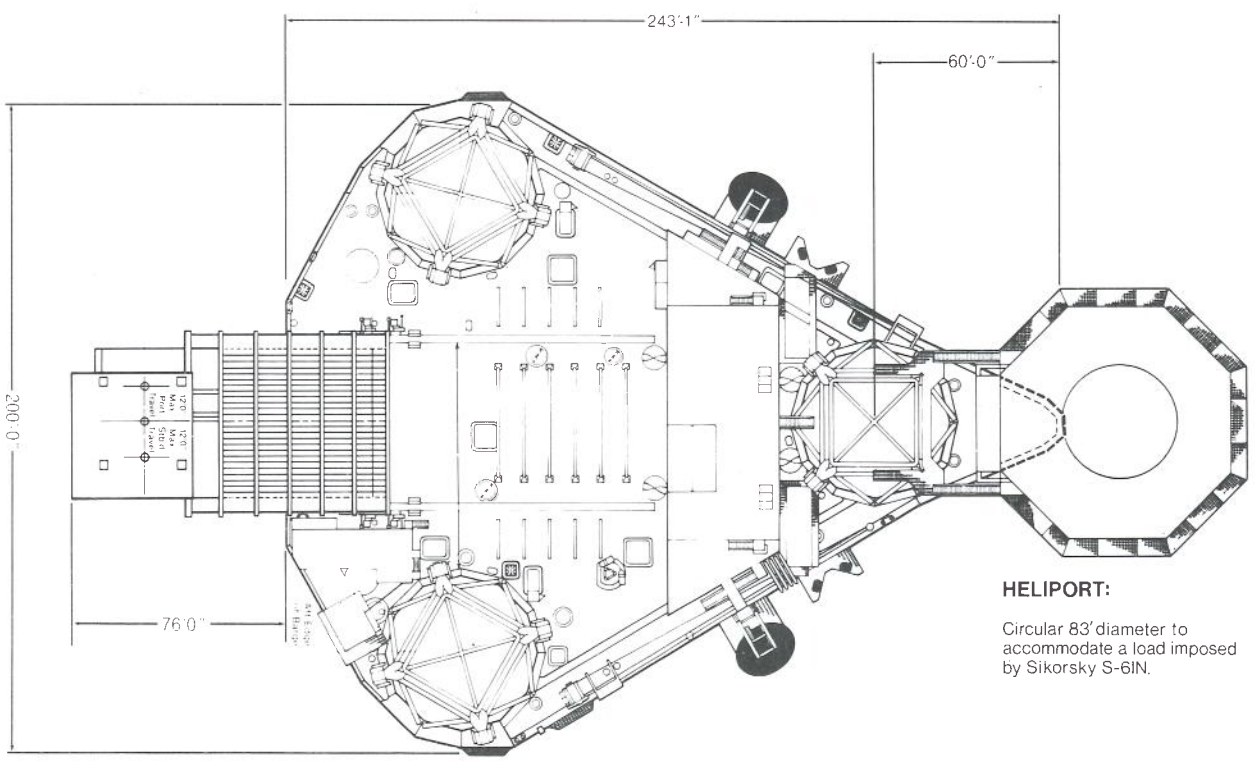


APPENDIX 1(a)



SIDE ELEVATION



HELIPORT:
 Circular 83' diameter to accommodate a load imposed by Sikorsky S-61N.

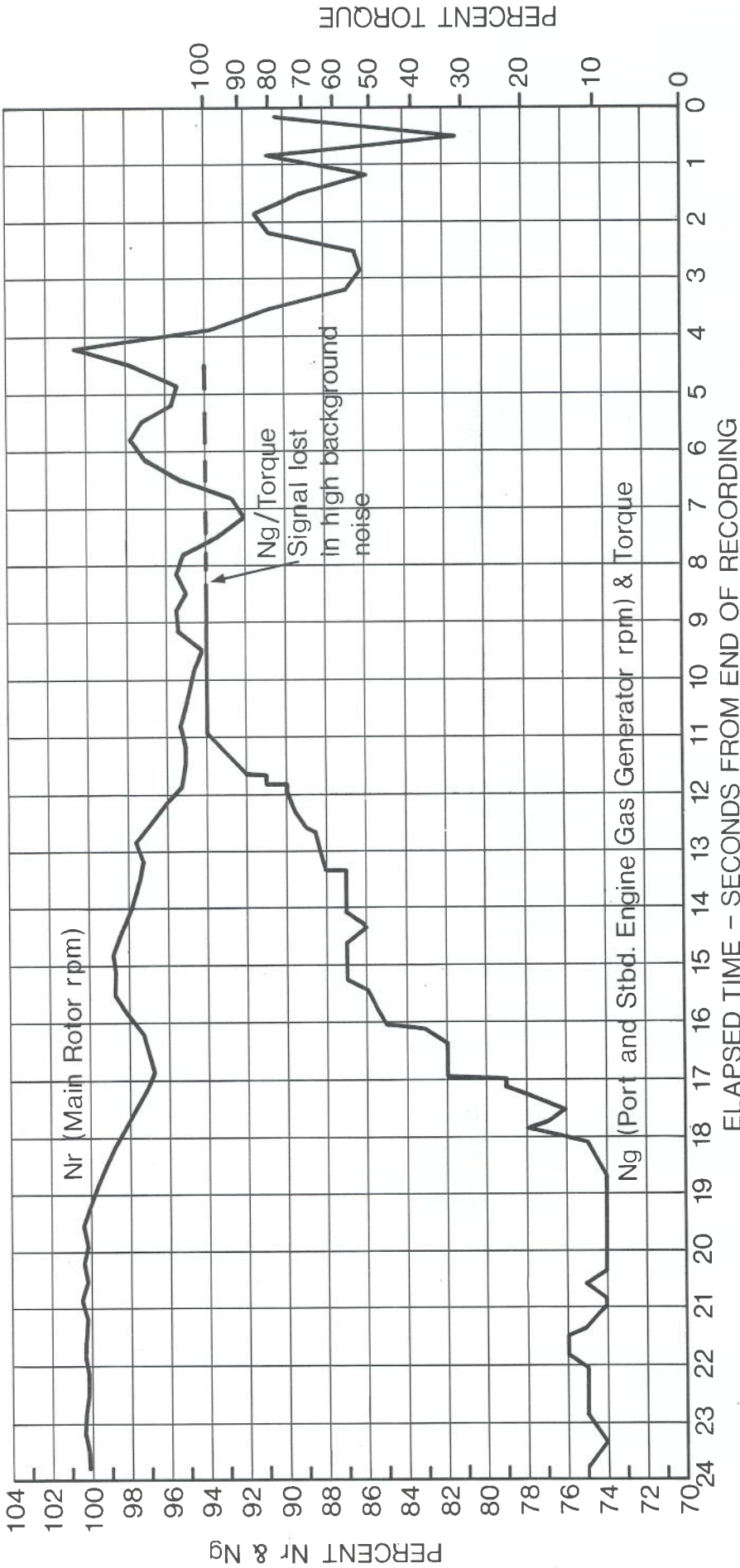
PLAN

ROWAN RIG 039 "CECILE PROVINE"



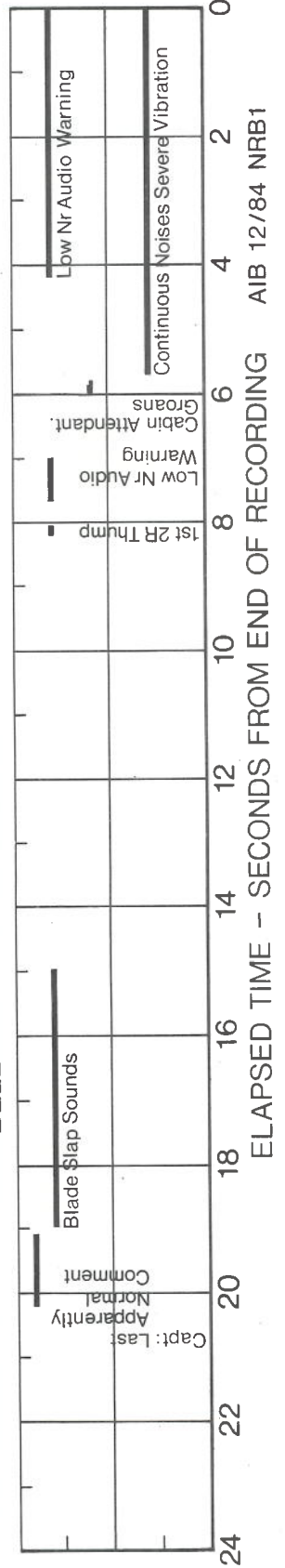
ROWAN RIG "CECILE PROVINE"
FROM G-BJJR's APPROACH DIRECTION

COCKPIT VOICE RECORDER (CVR) AUDIO ANALYSIS



BELL 212 G-BJJR Nr, Ng & TORQUE

BELL 212 G-BJJR EVENTS DERIVED FROM CVR





1. G-BJJR Wreckage showing extent of structural disruption.



2. G-BJJR Tail boom showing main rotor strikes.