

ENGINE TO MAIN GEARBOX DRIVE TRAIN - EXPLODED VIEW

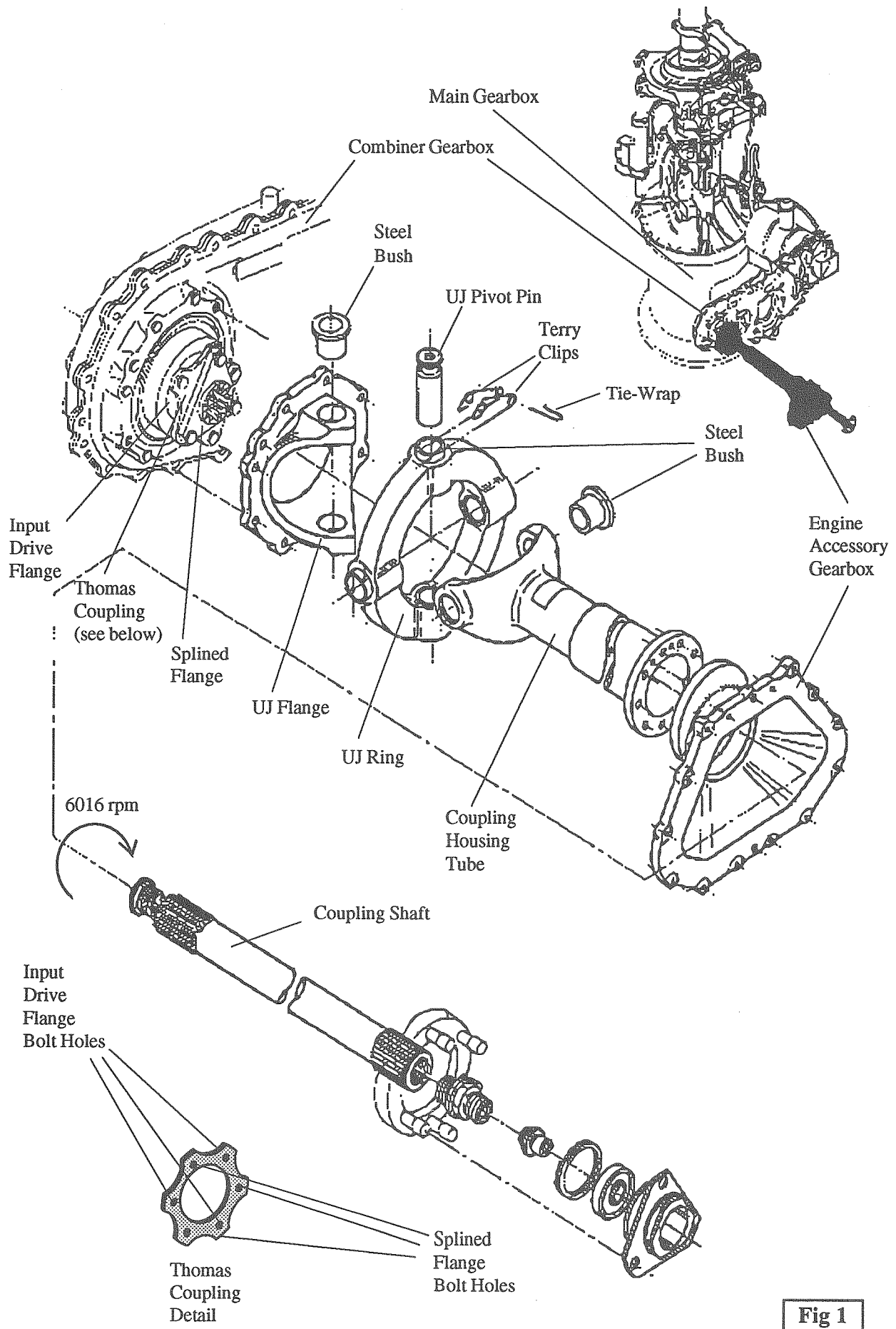
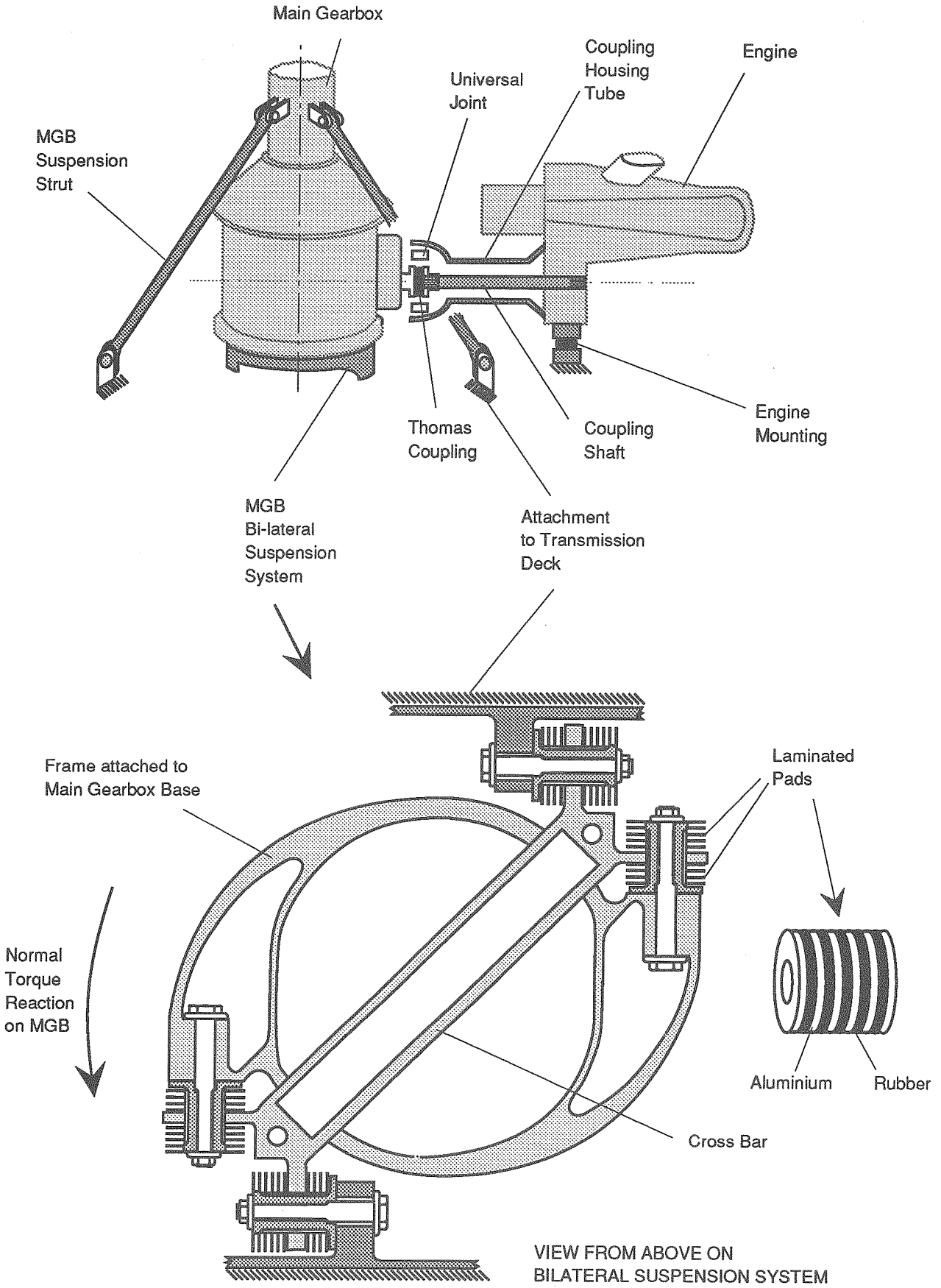


Fig 1

ENGINE AND MAIN GEARBOX MOUNTING



VIEW FROM ABOVE ON
BILATERAL SUSPENSION SYSTEM

Fig 2