

Figure1 Diagram showing location of terminal block A6X1 and associated earth connection on forward face of centre console in cockpit

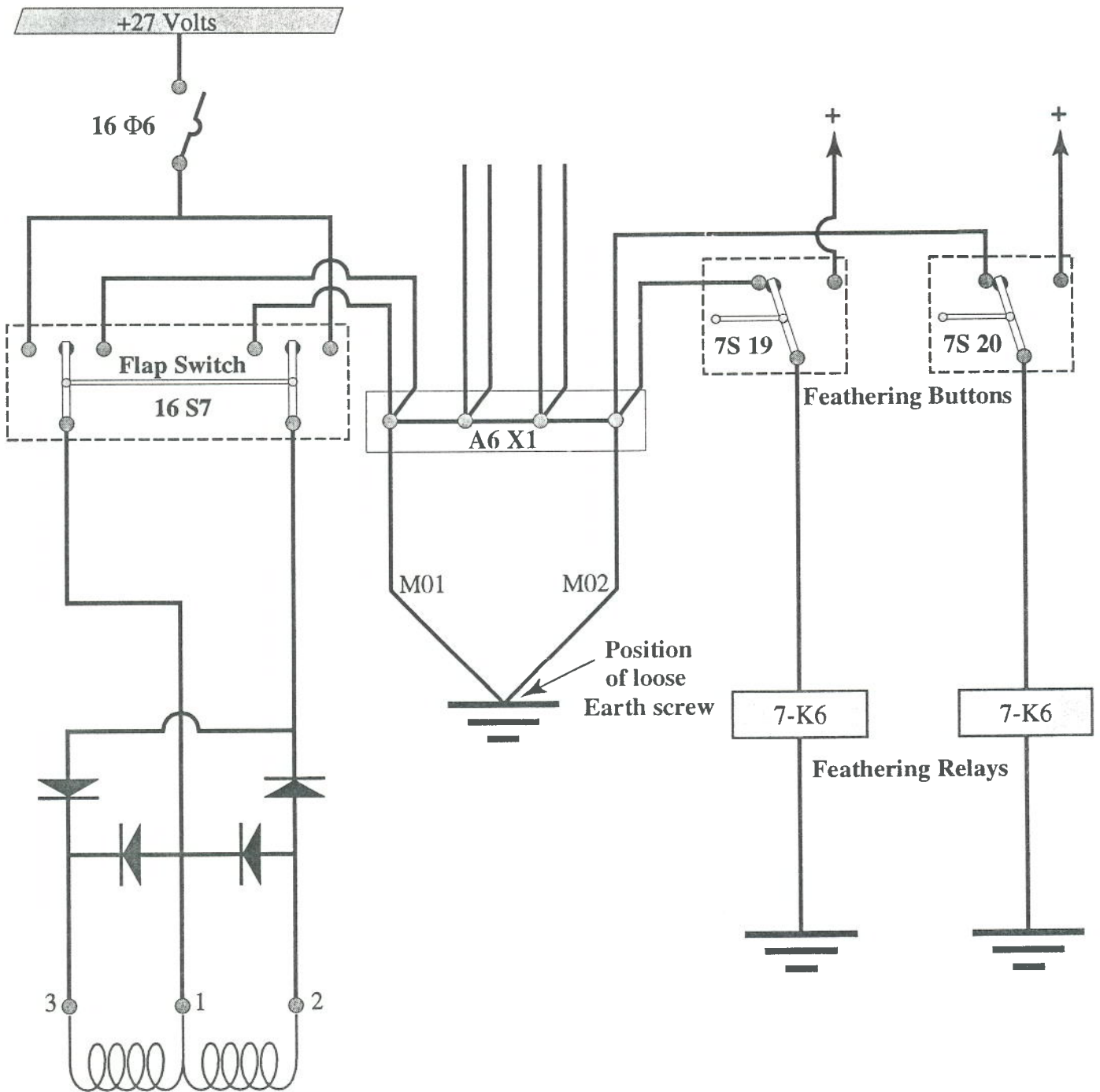


Figure 2

Showing schematic diagram of wiring connections between the flap selection and propeller feathering systems and the terminal block A6 X1 combined earthing point.



**Figure 3** Showing terminal block A6X1 with loose earthing screw arrowed