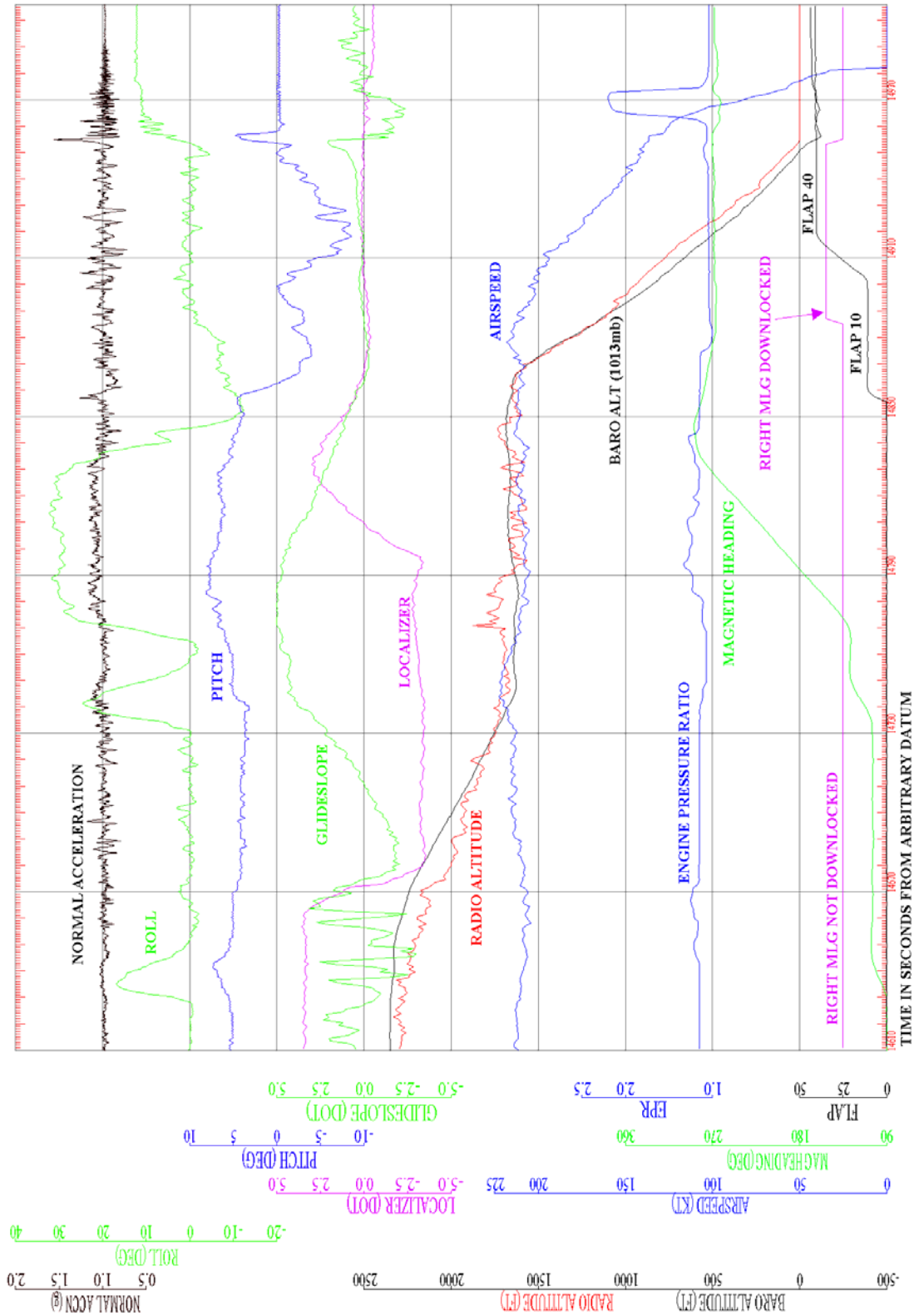
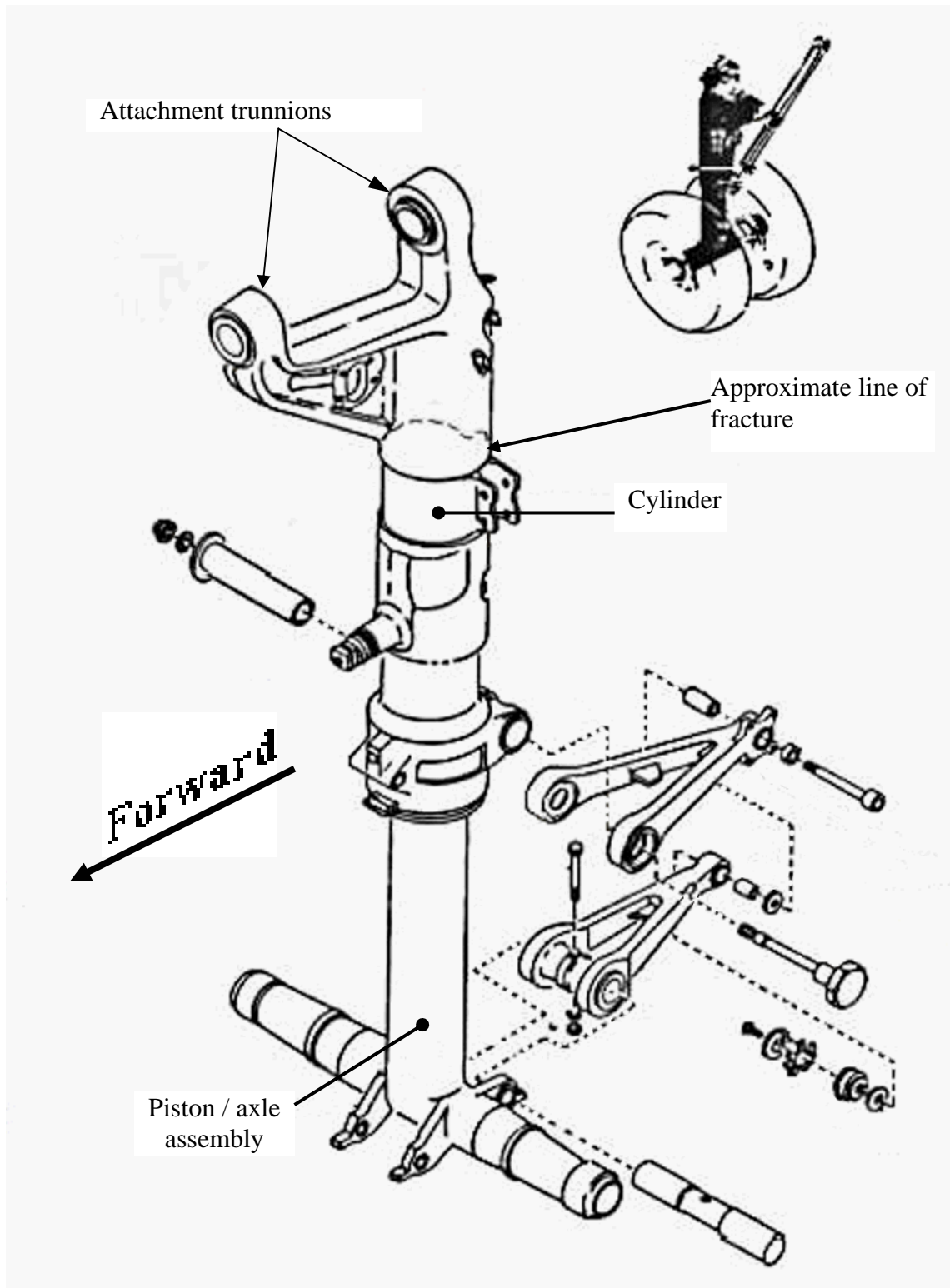


Appendix A



EC-FXI Flight Recorder Data



MD-80 Series main landing gear oleo strut

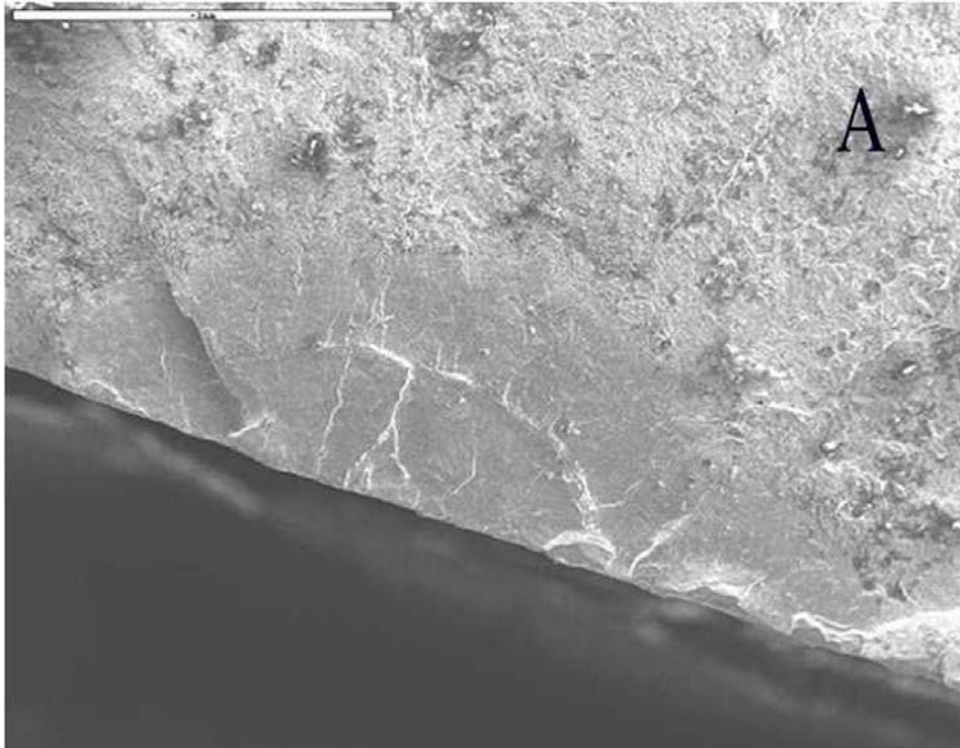
Appendix C

Fatigue origin

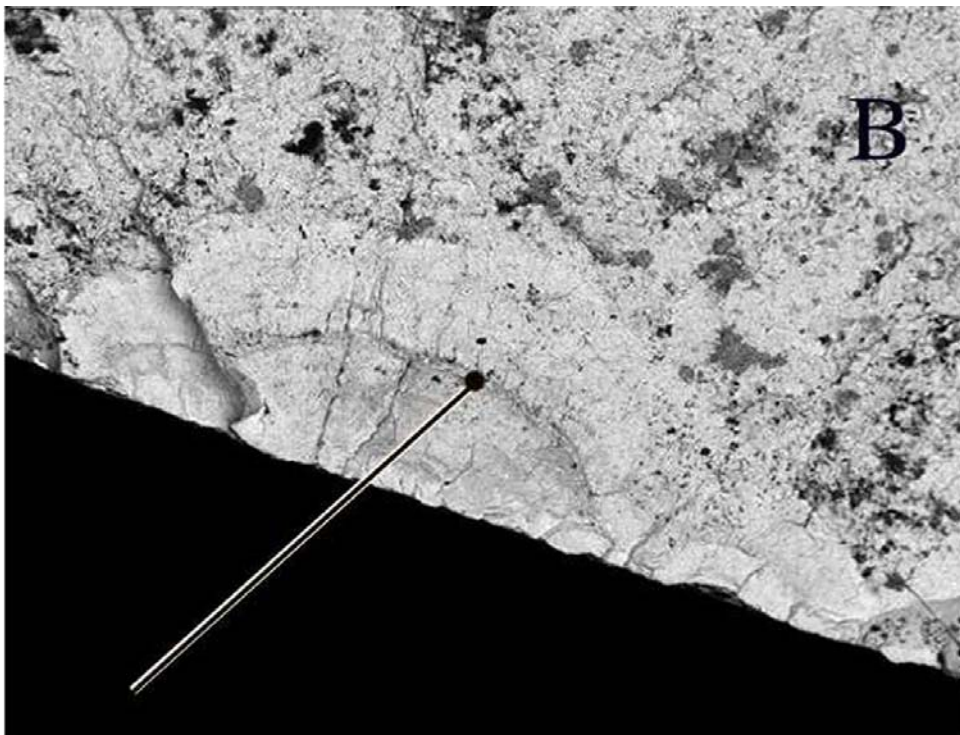


'As found' picture of upper half of fractured MLG cylinder showing the major fatigue crack (arrowed)

Appendix D



Scanning electron microscope secondary image of major fatigue crack



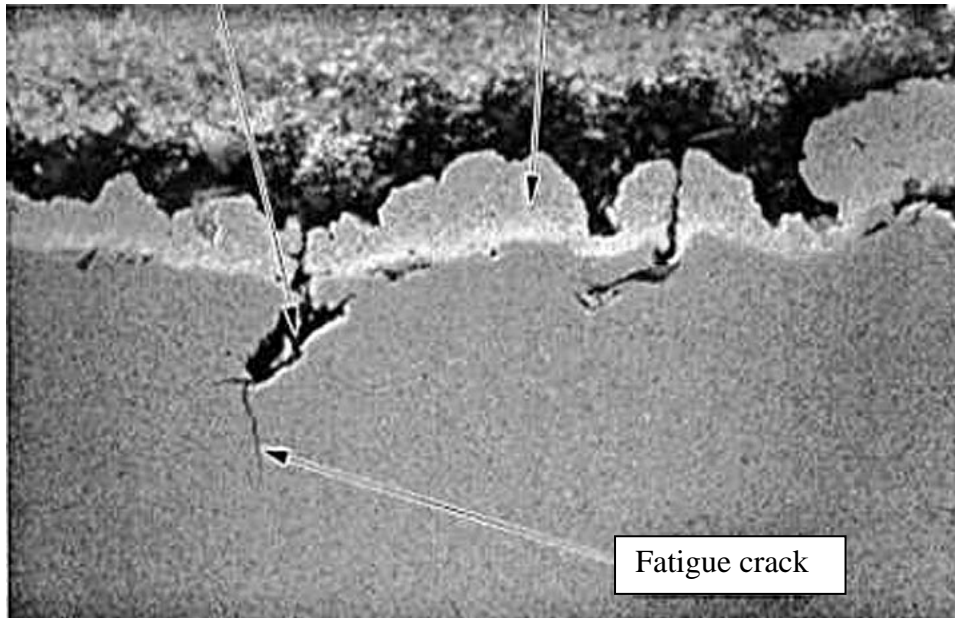
Scanning electron microscope backscatter image of major fatigue crack

Note clearly visible growth band (arrowed)
within which high levels of Cadmium were found

Appendix E

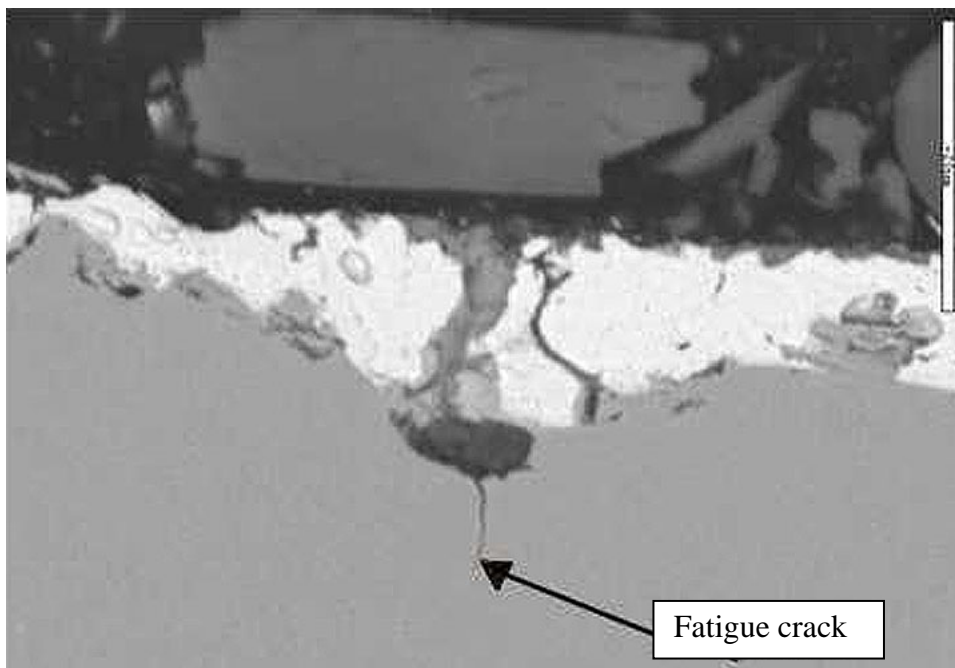
Void induced in steel surface
by grit blasting

Cadmium
plating



SEM photograph of the surface finish of the failed cylinder from G-DEVR

Note embryonic fatigue crack growing from imperfection



SEM photograph of the surface finish of the failed cylinder from EC-FXI

Note embryonic fatigue crack growing from imperfection
which is an embedded particle of Alumina grit