

11/89

Ref: EW/G89/08/13

Category: 1c

Aircraft Type and Registration: Socata ST.10 Diplomate, G-AZIB

No & Type of Engines: 1 Lycoming IO-360-C1B piston engine

Year of Manufacture: 1971

Date and Time (UTC): 19 August 1989 at 1705 hrs

Location: Nottingham Airport

Type of Flight: Private (pleasure)

Persons on Board: Crew - 1 Passengers -None

Injuries: Crew - None Passengers -N/A

Nature of Damage: Damage to left main landing gear and to left flap.

Commander's Licence: Private Pilot's Licence with IMC Rating

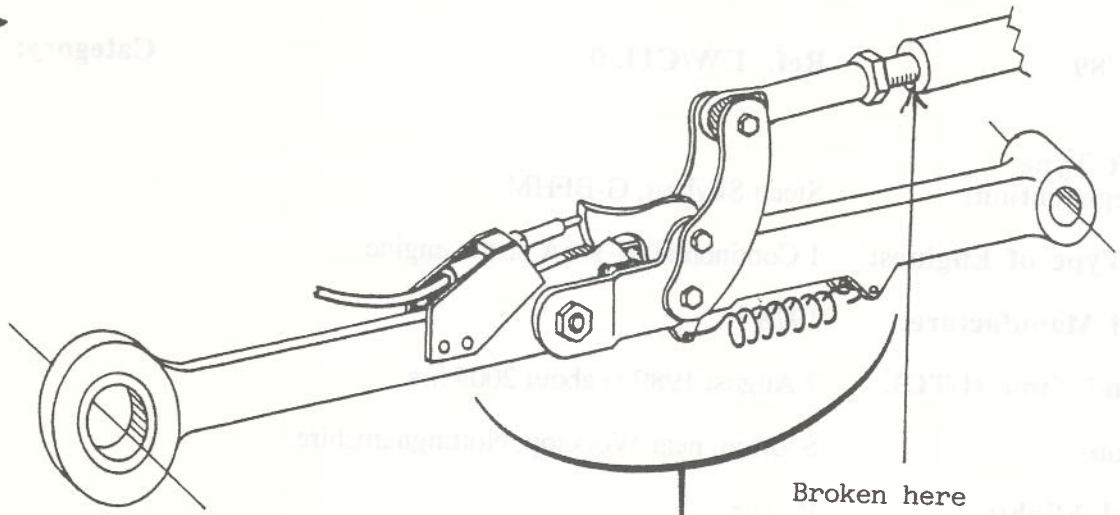
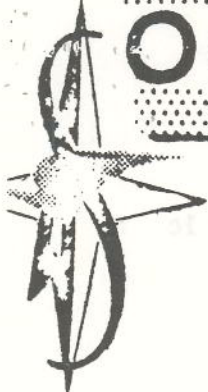
Commander's Age: 24 years

Commander's Total Flying Experience: 172 hours (of which 2 were on type)

Information Source: Aircraft Accident Report Form submitted by the pilot

The aircraft had taken off from Nottingham Tollerton Airport at 1625 hrs for some circuits and a local flight. Runway 21 was in use and there was a light south-westerly wind. After flying several circuits, the aircraft departed for the local area and returned at about 1700 hrs. to land on runway 21. During the landing roll, the left main landing gear slowly retracted. The aircraft departed the runway on the left, coming to rest on the grass.

Subsequent inspection of the aircraft showed that the threaded end fitting of the actuating rod assembly had broken (see diagram). This had allowed the mechanism to unlock and retract. Socata Service Bulletin No. 11 called for an inspection of this general area, including the threaded end fitting, at 25 hour intervals. At the time of the accident the aircraft had completed over 1700 hours. It is likely that this fitting had been installed at original build.



Broken here

