

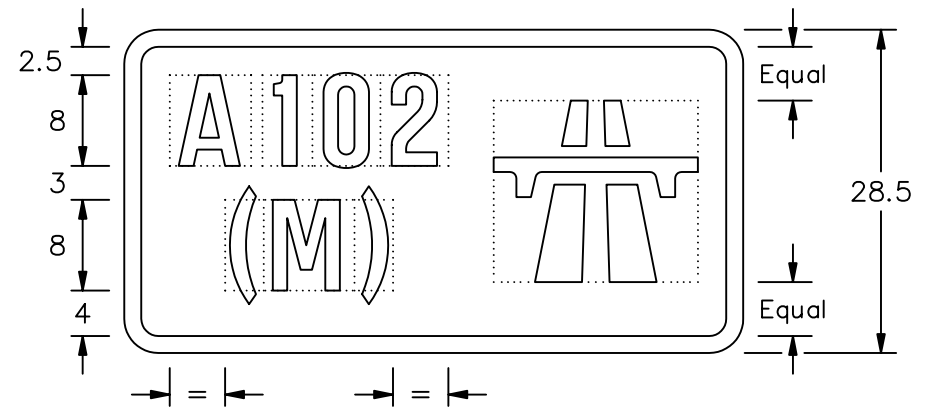
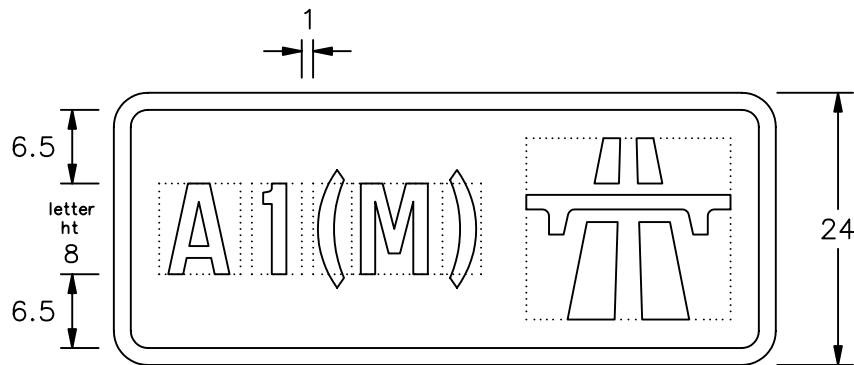
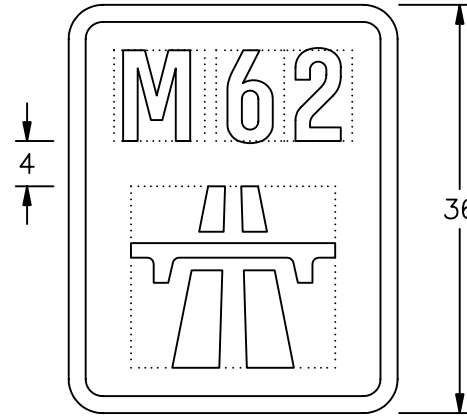
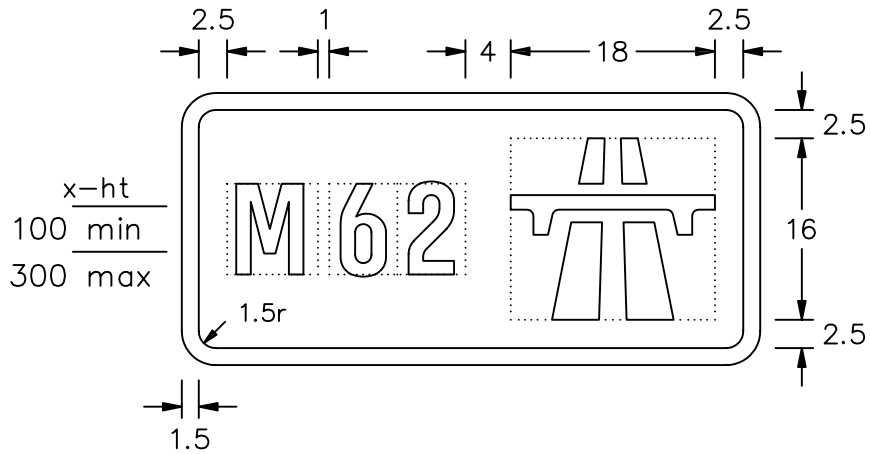
Drawing No.  
P 2901

Related Drawing  
S 55

Before using this drawing, confirm that it has not been superseded.

© CROWN COPYRIGHT

- NOTES: 1. The legend is from the Motorway alphabet at the x-heights shown.  
 2. Details of the motorway symbol are given on drawing S 55.  
 3. The tile outlines do not form part of the signs.  
 4. COLOURS: -  
 Background ----- BLUE  
 Legend, Symbol & Border --- WHITE  
 5. DIMENSIONS : x-heights are in millimetres, other dimensions are in stroke widths. (4sw = x-ht)



P2901

Department for  
**Transport**

Title: Motorway Regulatory Signs  
POINT AT WHICH MOTORWAY  
REGULATIONS START TO APPLY

Issue: Date: Drawn by: Dimensions:  
A: 6.7.94 S.P./R.M.  
B: 3.11.04 Approved by:  
C: R.M.

Dimensions:  
SEE  
NOTE 5

Drawing No.  
P 2901