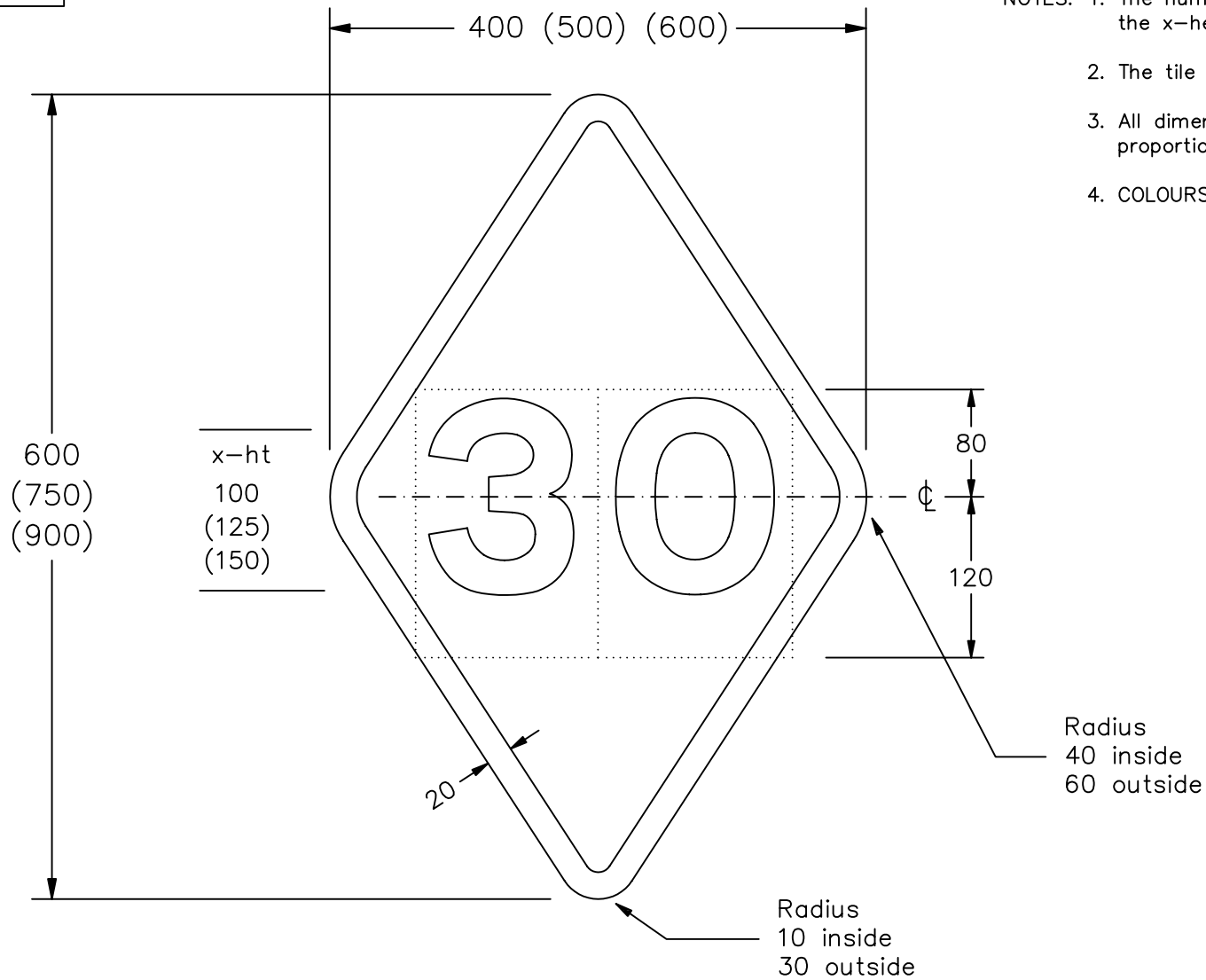


Drawing No.
P 976

© CROWN COPYRIGHT

- NOTES: 1. The numerals are from the Transport Heavy alphabet at the x-heights shown.
2. The tile outlines do not form part of the sign.
3. All dimensions for the 600mm high sign shall be varied proportionally for the other sign heights.
4. COLOURS : Background ----- WHITE
Numerals & Border --- BLACK



P976

Before using this drawing, confirm that it has not been superseded.

Department for
Transport

Title: Tramway Sign
MAXIMUM SPEED LIMIT FOR TRAMCARS
IN KILOMETRES PER HOUR

Issue: Date:
A: 15.11.04
B:
C:

Drawn by: R.M.
Approved by: R.M.

Dimensions:
MILLIMETRES

Drawing No.
P 976