

**DEFENCE
INFRASTRUCTURE
ORGANISATION**

**TECHNICAL ADVISORY SECTION (ROYAL
ENGINEERS) (TAS (RE))**

Headquarters Defence Training Estate
Blenheim Hall
Land Warfare Centre, Warminster, Wiltshire
BA12 0DJ

Tel: 01985 222434

FAX : 2259

Email: DE Ops DTE-HQEstDel8a

frank.compton251@mod.uk



RANGE ADVICE NOTE 3/12

See Distribution

Reference:

Our reference: 28-14-01

A. A&ER Vol.3 PAM 21 (JSP 482)

Date 27 Mar 2012

EOD DISRUPTOR WEAPON DANGER AREAS

1. Reference A provides danger area details for EOD equipments when used in training. This advance information is taken from Reference A pending final details being issued by DOSG that will be incorporated into JSP 403.
2. The information is provided for RAU where EOD training with disruptors is requested and for RAO where the use of such equipments may need to be added to the MOD Form 904. RSIT are copied in for information.

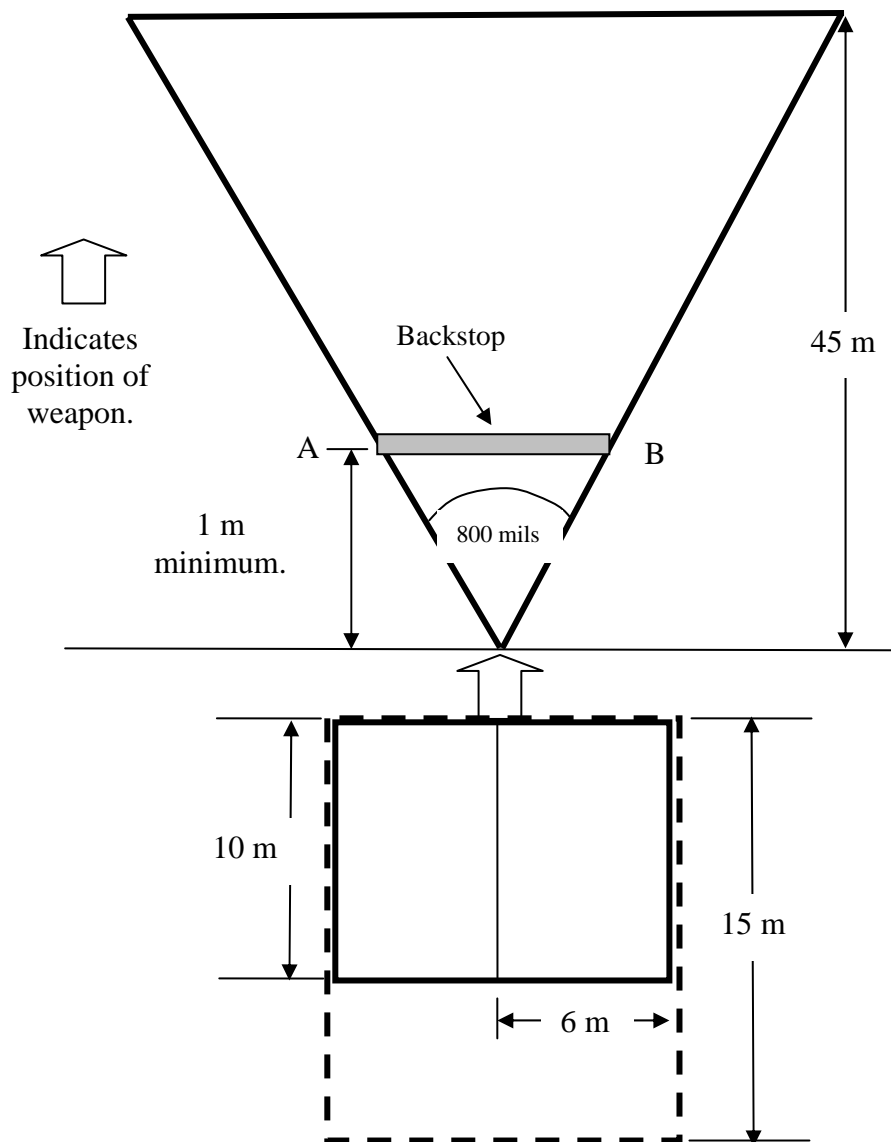
A handwritten signature in black ink, appearing to read 'F S Compton', written over a light blue circular stamp.

F S Compton
OC TAS (RE)

Distribution:

Information:

Sec DLRSC for RSIT
DTE Dep Comd
LTAR



Notes;

1. The larger area to the rear shown by dashed lines is the recoil danger area which need not be evacuated if the weapon is securely mounted on Wheelbarrow.
2. The smaller area to the rear shown by solid line applies only when a backstop is used. If a backstop is used to reduce the danger area it must be at least one sandbag or brick in thickness, cover the whole of the danger area across A – B vertically and horizontally and be at least 1 m from the weapon.

Figure 1 - Danger Areas for EOD Disruptor Weapon Injector EOD L4A1.

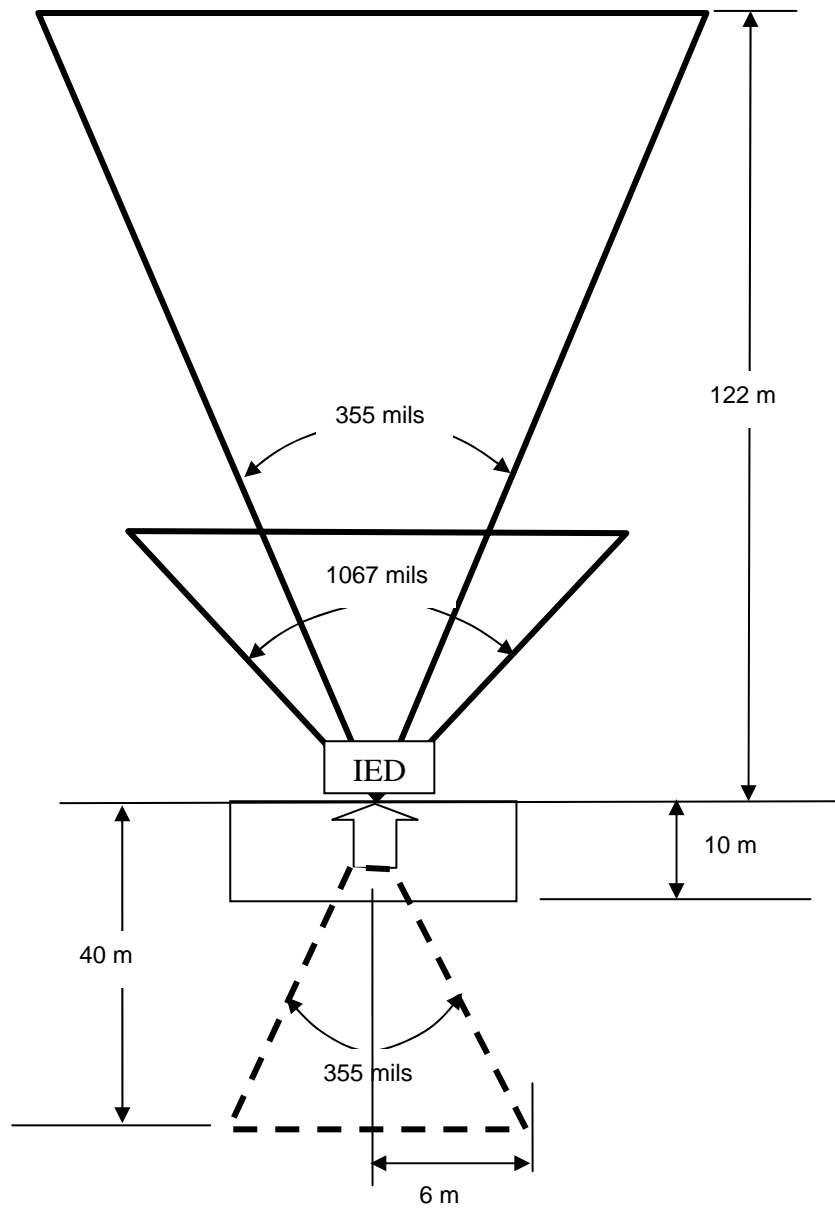


Figure 2 - Danger Areas for EOD Disruptor Weapons Injector EOD L2A1 & L3A1.