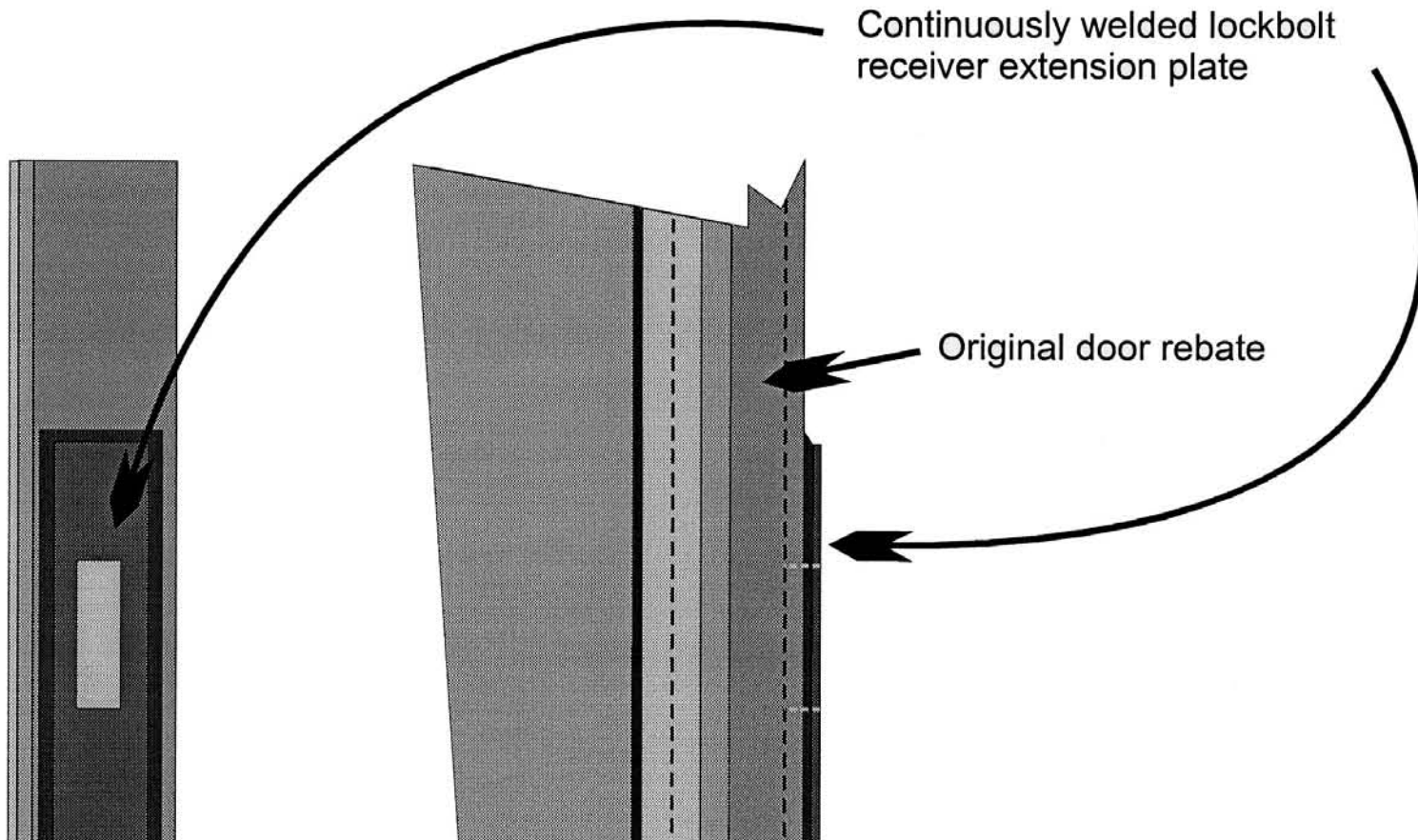
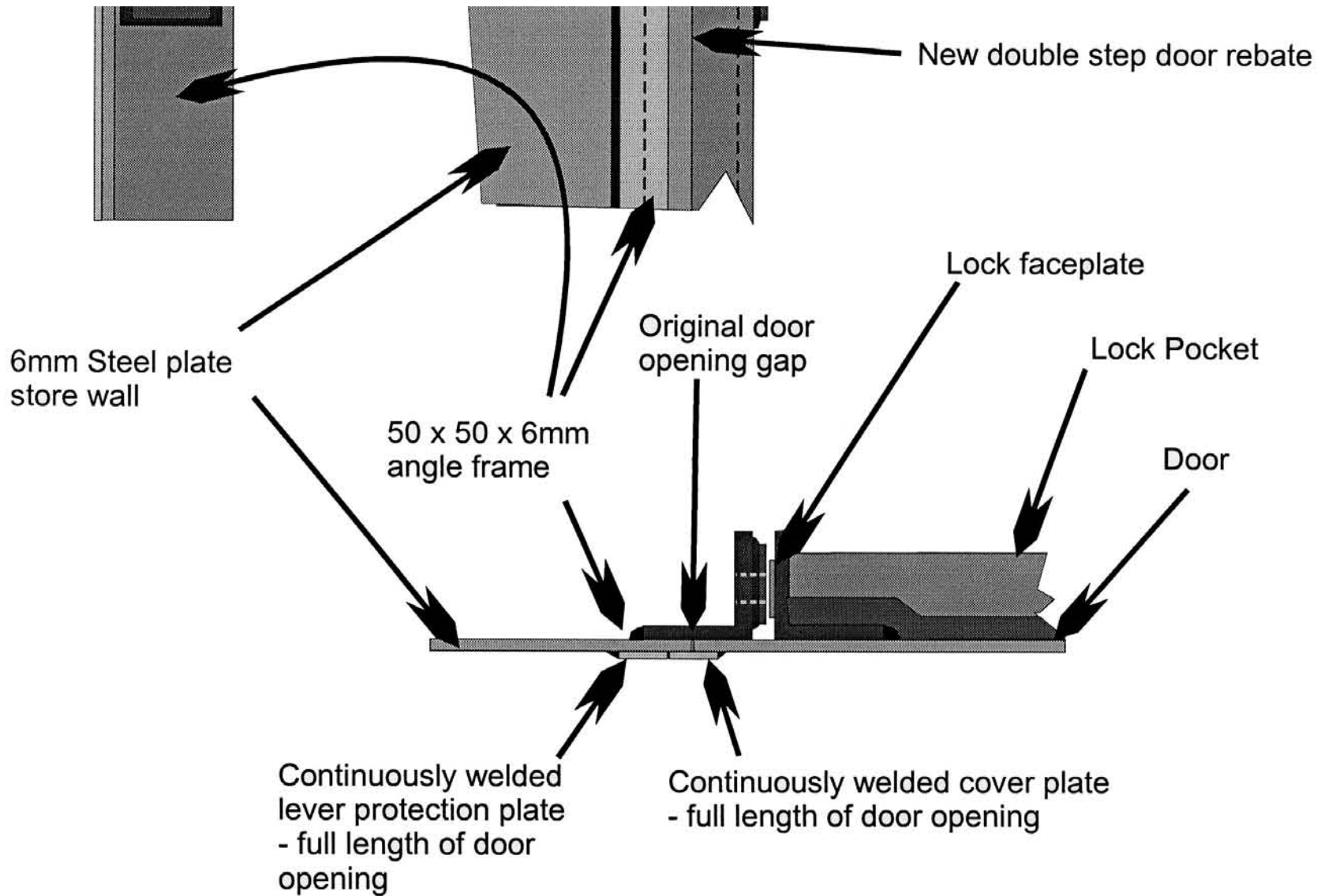


Illustration 19 Amendments required to fabrication of steel door and frame for fitting Chubb 3G227

END ELEVATION
STORE WALL SIDE

FRONT ELEVATION
STORE WALL





PLAN SHOWING DOOR IN CLOSED POSITION