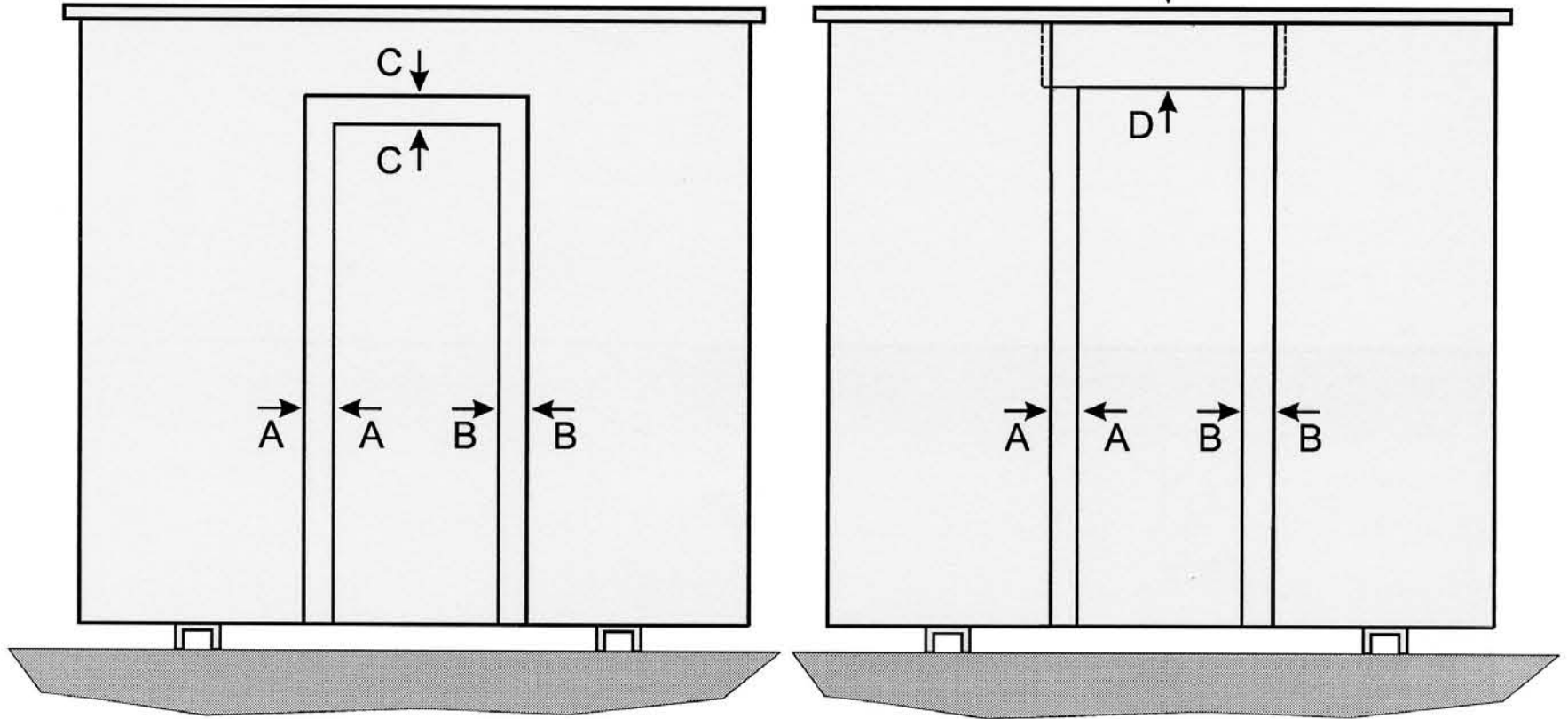


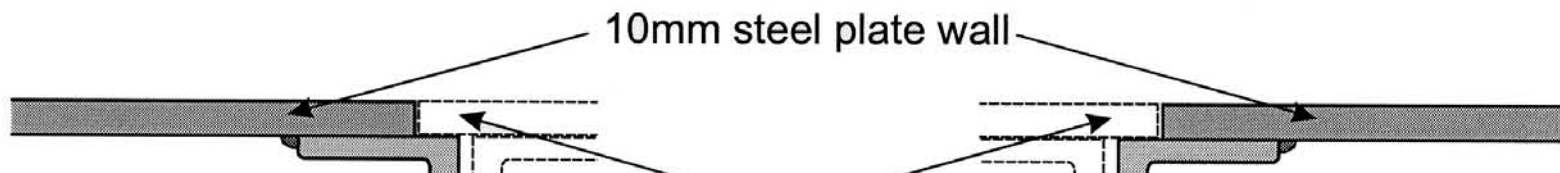
# Illustration No 17 Steel Armoury alternative designs for door opening

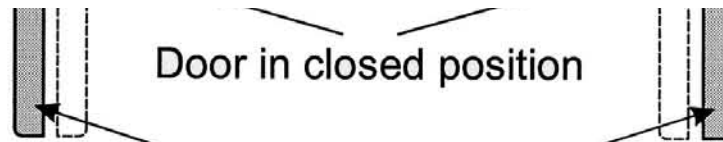
Front Elevations



Section on 'A - A'

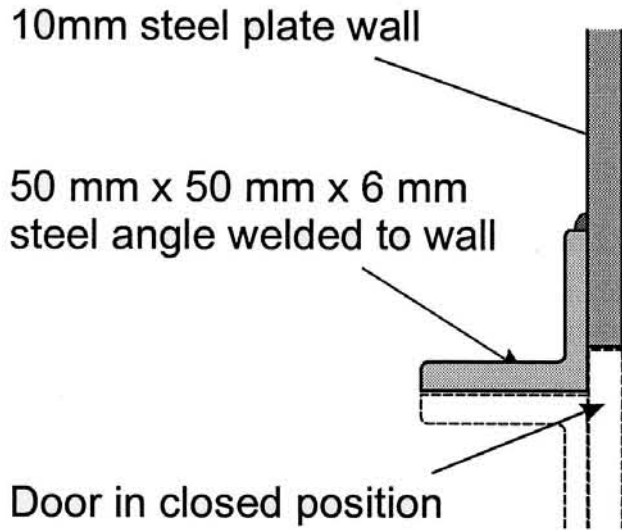
Section on 'B - B'





50 mm x 50 mm x 6 mm steel angle welded to wall

Section on 'C - C'



Section on 'D - D'

