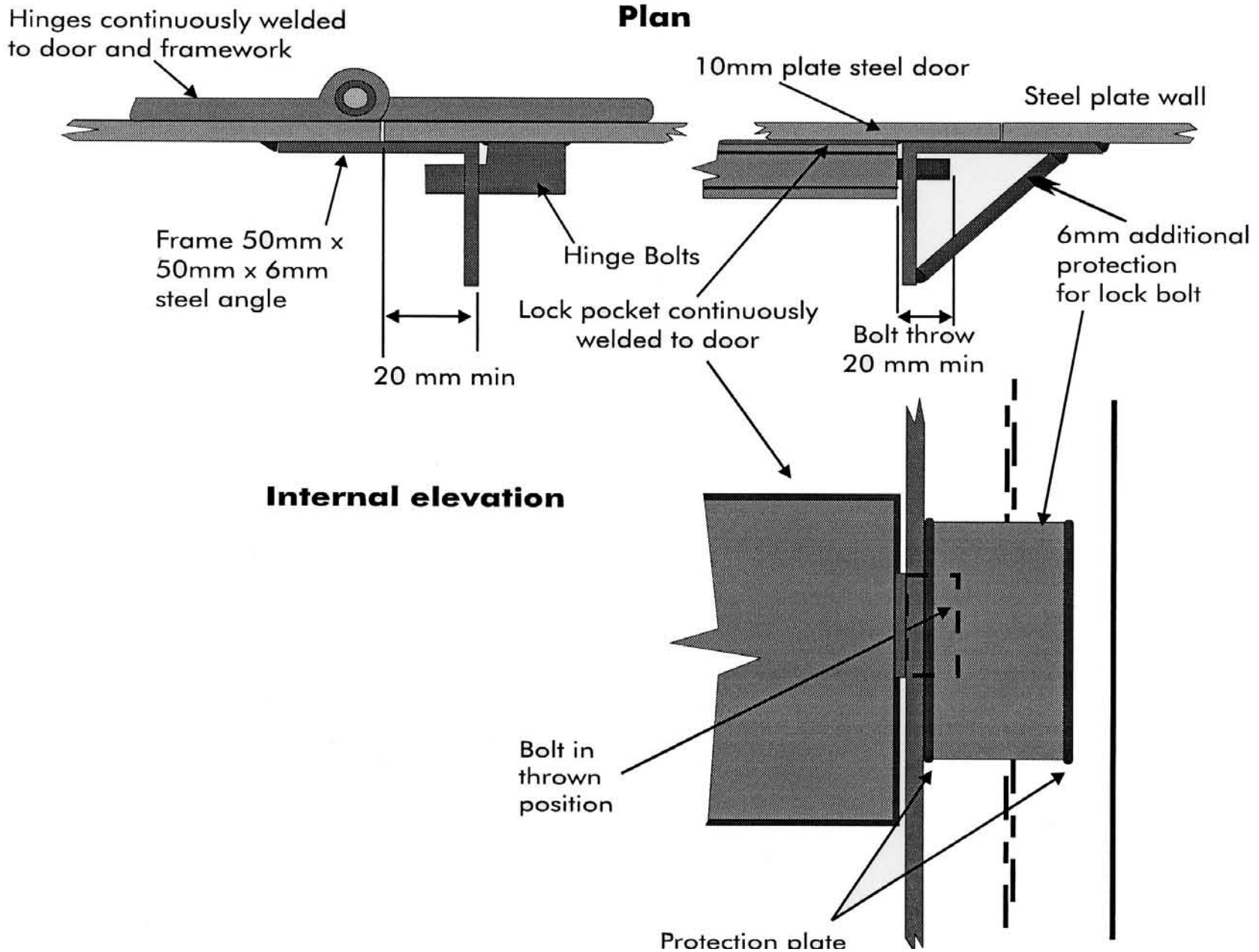


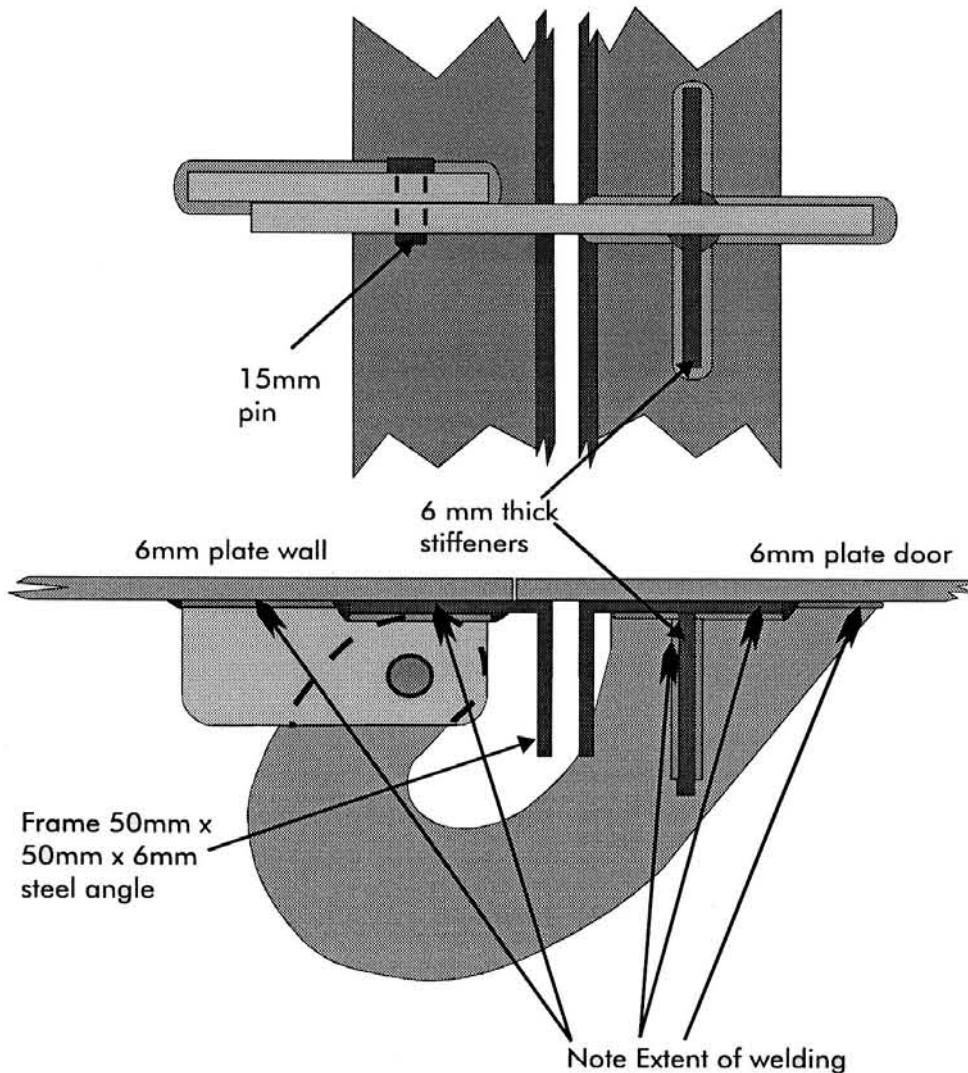
Illustration No 14 Steel Armoury/Door hinges - External Hinges and bolt end protector



welded to both
sides of angle

Arrangement for Internal hinges

Internal elevation



Plan