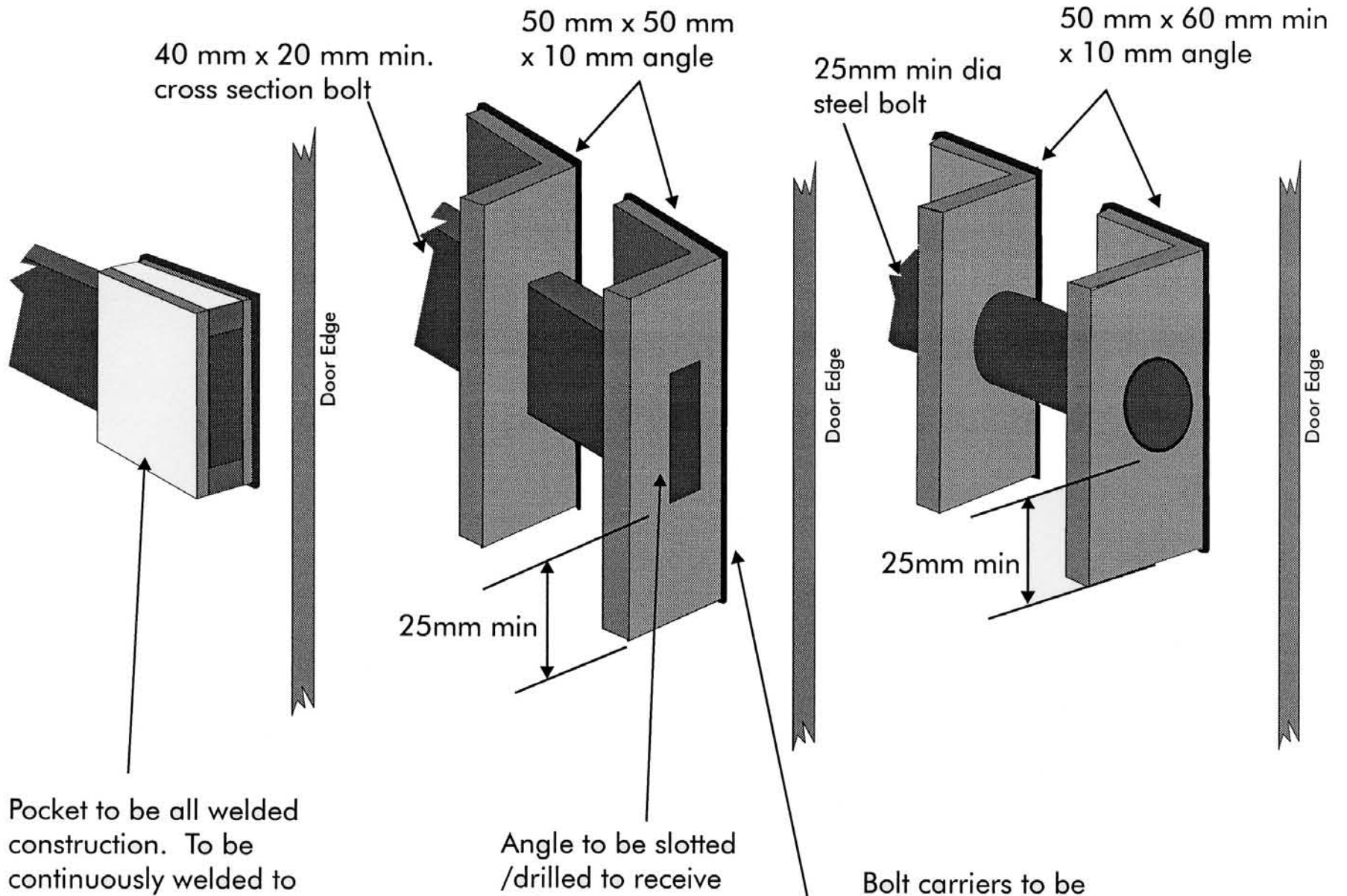


Illustration No 6 Examples of arrangements for driven boltwork

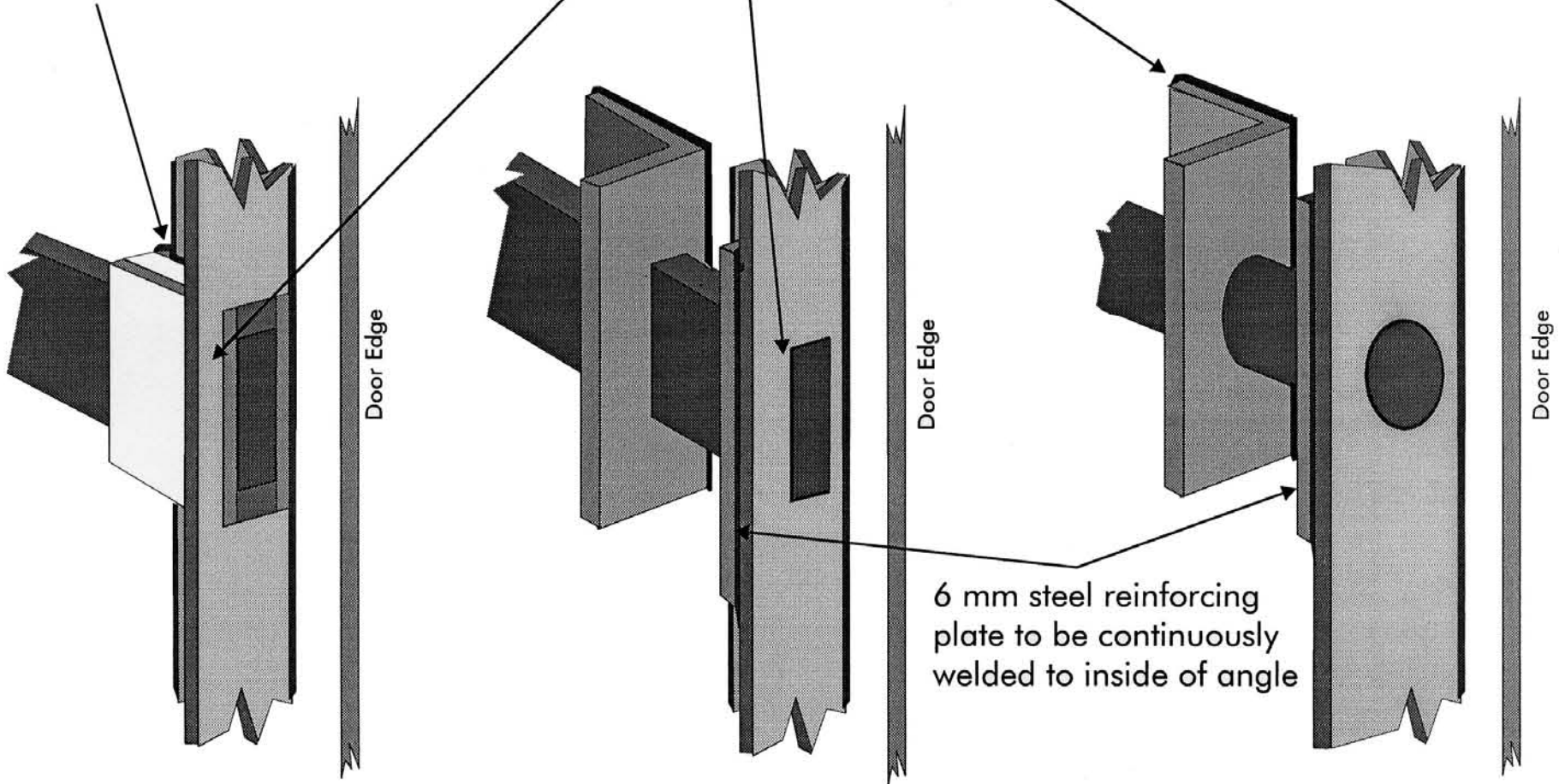
10mm Plate Door



the door
On a 6 mm door, the
weld to extend to
include the adjoining
portion of the angle

bolt or pocket.
Angle web must not
be cut through

continuously welded
to the inner surface
of the door.



**6mm Door with 50mm
x 50mm x 6mm angle**

**6mm Door with 50mm
x 60mm min x 6mm angle**

Illustration No 6 (Cont.) Examples of configuration for driven boltwork

(This illustration is for general explanation of the application of driven boltwork. It is not a mechanical proposal or specification)

Driving mechanisms and rails can be located at any convenient position

