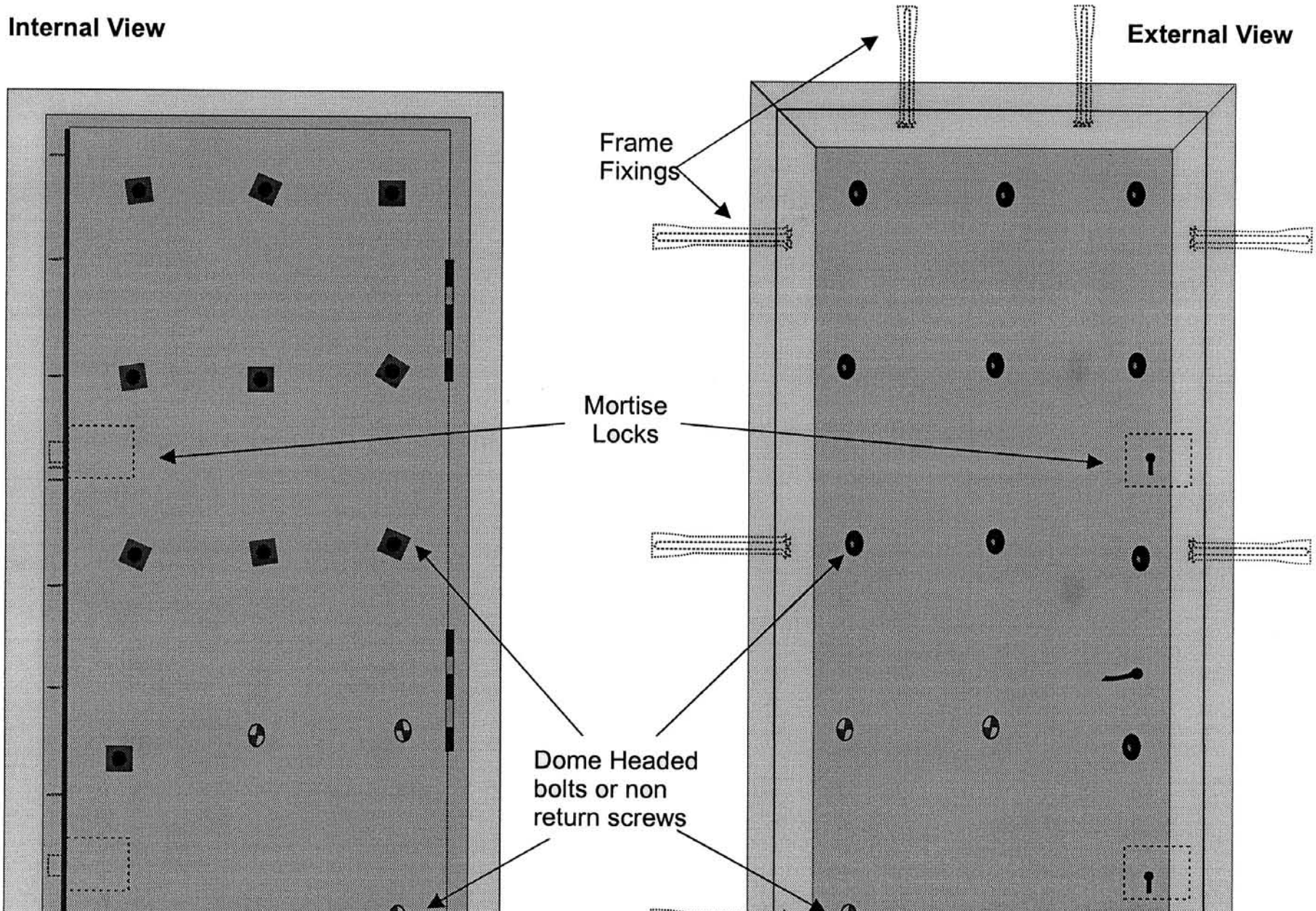
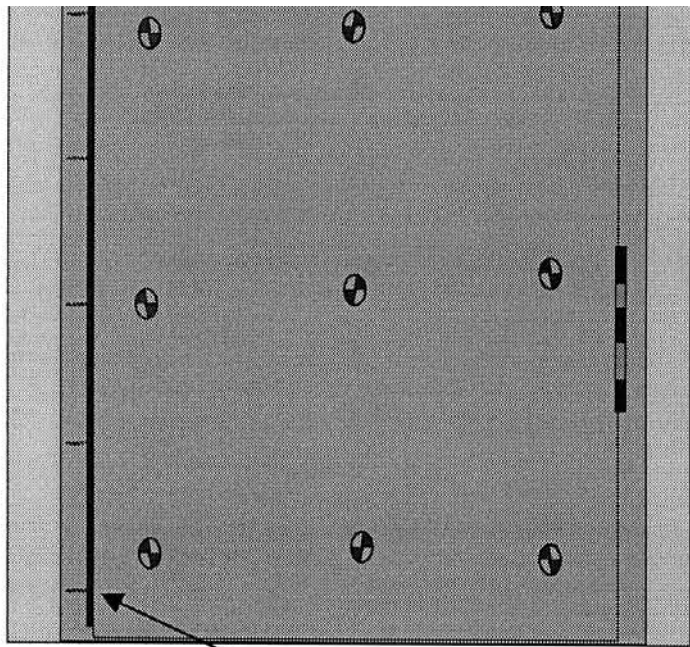


# Illustration 4 - Example of Metal cladding timber door (Both faces) Inward Opening

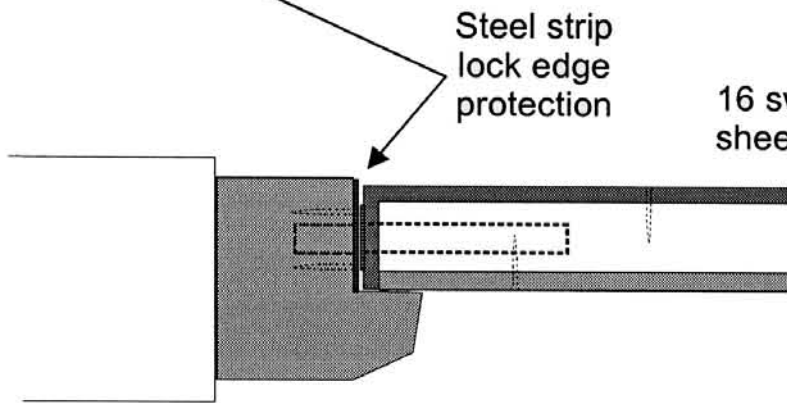
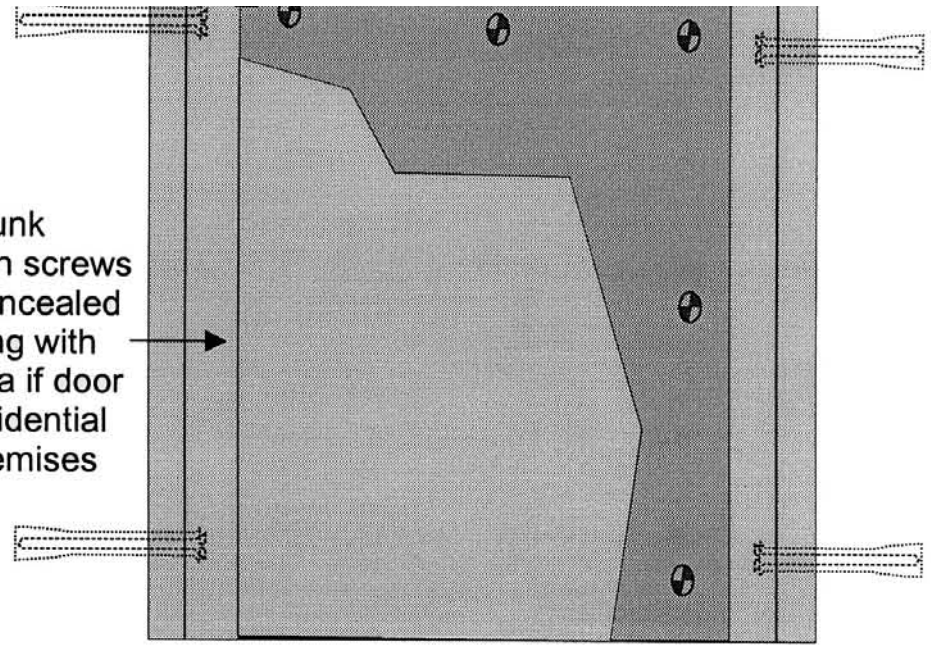
Internal View

External View



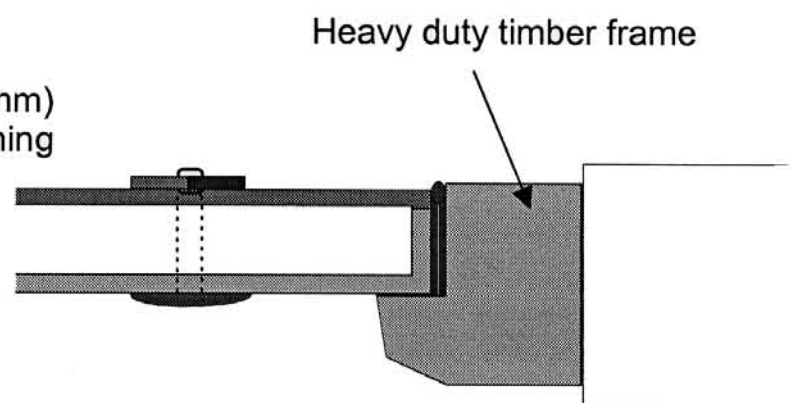


Countersunk  
Non-return screws  
can be concealed  
by covering with  
a thin facia if door  
is in a residential  
part of premises



Steel strip  
lock edge  
protection

16 swg (1.6 mm)  
sheet steel lining



Heavy duty timber frame

### Sectional View