



Key features:

- High Mobility Load Carrying Vehicle
- Multi-Role Capability
- Specialised Recovery Variant
- Max Speed 112 KPH
- 6 Litre V8 Engine

The Husky 4x4 Tactical Support Vehicle (TSV) is an armoured wheeled vehicle, providing Protected Mobility for Combat, Combat Support, Combat Service Support and specialist users of the British military, manufactured by Navistar Defence.

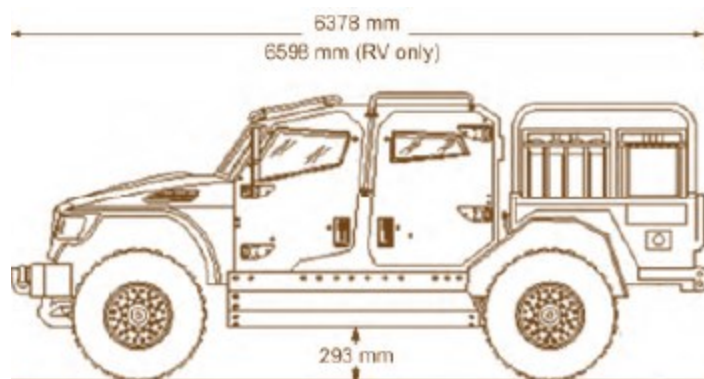
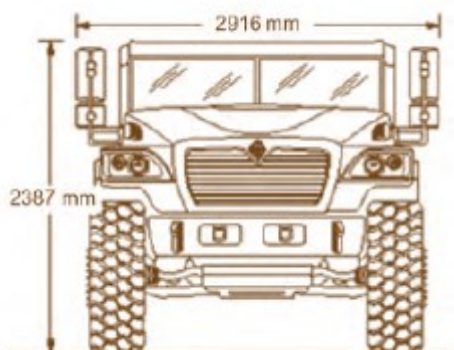
Husky carries a crew of two (driver and commander), with the capacity to carry a further two passengers, including a gunner or top cover sentry, plus cargo and/or specialist equipment on its rear flat bed.

Husky has a Protected Weapon Station, which affords Force Protection and improves survivability for the crew and passengers in contact with the enemy. In some roles it provides Direct Fire support to Dismounted Close Combat.

Variants available

- Utility Truck
- Heavy Weapon
- Command
- Recovery

Dimension	Metres
Max Length	6.400m
Max Width	2.916m
Max Height	2.500m
Ground Clearance	0.293m
Pickup Box	1.613 x 1.295m



DEFENCE EQUIPMENT SALES AUTHORITY

TACTICAL SUPPORT VEHICLE

Gross Weight	14,288 kg (max)
Unladen Weight	11,340 kg
Rear Axle Load	8,392 kg
Max Speed	112 kph
Fuel	Diesel
Average Range	Up to 700 km
Turning Circle	16.46 m
Fording Depth	1.06 m (max)
Approach Angle	52 degrees
Departure Angle	38 degrees
Engine	International® VT365, 6.0L V8
Transmission	Allison 2500SP
Drive	4 wheeled drive
Brakes	Full-hydraulic 4 wheel Discs
Diff Lock	Meritor
Doors	4 Protected Doors
Tyres/ Track	395/85R20
Suspension	Active Shock
Protection	Kinetic Energy & Blast Mine
Options	Command, Utility, Recovery, Heavy Weapons



Whilst every care has been taken to ensure the information provided is accurate, up-to-date and complete, neither the UK MOD nor any of its representatives accept any liability for any errors or omissions in the information. It is stressed that the information provided is not and will not be a contractual statement of the condition or quantity of items. No guarantee of the accuracy is either given or implied. This asset is subject to availability. The UK MoD reserves the right to withdraw this asset from the market. The UK MOD reserves the right to modify or upgrade this asset without notice. This asset is considered specially designed for military use. Contains public sector information licensed under the Open Government Licence v3.0. All images are MOD Crown Copyright 2021.